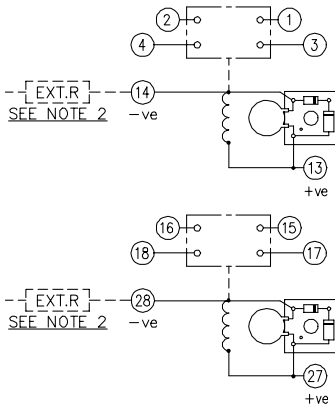


LOOKING ON FRONT OF RELAY



**NOT SUBJECT TO UPDATE  
ONCE COPIED / PRINTED  
OR DOWNLOADED**

2112W50125

KEY	CONTACT CONFIG.	OUTPUT CONTACT PAIR / TERMINAL No.							
○	make contact	TOP →	1-3	2-4	5-7	6-8	9-11	10-12	
⊠	break contact	BOT. →	15-17	16-18	19-21	20-22	23-25	24-26	
⊡	c/o contact	2M	M	M					
⊖	ext. conn	1M 1B	M	B					
⊕	plug bridge - shorting	2B	B	B					
⊙	metering point	2M(HD)	M+	M+					
⊖	5Kv barrier	1M 1B(HD)	M	+B					
⊡	test socket - shorting	1M(HD) 1B	M+	B					
⊙	plug & socket	1M(HD) 1B(HD)	M+	+B					
		2B(HD)	+B	+B					
		1M(HD) 1M	M+	M					
		1B 1B(HD)	B	+B					

NOTE:

- HEAVY DUTY CONTACTS ARE FITTED WITH BLOWOUT MAGNETS AND ARE POLARITY CONSCIOUS. SEE TABLE FOR +VE TERMINAL.
- 125V & 220/240 VERSIONS HAVE EXTERNAL RESISTORS FITTED IN THE COIL CIRCUITS.  
125V = 1K5 (Nom.) 18W.  
220/240V = 3K2 (Nom.) 18W.  
RESISTORS ARE SUPPLIED WITH THE RELAY

FRAME REFERENCE: E2FAQQ.

FRAME TERMINAL BLOCK ASSY: -

ASSEMBLY INSTRUCTIONS: -

TYPICAL ASSEMBLY DRAWING 2995G10032.

AT INDICATED POSITIONS FIT AS FOLLOWS:

T - FIT TRIP ISOLATION CONTACT 2995B10053

S - FIT STANDARD CONTACT 2995B10054

SECURE CONTACTS USING FIXING SCREW

2109F99009.

POSITIONS SHOWN BLANK ARE UNUSED

2	T	T	T	1
4	T	T	T	3
6				5
8				7
10				9
12				11
14	S	S	S	13
16	T	T	T	15
18	T	T	T	17
20				19
22				21
24				23
26				25
28	S	S	S	27

VIEW FROM NUMBERED SIDE OF BLOCK

OUTER TERMINAL BLOCK ASSY: -

ASSEMBLY INSTRUCTIONS: -

TYPICAL ASSEMBLY DRAWING 2995G10029.

AT INDICATED POSITIONS FIT AS FOLLOWS:

S - FIT STANDARD CONTACT 2995B10051

HC - FIT 'HEAVY CURRENT' KIT 2995G10030

WHERE ⊖-⊖ IS SHOWN FIT CT SHORTING

KIT 2995G10031

POSITIONS SHOWN BLANK ARE UNUSED.

ALL POSITIONS FIT SCREW 2106F12506.

2	T	T	T	1
4	T	T	T	3
6				5
8				7
10				9
12				11
14	S	S	S	13
16	T	T	T	15
18	T	T	T	17
20				19
22				21
24				23
26				25
28	S	S	S	27

VIEW FROM INSIDE FACE

Copyright © 2001 VATECH REYROLLE ACP Ltd. Hebburn

Title: WIRING DIAGRAM & TERMINAL BLOCK FOR XR205D RELAY IN EPSILON E2 CASE.			First used on:		
2 RDW 29/9/03 MN112/2591			Similar Articles:		
1 22/06/01			Supersedes:		
ISSUE	DATE	MOD.No.	Original Scale:	Drg.No. <b>2112W50125</b>	
DRAWN:	A.L.A.W.	CHECKED:	APPROVED: R.D.WATSON	DATE: 17/07/02	E:
			OPS:		