


Installation Instructions



⚠ DANGER

Hazardous voltage. Will cause death or serious injury.

Turn off and lock out all power before working on the circuit breaker.

Replace the covers and shields before power supplying the circuit breaker is restored.



SAFETY INSTRUCTIONS

Breaker Types
E2(-A), E4(-A), E6(-A), HE4(-A), HE6(-A), CLE(-A), ED2, ED4, ED6, HED4, HED6, CED6, EFF, EFC

NOTE: This instruction sheet outlines the recommended installation procedure.

1. Turn power off supplying device before installing kit.
CAUTION: Make certain that the breaker operating handle is in the "OFF" position before proceeding.
2. Remove wire terminals from breaker.
3. Select proper rear connecting stud assembly as required for line terminals, Fig. 3 and load terminals, Fig. 1.
4. Align rear connecting stud with breaker terminals and secure rear connecting stud to breaker terminals with #12-24 screws, #12 lockwashers, and #12 flatwashers.
5. Install line shields on line side of breaker, Fig. 3.
6. Install (2) 3/8-16 silver finished brass nuts on the threaded end of each rear connecting stud.

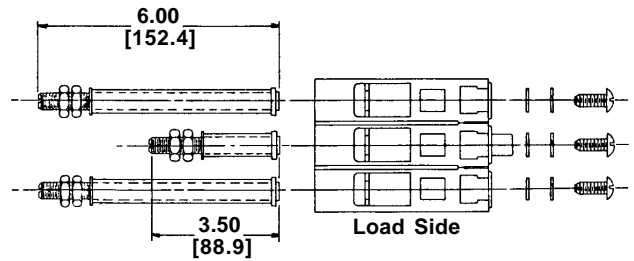
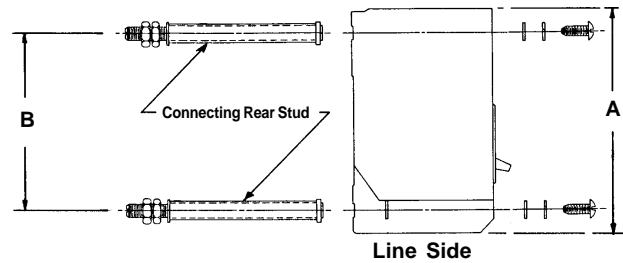


Fig. 1



BRK'R	DIM. "A"	DIM. "B"
E	6.33 [160.8]	5.03 [127.7]
CLE	9.58 [243.3]	8.28 [210.3]

Fig. 2

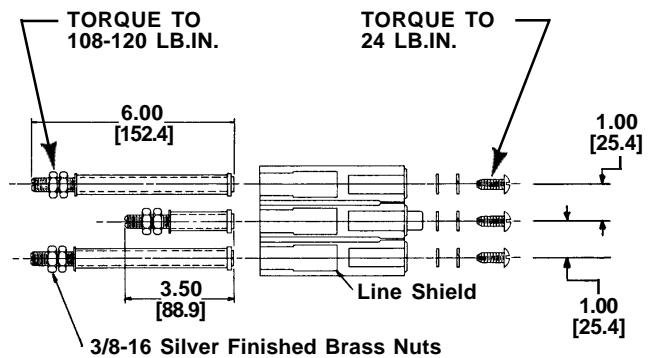


Fig. 3