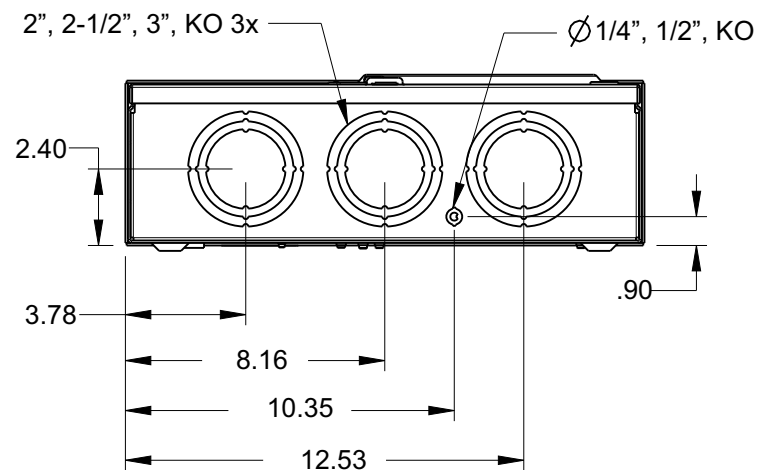
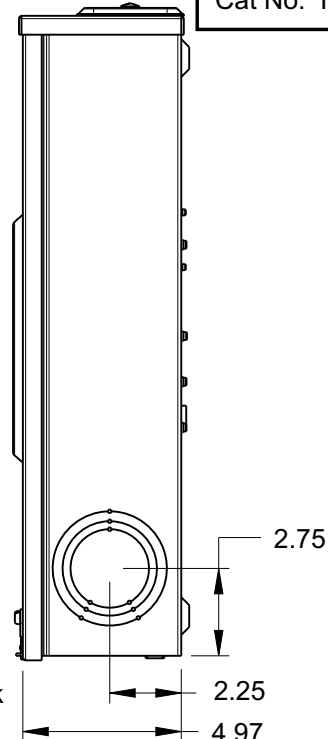
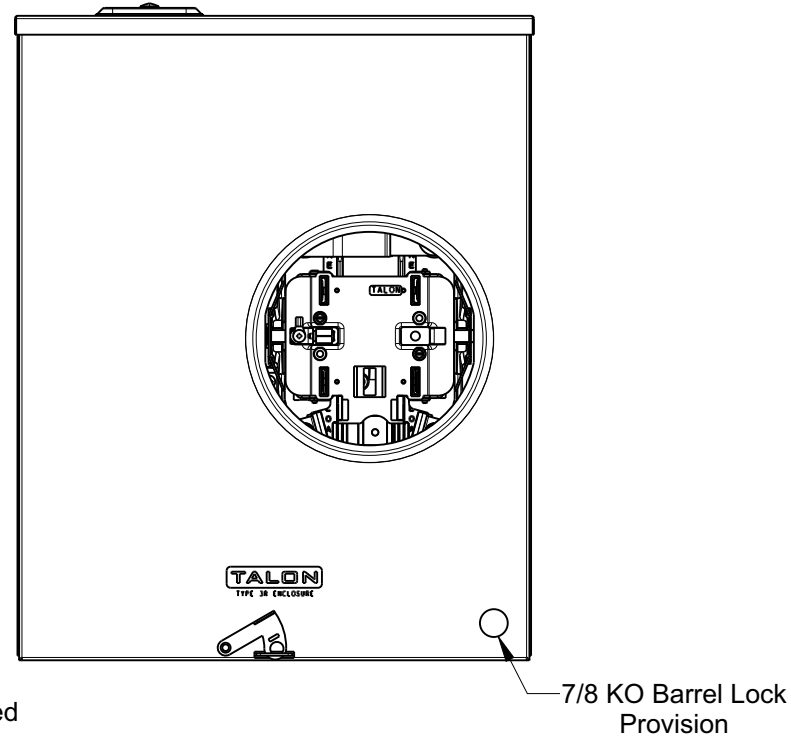
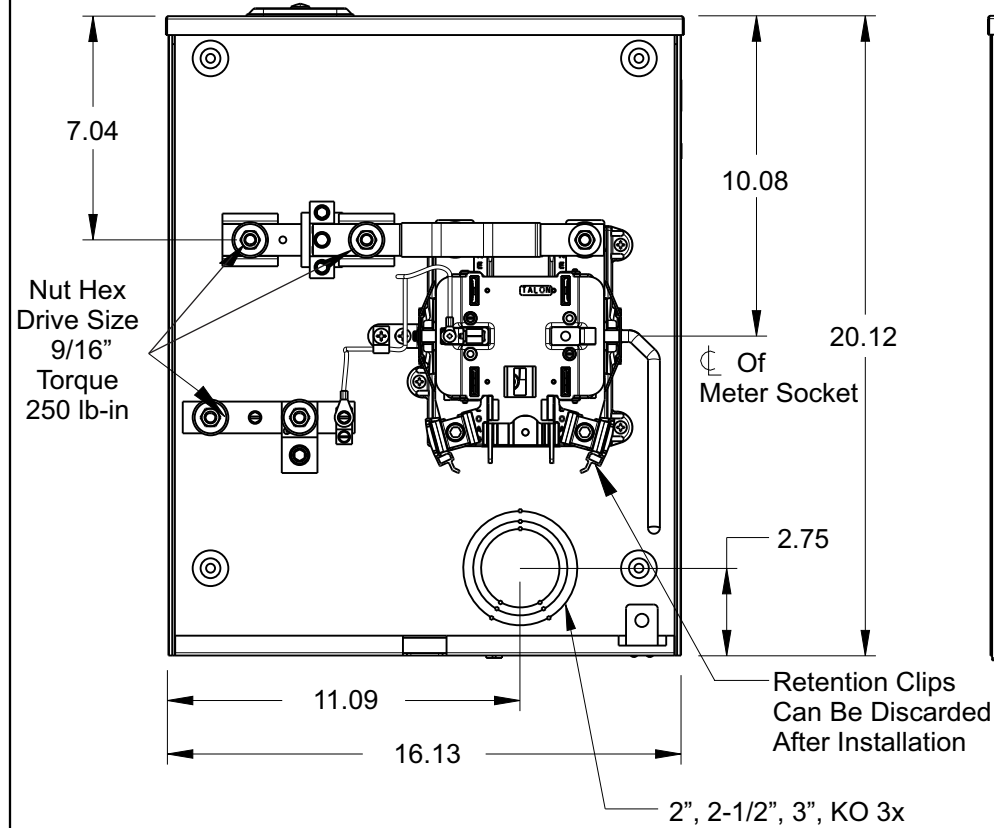
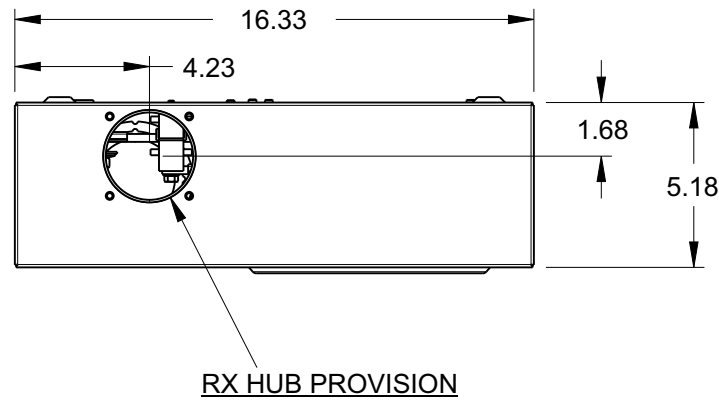


# Catalog Number: 41305-02GP

## Features and Ratings

- Ringless Type Meter Socket
- 200A Continuous, 250A Max.
- Outdoor Enclosure (NEMA Type 3R)
- Aluminum Enclosure
- 1 Phase, 3 Wire, 600V AC
- 5 Jaw, 9 O'clock 5th Jaw
- HQ Clamp Jaw Lever Bypass Meter Socket
- For Underground Service Only
- RX Hub Opening With Coverplate Installed
- One Ground Lugs
- 7/8" Barrel Lock Provision



### Accessories

Meter Opening Cover Plate

Cat No: H39968

#### RX HUB KITS

Cat No: H38597-2 (1.25")

Cat No: H38598-2 (1.50")

Cat No: H38599-2 (2.00")

Cat No: H38600-2 (2.50")

#### RX HUB KITS

Cat No: EC38597 (1.25")

Cat No: EC38598 (1.50")

Cat No: EC38599 (2.00")

Cat No: EC38600 (2.50")

#### HUB COVER PLATE

Cat No: H38595-1

#### GROUND LUG KIT

H6509991 #14-2 45 LB-IN

#### SHIELD ASSEMBLY WITH

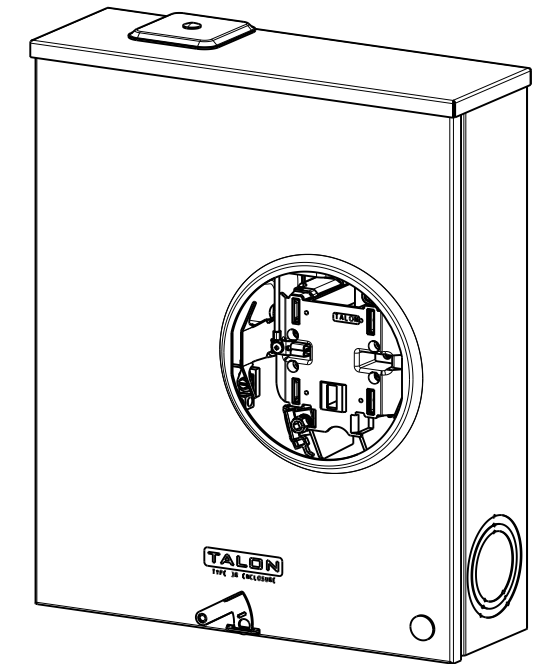
#### 5TH JAW

Cat No: H35815-5

### Lugs, Wire Sizes and Torques

LOCATION	PART NO.	HEX DRIVE SIZE	WIRE SIZE	TORQUE
LINE	H55890-1	9/16	#6 AWG-350 kcmil	275 LB-IN
LINE	H55890	9/16	#4 AWG-350 kcmil	325 LB-IN
LINE	H58022	9/16	(2) #6 AWG-250 kcmil	275 LB-IN
LOAD*	—	External 1/2" Internal 5/16"	#6 AWG - 350 kcmil	275 LB-IN
NEUTRAL*	H55890-1	9/16	#6 AWG-350 kcmil	275 LB-IN
NEUTRAL	H55890	9/16	#6 AWG-350 kcmil	325 LB-IN
NEUTRAL	H58022	9/16	(2)#6 AWG-250 kcmil	275 LB-IN
GROUND*	6509991		#14 - 2/0 AWG	40 LB-IN

\* indicates factory installed connectors



**TALON**  
Meter Socket

Description:  
**200A Cont, 5 Jaw, HQ5SW, 600V AC,  
Aluminum Enclosure**