

7XV72 Test switch



Fig. 1
7XV72 test switch

Application

The test switch serves in the testing of protection devices using the secondary injection test sets 7VP15 (Omicron CMC 56) or 7VP48/49.

The following versions are available:

- For feeder protection without an open starpoint, in a surface mounting case or in a flush mounting case
- For feeder protection without an open starpoint, and with additional contacts in a flush mounting case
- For a 3-winding transformer differential protection, in a flush mounting case
- For feeder protection with an open starpoint and independent switchable trip and c.t. circuits in a flush mounting case.

The test device can be used with auxiliary supplies ranging from 24 V to 250 V DC. This makes selection between varying power supply models unnecessary.

Construction

The test switch 7XV72 is housed in a standard metal case 7XP20 size $1\frac{1}{6}$. The 7XV7200-0 A00 can be ordered for flush-mounting or surface-mounting case. The other version is only available in a flush-mounting case.

Mode of operation

The 7XV72 test switch serves for testing protection devices including C.T. circuits and command contacts. With the help of the switches located on the front side, the current and voltage inputs as well as the circuits of the protection device to be tested are interrupted and applied to the plug-in connector located on the front side.

Via this plug-in connector currents and voltages can be fed by an injection test set and the different commands and indications can be tested.

The test position is indicated by a red LED on the front side as soon as the switch is in this position.

Test Systems

7XV72 Test switch

Technical data

Auxiliary voltage

Rated auxiliary voltage V_{aux}	24 V DC (-20 %) to 250 V (+15 %)
Power consumption of a lit LED	
at 24 V DC	appr. 150 mW
48 V DC	900 mW
60 V DC	1200 mW
110 to 250 V DC	900 mW

Cam switch

Rated operating voltage V_N	380 V AC
Rated operating current I_N	6 A
DC switching capacity	
at 24 V DC	20 A
48 V DC	12 A
60 V DC	4.5 A
110 V DC	1 A
220 V DC	0.4 A

Short time load capacity	
for 1 s	155 A
10 s	60 A

Pushbutton (only 7XV7208)

Rated operating voltage V_N	250 V AC
Rated operating current I_N	6 A
DC switching capacity	
at 60 V DC	5 A
110 V DC	2 A
220 V DC	0.5 A

Construction

Case, dimensions	7XP20 (1/6 wide, see dimension drawings)
Weight	appr. 3.4 kg

Selection and ordering data

Designation	Order No.
7XV72 test switch	7XV20 □ - 0□A00
Version	
without open starpoint for feeder protection	0
with open starpoint for feeder protection	1
for 3-winding transformer differential protection	2
without open starpoint for feeder protection and with additional contacts (as compared to the version "0" in the 7th position)	7
with open starpoint and independent switchable trip and C.T. circuit for feeder protection	8
Construction	
in 7XP20 1/6 surface mounting case	B
(only possible in combination with a "0" in the 7th position)	
in 7XP20 1/6 flush mounting case	C

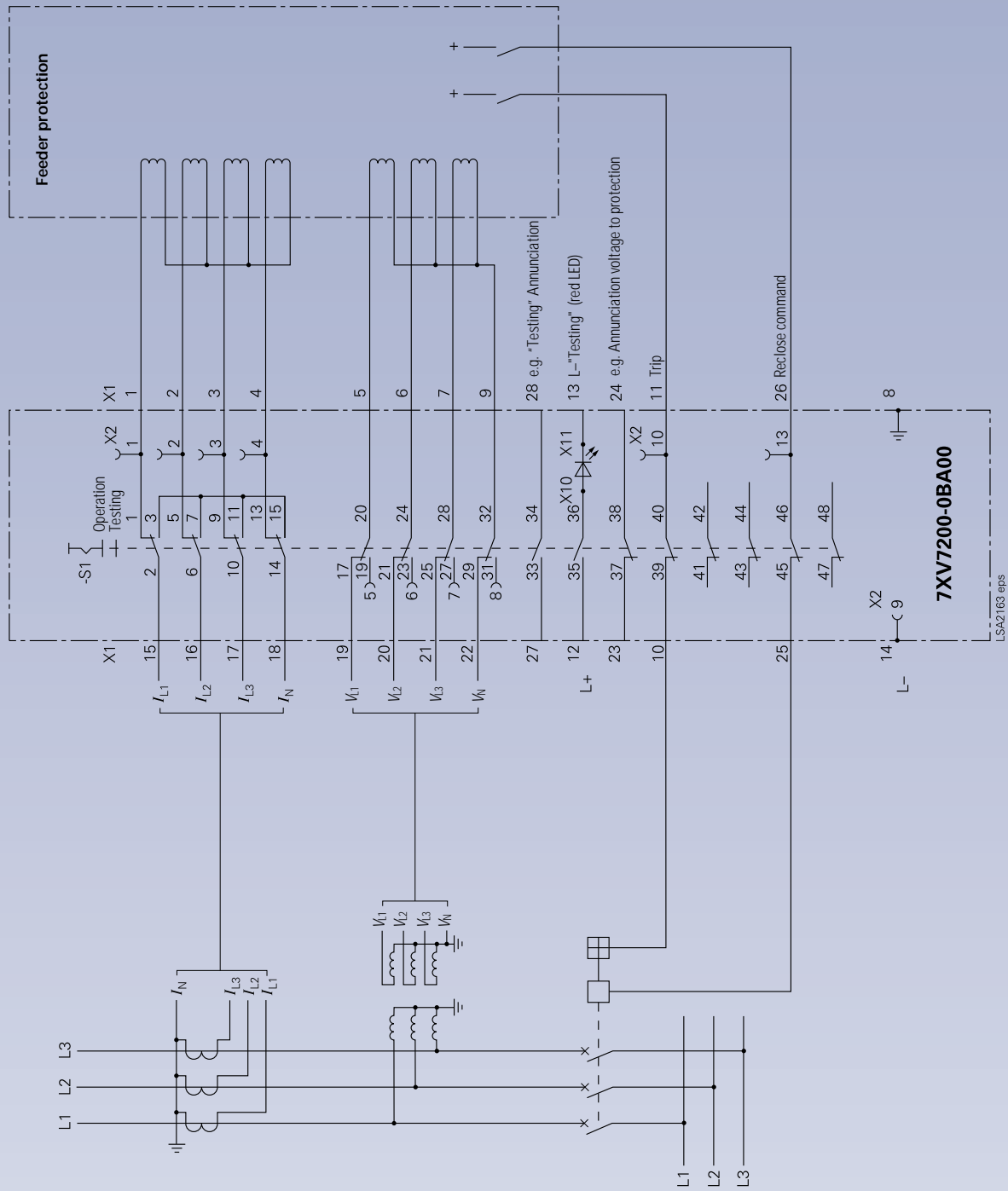


Fig. 2
Connection diagram for 7XV7200-0BA00 test switch

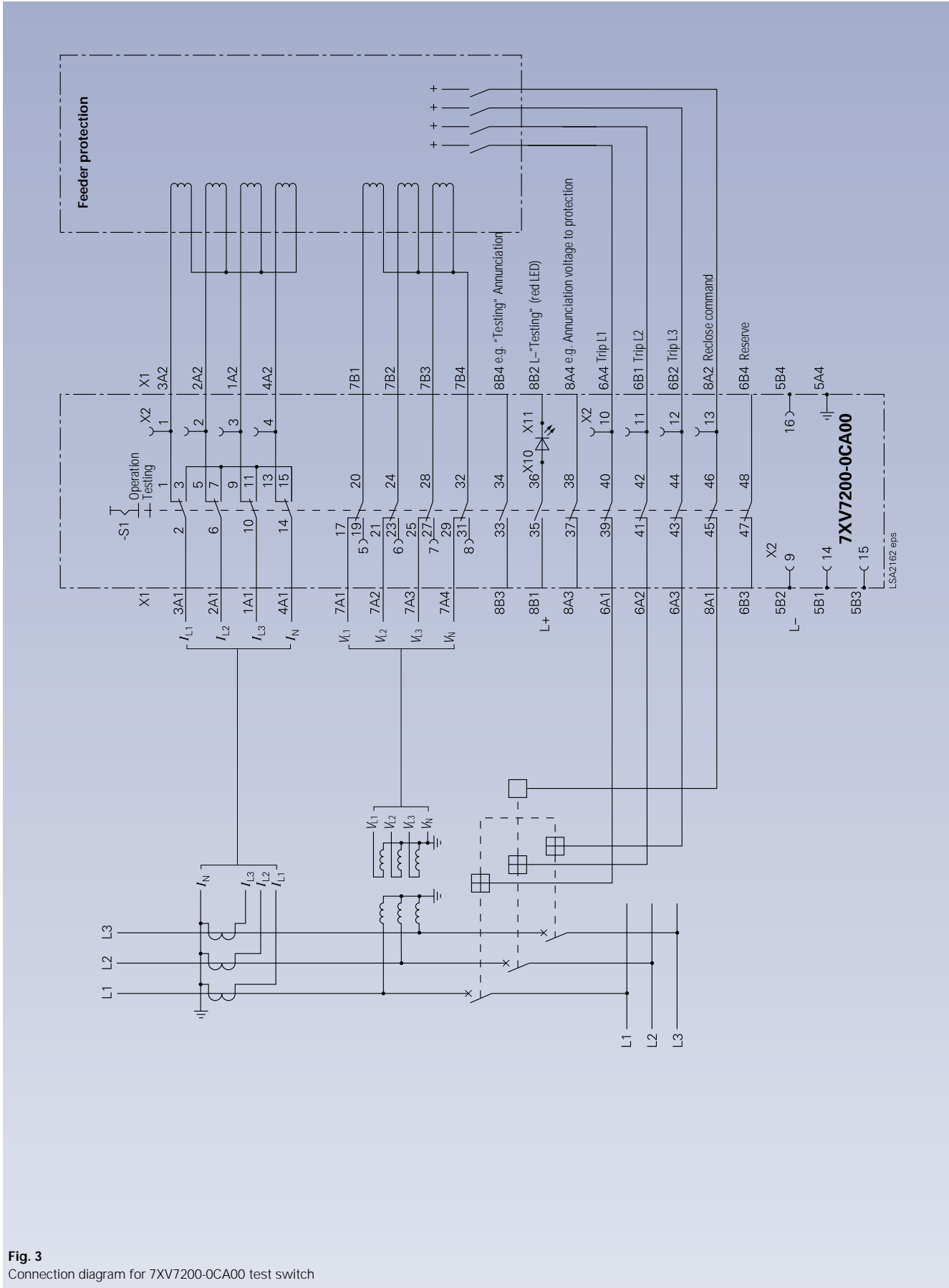


Fig. 3
Connection diagram for 7XV7200-0CA00 test switch

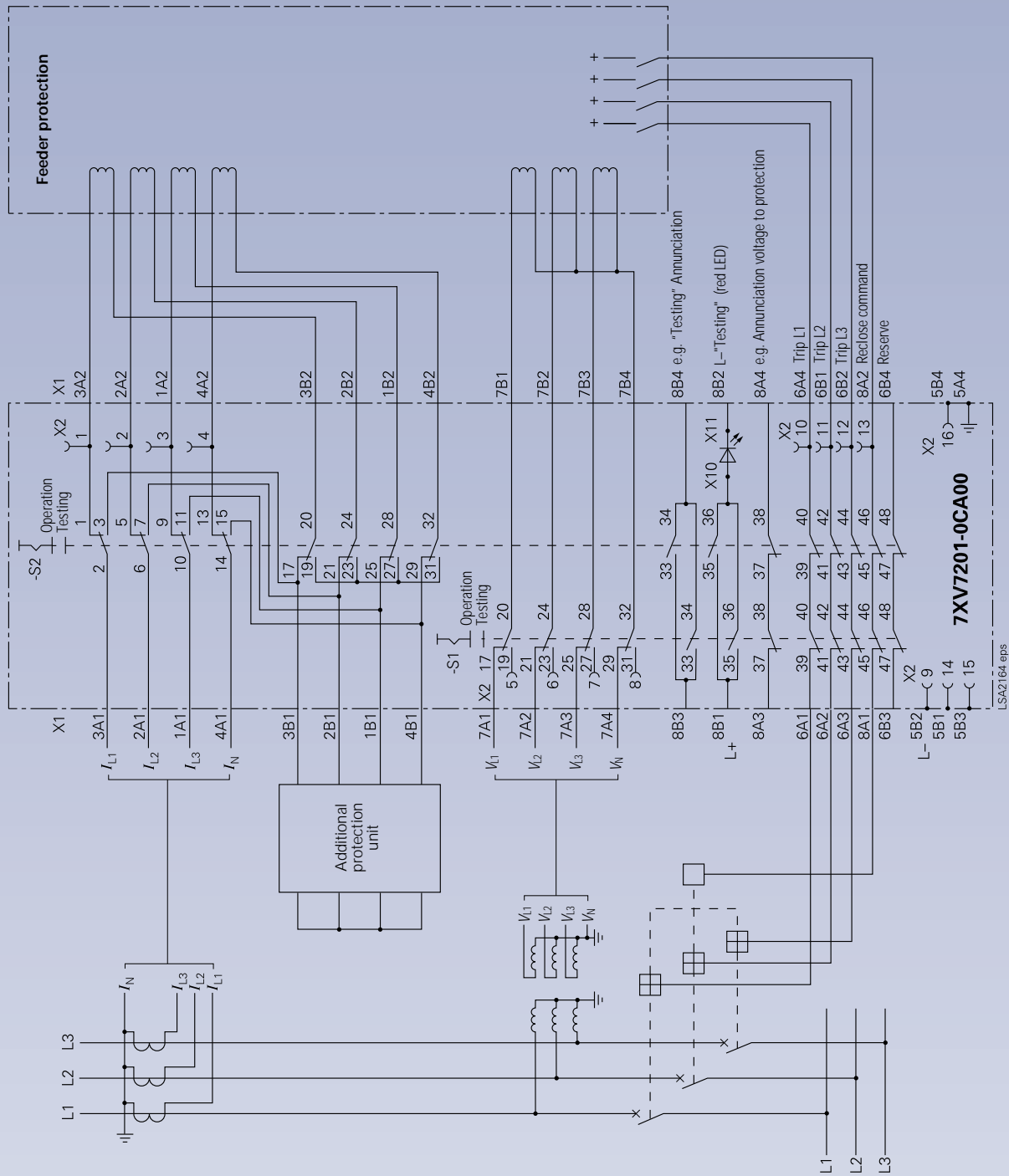


Fig. 4
Connection diagram for 7XV7201-0CA00 test switch

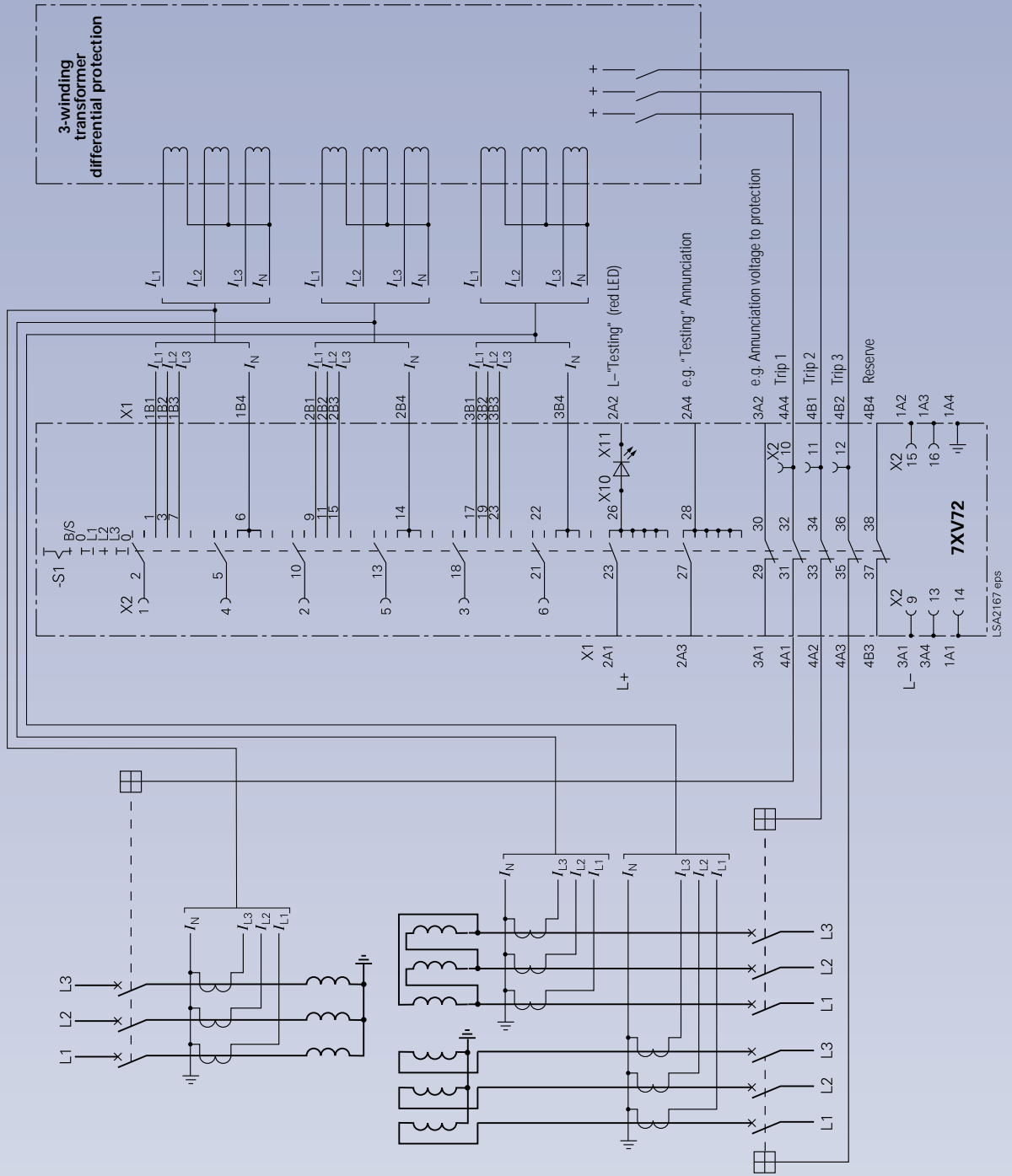


Fig. 5
Connection diagram for 7XV7202-0CA00 test switch

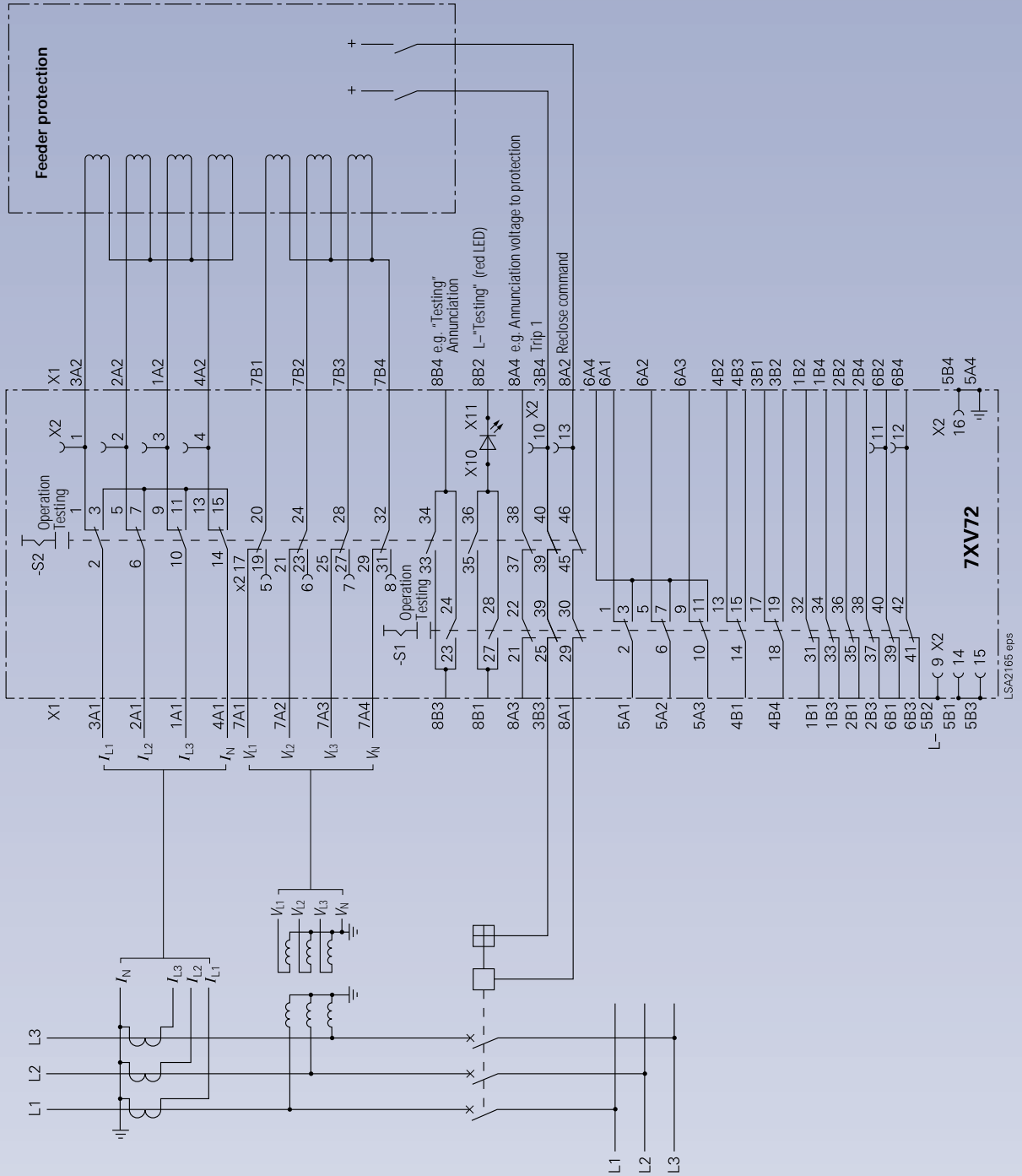


Fig. 6
 Connection diagram for 7XV7207-0CA00 test switch

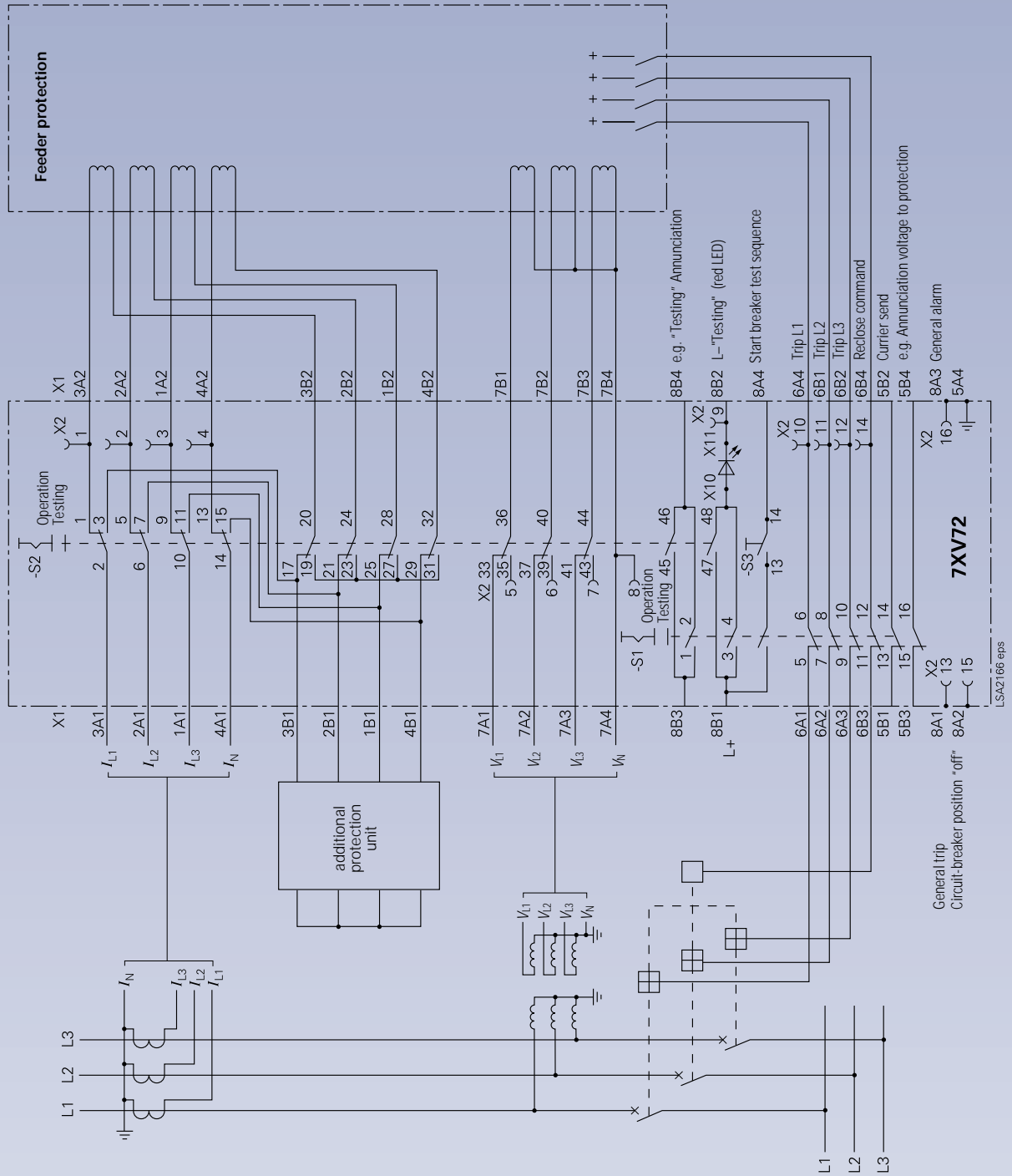


Fig. 7
Connection diagram for 7XV7208-0CA00 test switch

Dimension drawings in mm

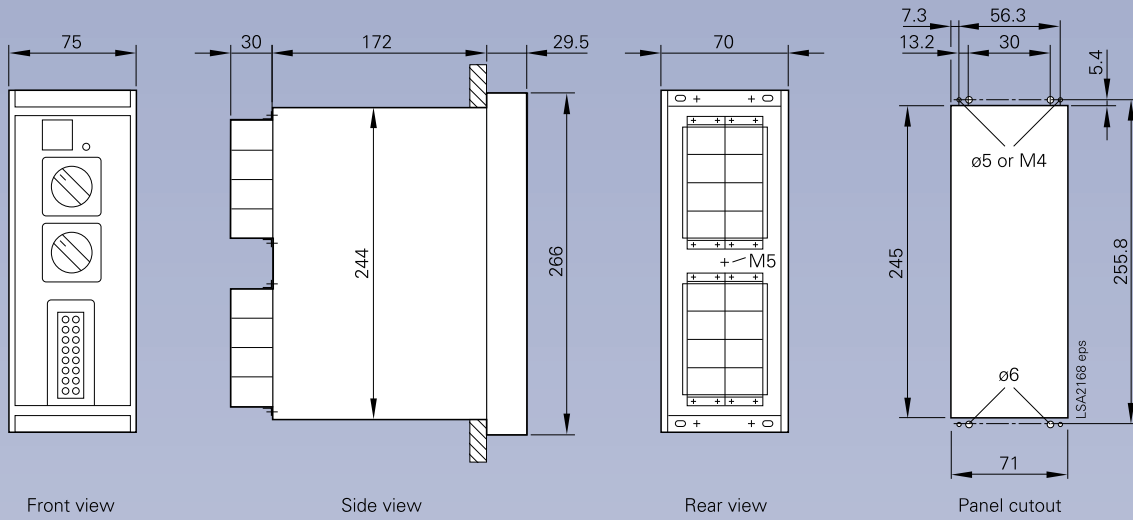


Fig. 8
7XV72 with housing 7XP2020-2 (for panel flush mounting)

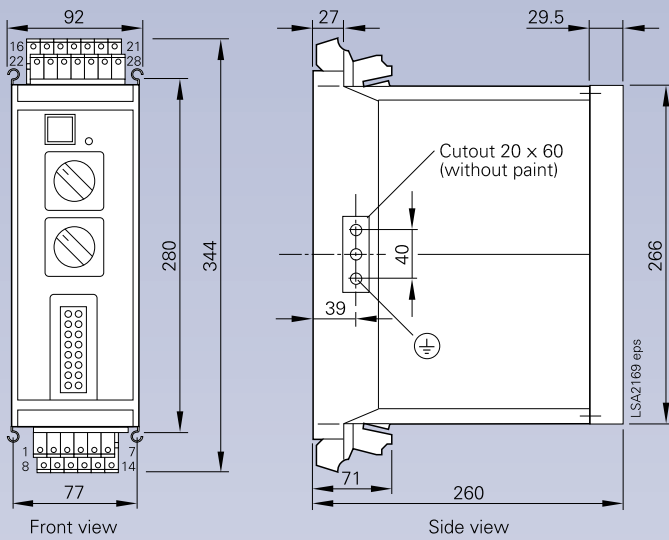


Fig. 9
7XV72 with housing 7XP2020-1 (for panel surface mounting)

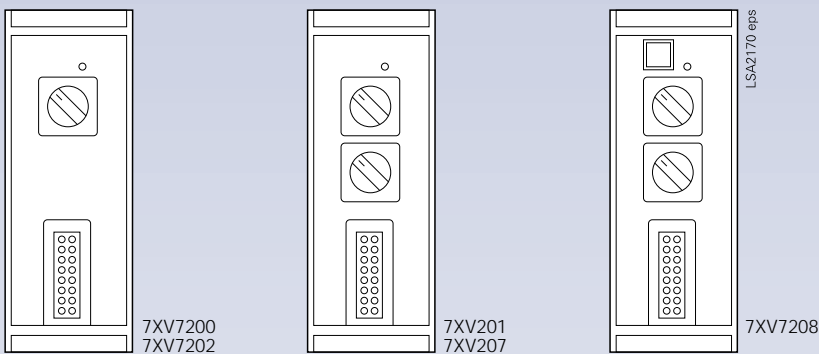


Fig. 10
Front view of test switch

Conditions of Sale and Delivery · Export Regulations Trademarks

Conditions of Sale and Delivery

Subject to the General Conditions of Supply and Delivery for Products and Services of the Electrical and Electronic Industry and to any other conditions agreed upon with the recipients of catalogs.

■ The technical data, dimensions and weights are subject to change unless otherwise stated on the individual pages of this catalog.

The illustrations are for reference only.

We reserve the right to adjust the prices and shall charge the price applying on the date of delivery.

A En 1.91a

Export Regulations

In accordance with the present provisions of the German Export List and the US Commercial Control List, export licences are not required for the products listed in this catalog.

An export licence may however be required due to country-specific application and final destination of the products.

Relevant are the export criteria stated in the delivery note and in the invoice subject to a possible export and reexport licence.

Trademarks

All product designations used are trademarks or product names of Siemens AG or of other suppliers.

Siemens online!

The Power Transmission and Distribution Group can also be found in the Internet:

<http://www.ev.siemens.de>

Responsible for

Technical contents: Bernhard Böckenfeld
Siemens AG, EV S V13, Nürnberg

General editing: Claudia Kühn-Sutiono
Siemens AG, EV BK T, Erlangen

Bereich

Energieübertragung und -verteilung
Geschäftsgebiet Sekundärsysteme
P. O. Box 48 06
D-90026 Nürnberg

Siemens Aktiengesellschaft

Power
to the **Point**

Order-No.: **E50001-K5762-A121-A1-7600**
Printed in Germany
KG K 1297 3.0 10 En 100192 6101/U658