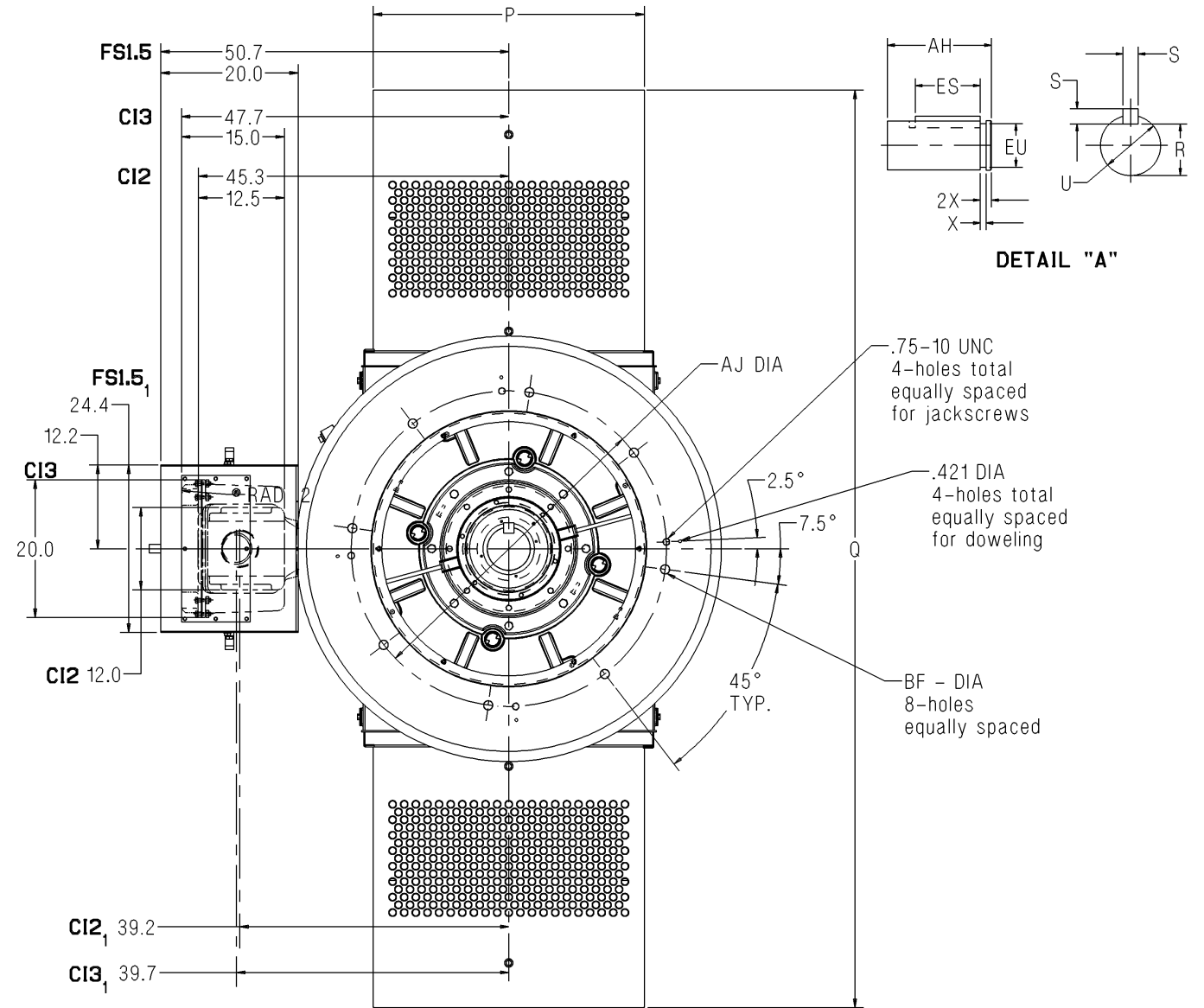
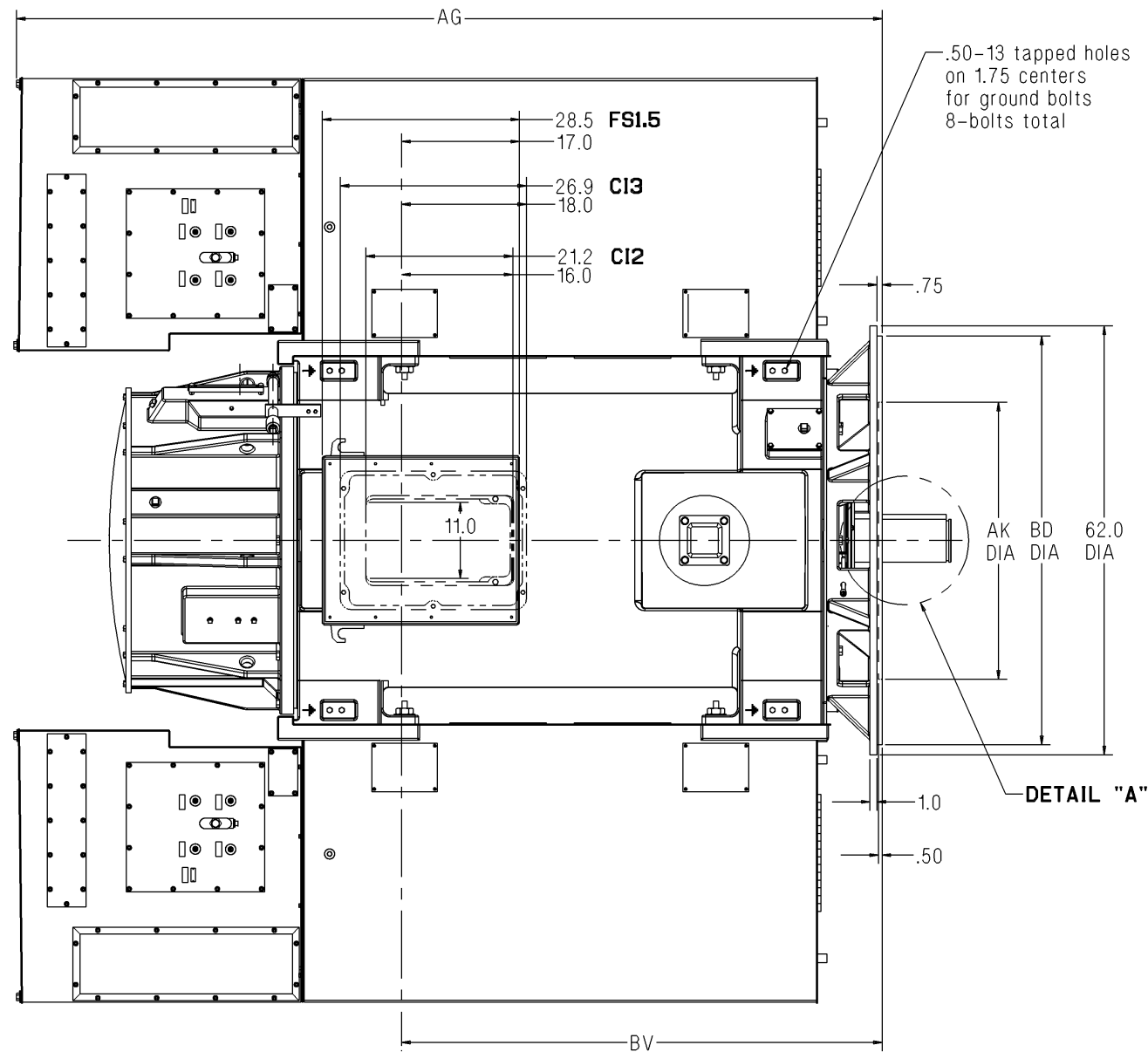


SIEMENS

Dimension Prints for Above NEMA Motors

Type CAZBV - Vertical Solid Shaft - TEAAC with Auxiliary Blower
 P Flange - Anti-Friction Bearing
 Frames 680 / 800 / 1120 - 4 Pole & Slower - Rotatable Main Conduit Box



- Notes:**
1. Main conduit box may be rotated in steps of 90°. A removable bottom plate is supplied on the FS1.5 conduit box. A 5.0 N.P.T. is supplied on both the CI2 and CI3 conduit boxes.
 2. Machines may rotate in one direction only.
 3. Adding a rotating labyrinth seal to the drive end does not change any dimensions.

Standard Dimensions in Inches

Frame	AG	AH	BV	ES	EU	R	S	U	X	P	Q	BD	AJ	AK	BF	Approx. Ship Wt. (Lbs)
680	125.0	12.50	69.4	9.50	5.50	5.409	1.50	6.250	0.750	39.5	131.5	59.00	46.00	40.00	1.312	27000
800	141.0	12.50	81.4	9.50	5.50	5.409	1.50	6.250	0.750	53.0	139.5	59.00	46.00	40.00	1.312	35000
1120	147.0	12.50	81.4	9.50	5.50	5.409	1.50	6.250	0.750	53.0	146.5	59.00	46.00	40.00	1.312	43000

Certification: Customer _____ P.O. _____ S.O. _____ Item _____
 HP _____ RPM _____ Frame _____ PH/HZ/Volts 3/_____/_____
 By _____ Date _____ Terminal Box Size CI2 CI3 FS1.5 CAZBV_680-800-1120_4plusPL_AF_ROT
 Comments _____ Revision 02
 Not for construction, installation or application purposes unless certified. 02/09/09