

Catalog Number: UA2311-XB

Features and Ratings

- Ringless Type Meter Socket
- 100A Continuous, 2 Position, 200A Overall
- Outdoor Enclosure (NEMA Type 3R)
- Painted G90 Steel
- 1 Phase, 3 Wire, 600V AC
- 5 Jaw
- Horn Bypass
- For Overhead or Underground Service
- RX Hub Opening, with Cover Plate Factory Installed

Accessories

Meter Opening Cover Plate
Cat No: H659-0162

5th Jaw Kit
Cat. No: 659-0121

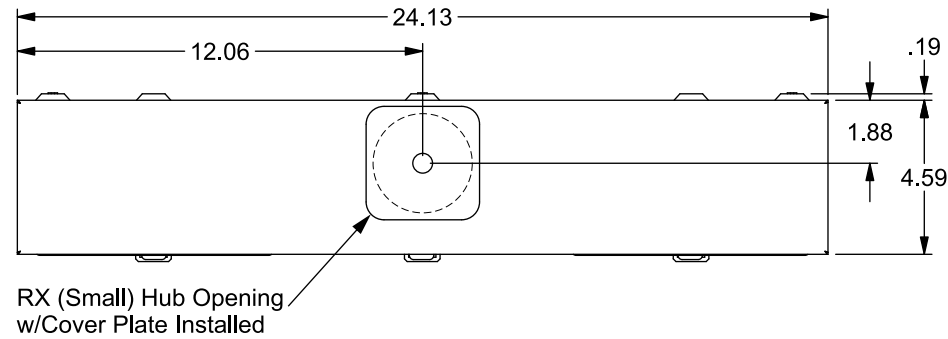
| CONDUIT HUBS (RX Type) | |
|------------------------|---------------------|
| TRADE SIZE | CATALOG No. |
| 1-1/4 INCH | EC38597 or H38597-2 |
| 1-1/2 INCH | EC38598 or H38598-2 |
| 2 INCH | EC38599 or H38599-2 |
| 2-1/2 INCH | EC38600 or H38600-2 |
| Hub Cover Plate | EC38595 or H38595-1 |

Connectors, Wire Sizes and Torques

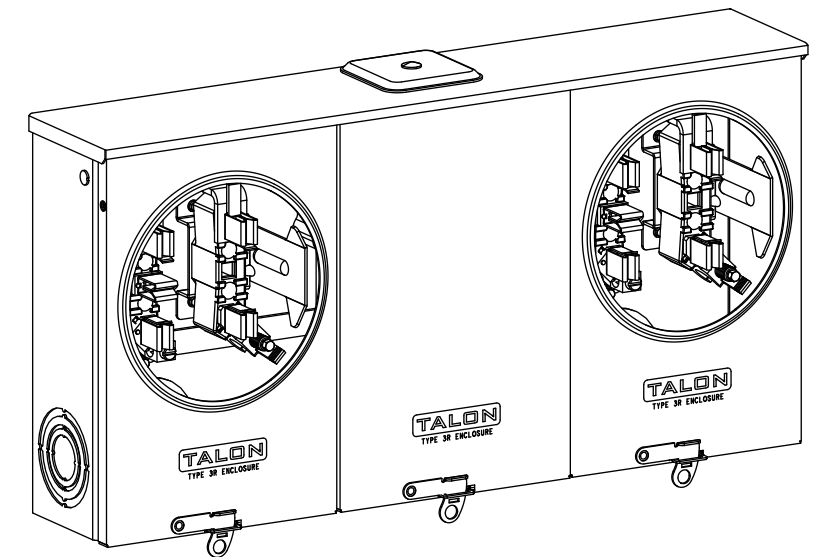
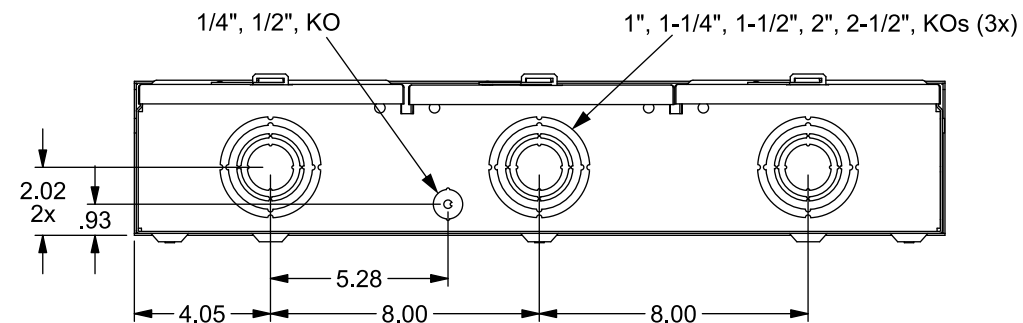
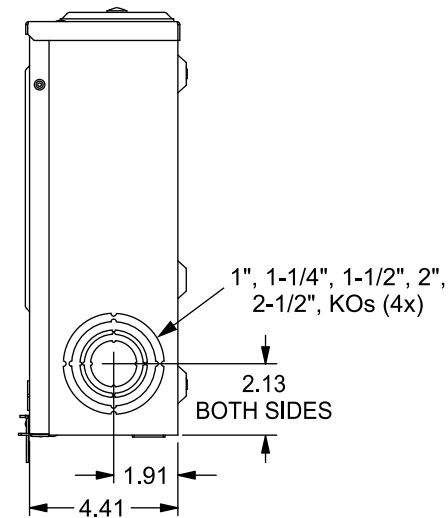
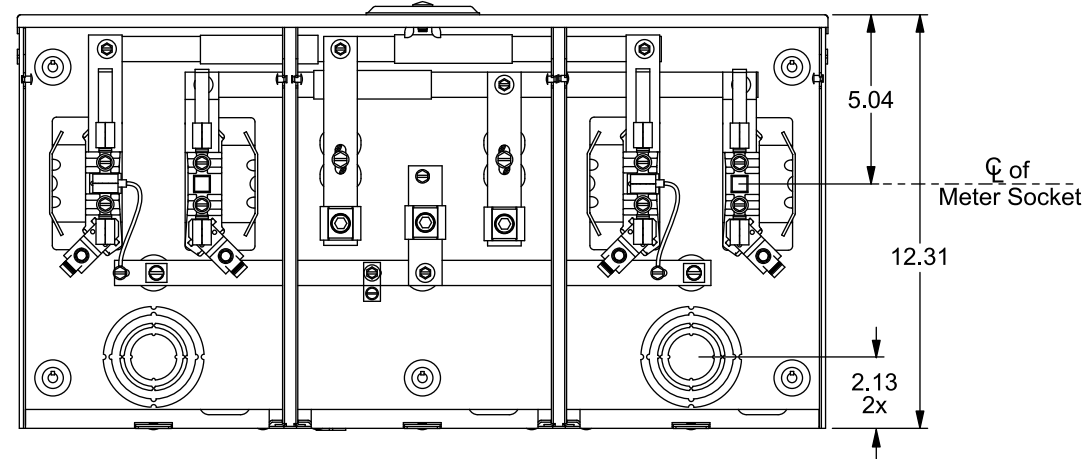
| CONNECTOR | WIRE SIZE | TORQUE |
|----------------|----------------|--------------|
| LINE, NEUTRAL* | #6 - 350 kcmil | 250 IN.-LBS. |
| LOAD, NEUTRAL | 2/0 - #14 | 50 IN.-LBS. |
| GROUND | #14 - 2 (CU) | 50 IN.-LBS. |

* External Hex Drive 1/2"
* Internal Hex Drive 5/16"

WIRE BENDING SPACE PROVIDED FOR 350 kcmil WIRE



View Shown with Covers Removed



© 2018 Copyright Siemens Industry, Inc.

TALON

Multi-Position Metering

Description: **100A Cont, 5 Jaw, A12-2POS, Horn Bypass, 600VAC, Painted G90 Steel**

KAM 6/26/18 | DO NOT SCALE DRAWING | Dwg No: **UA2311-XB**