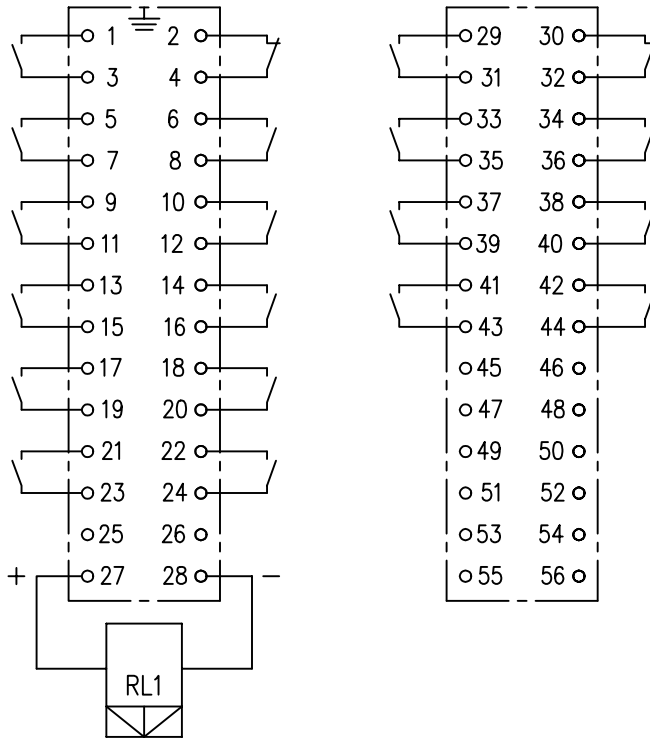


LOOKING ON REAR OF RELAY

2112W50133



KEY

- make contact
- break contact
- c/o contact
- ext. conn
- plug bridge - shorting
- metering point
- 5Kv barrier
- test socket - shorting
- plug & socket

NOT SUBJECT TO UPDATE
ONCE COPIED / PRINTED
OR DOWNLOADED

FRAME TERMINAL BLOCK ASSY:-

ASSEMBLY INSTRUCTIONS:-
TYPICAL ASSEMBLY DRAWING 2995G10032.
AT INDICATED POSITIONS FIT AS FOLLOWS:
T - FIT TRIP ISOLATION CONTACT 2995B10053
S - FIT STANDARD CONTACT 2995B10054
SECURE CONTACTS USING FIXING SCREW 2109F99009.
POSITIONS SHOWN BLANK ARE UNUSED

| | | | | | | | |
|----|---|---|----|----|---|---|----|
| 30 | T | T | 29 | 2 | T | T | 1 |
| 32 | T | T | 31 | 4 | T | T | 3 |
| 34 | T | T | 33 | 6 | T | T | 5 |
| 36 | T | T | 35 | 8 | T | T | 7 |
| 38 | T | T | 37 | 10 | T | T | 9 |
| 40 | T | T | 39 | 12 | T | T | 11 |
| 42 | T | T | 41 | 14 | T | T | 13 |
| 44 | T | T | 43 | 16 | T | T | 15 |
| 46 | | | 45 | 18 | T | T | 17 |
| 48 | | | 47 | 20 | T | T | 19 |
| 50 | | | 49 | 22 | T | T | 21 |
| 52 | | | 51 | 24 | T | T | 23 |
| 54 | | | 53 | 26 | T | T | 25 |
| 56 | | | 55 | 28 | S | S | 27 |

VIEW FROM NUMBERED SIDE OF BLOCK

OUTER TERMINAL BLOCK ASSY:-

ASSEMBLY INSTRUCTIONS:-
TYPICAL ASSEMBLY DRAWING 2995G10029.
AT INDICATED POSITIONS FIT AS FOLLOWS:
S - FIT STANDARD CONTACT 2995B10051
HC - FIT 'HEAVY CURRENT' KIT 2995G10030
WHERE IS SHOWN FIT CT SHORTING KIT 2995G10031
POSITIONS SHOWN BLANK ARE UNUSED.
ALL POSITIONS FIT SCREW 2106F12506.

| | | | | | | | |
|----|---|---|----|----|---|---|----|
| 30 | S | S | 29 | 2 | S | S | 1 |
| 32 | S | S | 31 | 4 | S | S | 3 |
| 34 | S | S | 33 | 6 | S | S | 5 |
| 36 | S | S | 35 | 8 | S | S | 7 |
| 38 | S | S | 37 | 10 | S | S | 9 |
| 40 | S | S | 39 | 12 | S | S | 11 |
| 42 | S | S | 41 | 14 | S | S | 13 |
| 44 | S | S | 43 | 16 | S | S | 15 |
| 46 | | | 45 | 18 | S | S | 17 |
| 48 | | | 47 | 20 | S | S | 19 |
| 50 | | | 49 | 22 | S | S | 21 |
| 52 | | | 51 | 24 | S | S | 23 |
| 54 | | | 53 | 26 | | | 25 |
| 56 | | | 55 | 28 | S | S | 27 |

VIEW FROM INSIDE FACE

Copyright © 2002 VATECH REYROLLE ACP Ltd. Hebburn

| | | | | | | |
|---------------|----------|------------|--|---------------------|--|------|
| 2 RDW | 04/09/02 | MN112/2377 | Title: TERM. BLOCK & WIRING DIAG. FOR 18M2B LATCHING TRIP RELAY IN E4 CASE | First used on: | | |
| | 1A | 30/04/02 | | Similar Articles: | | |
| | 1 | 10/04/02 | | Supersedes: | | |
| ISSUE | DATE | MOD.No. | VATECH REYROLLE AUTOMATION, CONTROL & PROTECTION | Original Scale: | Drg.No. 2112W50133 | |
| DRAWN: A.LAW. | | CHECKED: | APPROVED: RD.WATSON | DATE: 17/7/02 | IE: | OPS: |