

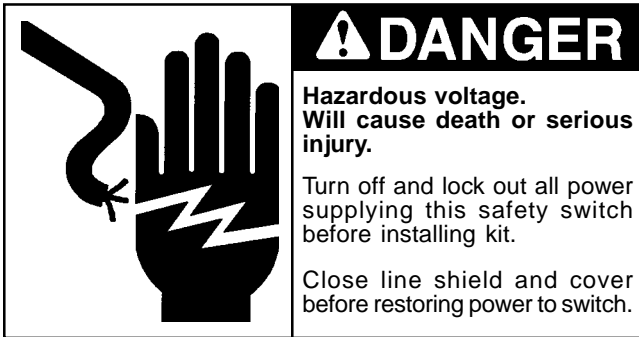
Siemens Energy & Automation, Inc.  
Bellefontaine, Ohio 43311 U.S.A.  
For questions call 1-800-241-4453 or our web site:  
<http://www.sea.siemens.com/dpd>

For use with:  
200 Amp VBII Safety Switches

Page 1 of 3

Pc. No. 500208B00

## Installation Instructions for Replacement Mechanism Kit

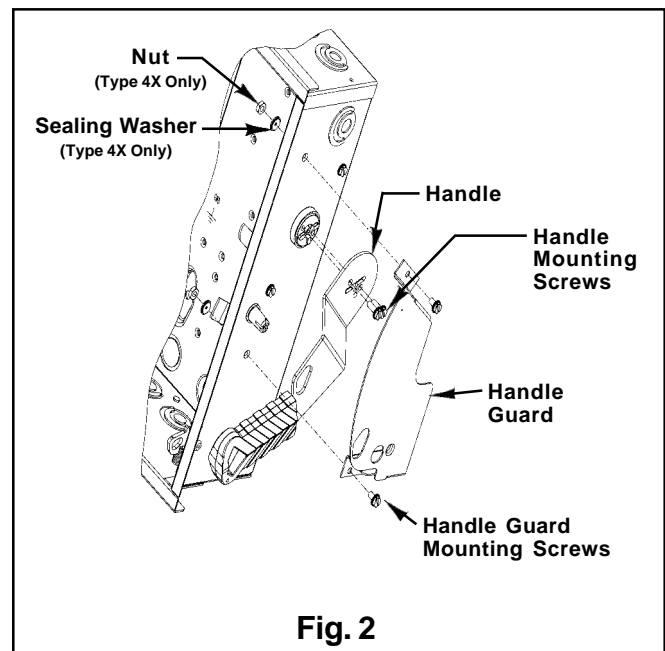
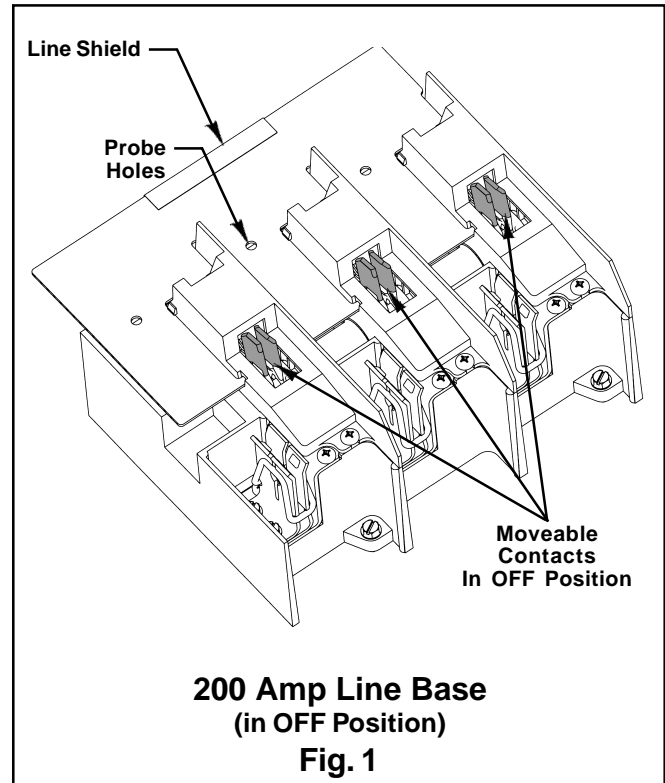


### SAFETY INSTRUCTIONS

**NOTE:** This instruction outlines the recommended installation procedure.

**NOTE:** All replacement mechanisms are Heavy Duty.

1. Turn OFF and lock out all power supplying the Safety Switch.
2. Turn the Safety Switch OFF.
3. Verify moveable contacts are in the OFF position. (See Figure 1).
4. Verify that NO voltage is present at the wire grips.
5. Remove fuses if installed.
6. Open line shield.
7. Remove all conductors from the line base and neutral if installed.
8. Remove and retain Handle and Handle Guard and all mounting hardware, see Figure 2 for the location of mounting hardware.

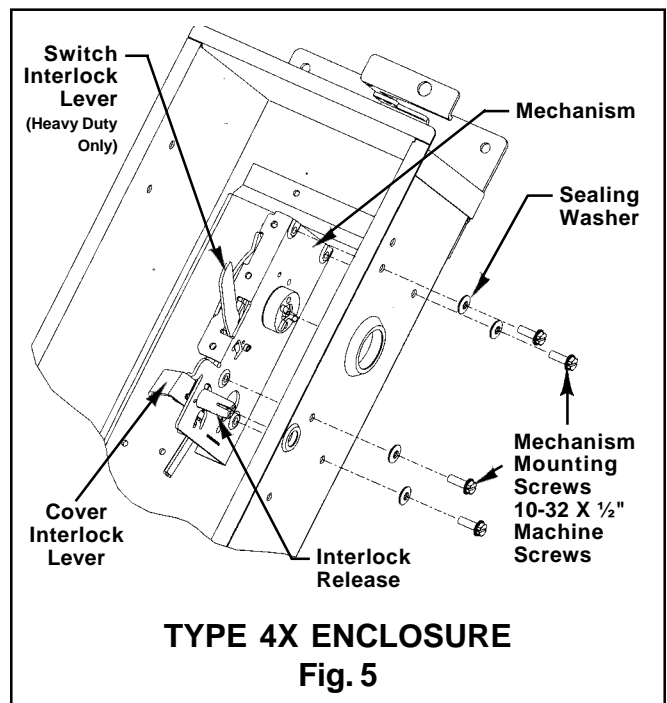
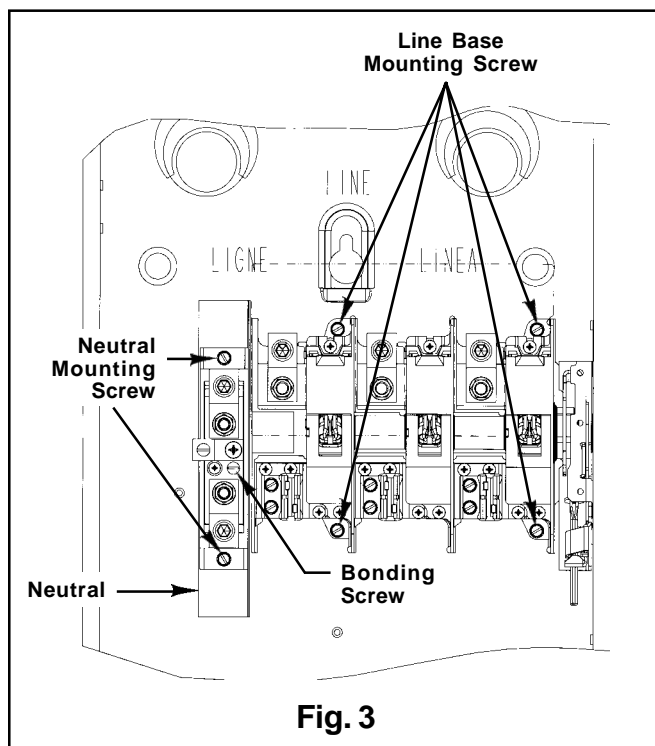
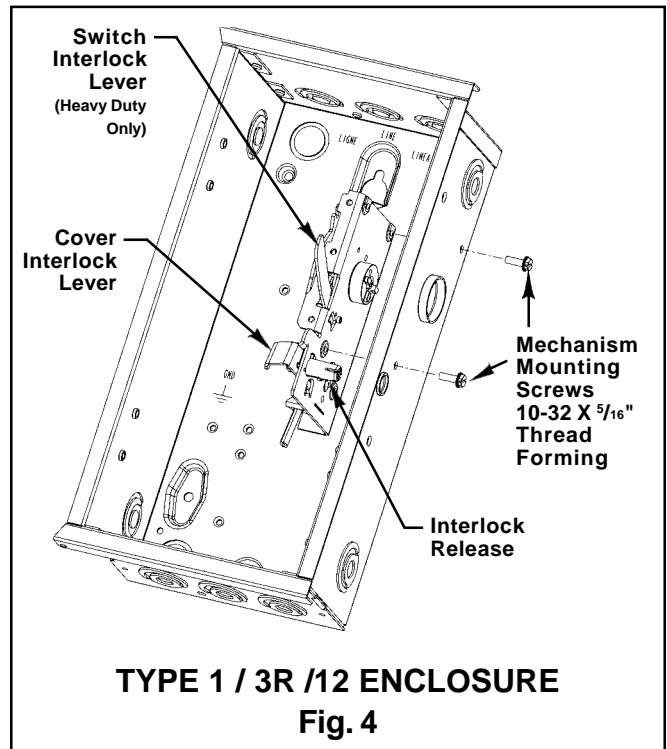




## Installation Instructions for Replacement Mechanism Kit

9. Remove and retain neutral if installed, see **Figure 3** for mounting and bonding screw locations.
10. Remove and retain line base mounting screws. **(See Figure 3).**
11. Slide line base to the left to disengage the rotor from the switch mechanism and remove line base.
12. Remove mechanism mounting screws. **(See Figures 4 & 5).**
13. Slide mechanism to the left and remove.
14. Position replacement mechanism in enclosure and secure with mounting screws provided in this kit as shown in **Figures 4 & 5.** Torque screws to 26-30 lb-ins.

**NOTE:** For Type 4X enclosures, secure with 10-32 x 1/2" **coated** machine screws along with the sealing washers as shown in **Figure 5.**





## Installation Instructions for Replacement Mechanism Kit

15. Reinstall Handle.
    - a. Align handle hole pattern with tabs on mechanism and secure with 10-32 X 1/2" mounting hardware. **(See Figure 2).**
    - b. Torque mounting screws to 30 lb-ins.
  16. Reinstall Handle Guard.
    - a. Align handle guard mounting holes with enclosure and secure with 10-32 X 5/16" thread forming screws. **(See Figure 2).**

**Note:** For Type 4X enclosures, secure with 10-32 X 1/2" **coated** machine screws along with the nuts and sealing washers as shown in **Figure 2.**
    - b. Torque mounting screws to 30 lb-ins.
    - c. If the switch handle is in the ON position, move it to the OFF position before proceeding.
  17. Reinstall Line Base Assembly.
    - a. Making sure that the moveable contacts are visible (switch in OFF position), slide line base rotor into mechanism cam. **(See Figure 6).**
    - b. Install mounting screws and torque to 30 lb-ins. **(See Figure 3).**
  18. Reinstall conductors. Torque lugs to the wire tightening torque values listed in the Terminal & Wire Information Table on the interior label.
  19. If auxiliary switch kit or neutral was installed, reinstall per instruction sheet included in this kit.
  20. Install fuses if removed in step 5.
  21. Close line shield.
  22. **While power supplying switch is still OFF**, check switch operation. Cycle mechanism while checking for smooth operation and moveable contact movement.
- (Hold switch interlock lever below the front of the enclosure to operate switch with the door open on Heavy Duty Switches.) **(See Figure 4 & 5)** If switch does not operate in a smooth manner, or if there are any questions about replacement kit installation, contact Customer Service 1-800-241-4453.
23. Check interlock operation.
    - a. Close cover.
    - b. **While the power supplying switch is still OFF**, move handle to ON position.
    - c. Attempt to open cover. The cover interlock lever should prevent cover from opening.
    - d. Move handle to the OFF position.
  24. Close cover before supplying power to the safety switch.

