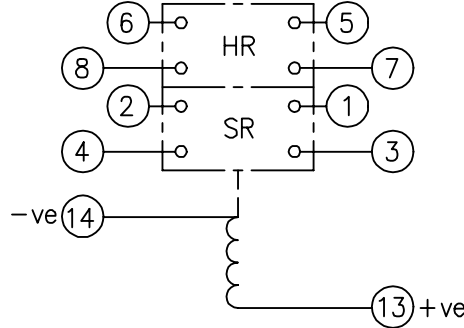


LOOKING ON FRONT OF RELAY



**NOT SUBJECT TO UPDATE
ONCE COPIED / PRINTED
OR DOWNLOADED**

**PRINTED ON 23/06/2003
ENSURE CORRECT REVISION
DESTROY AFTER USE**

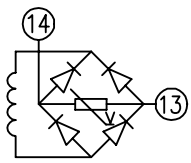
KEY

- make contact
- break contact
- c/o contact
- ext. conn
- plug bridge - shorting
- metering point
- 5kv barrier
- test socket - shorting
- plug & socket

NOTE:
1. HR - HAND RESET / SR - SELF RESET.

CONTACT CONFIG.		OUTPUT CONTACT PAIR / TERMINAL No.					
HR	SR	1-3	2-4	5-7	6-8	9-11	10-12
2M	2M	M	M	M	M		
2M	1M 1B	M	B	M	M		
2M	2B	B	B	M	M		
	2B 2M	M	M	B	B		
	2B 1M 1B	M	B	B	B		
	2B	B	B	B	B		

NOTE: WHEN RECTIFIER IS SPECIFIED
COIL CONNS. ARE AS SHOWN.



FRAME REFERENCE: E2FAQQ.
FRAME TERMINAL BLOCK ASSY: -
ASSEMBLY INSTRUCTIONS: -
TYPICAL ASSEMBLY DRAWING 2995G10032.
AT INDICATED POSITIONS FIT AS FOLLOWS:
T - FIT TRIP ISOLATION CONTACT 2995B10053
S - FIT STANDARD CONTACT 2995B10054
SECURE CONTACTS USING FIXING SCREW 2109F99009.
POSITIONS SHOWN BLANK ARE UNUSED

2	T	T	1
4	T	T	3
6	T	T	5
8	T	T	7
10			9
12			11
14	S	S	13
16			15
18			17
20			19
22			21
24			23
26			25
28			27

VIEW FROM NUMBERED SIDE OF BLOCK

OUTER TERMINAL BLOCK ASSY: -
ASSEMBLY INSTRUCTIONS: -
TYPICAL ASSEMBLY DRAWING 2995G10029.
AT INDICATED POSITIONS FIT AS FOLLOWS:
S - FIT STANDARD CONTACT 2995B10051
HC - FIT 'HEAVY CURRENT' KIT 2995G10030
WHERE IS SHOWN FIT CT SHORTING KIT 2995G10031
POSITIONS SHOWN BLANK ARE UNUSED.
ALL POSITIONS FIT SCREW 2106F12506.

2	S	S	1
4	S	S	3
6	S	S	5
8	S	S	7
10			9
12			11
14	S	S	13
16			15
18			17
20			19
22			21
24			23
26			25
28			27

VIEW FROM INSIDE FACE

1	23/03/99	MOD.No.	Title: T.B. AND W.D. FOR AR114/AR124 4 CONT. RELAYS IN EPSILON E2 CASE.		First used on:
			Reyrolle Protection Hebburn.		Similar Articles:
Original Scale:		Supersedes:			
		Drg.No. 2112W50034		Copyright © 1998 Reyrolle Ltd.	
DRAWN: A.LAW.	CHECKED:			APPROVED: R.D.WATSON	DATE: 16/07/02