



**SIEMENS**

*Ingenuity for life*



## SIMOVE Maximizing your production flexibility with AGV.

We offer a comprehensive system consisting of standard automation & drives components and a modular software platform.

Increasing individualization and variant diversity of products are shaping the industry of the future. Industrial manufacturing is being led by the trend of flexible production concepts. Automated Guided Vehicles (AGV) play an important role to make your production dynamic and scalable. SIMOVE is the AGV system platform, including Siemens automation & drives components along with modular and pretested software. It enables machine builders and end-customers to automate their AGV application "out-of-the-box".

### Optimize your production process. Maximize the flexibility.

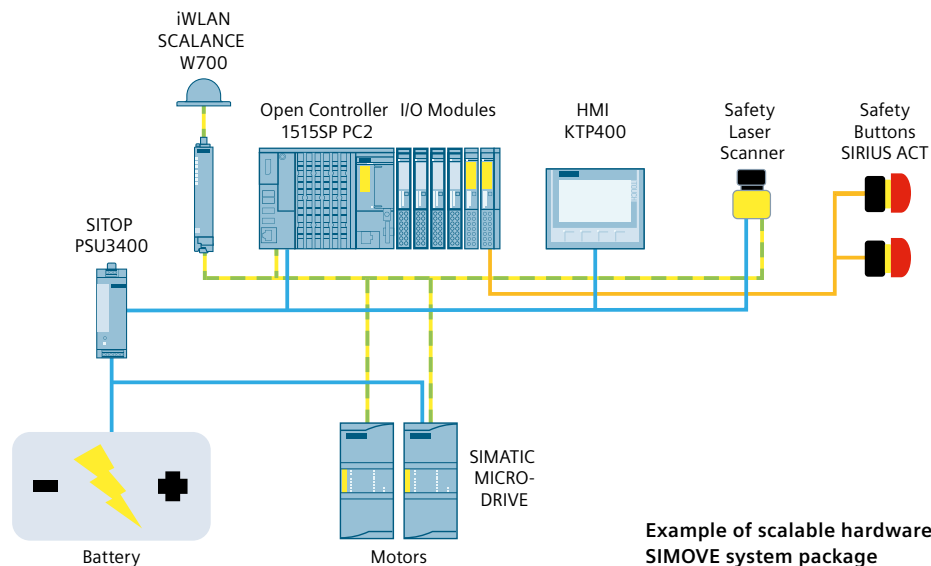
Do you want to make your traditional production workflows and logistics more dynamic?

Do you want to be able to respond more quickly to market changes, optimize your capacity utilization and manufacture smaller batches?

The answer for these challenges is a flexible and self-organizing logistic concept based on our SIMOVE AGV system platform.

Automated Guided Vehicles (AGV) are the backbone of the Digital Factory. With AGVs you are able to improve your production process and optimize the manufacturing flow. SIMOVE allows you to change your rigid manufacturing lines into a flexible and modular production. The open and comprehensive SIMOVE AGV system platform is applicable for all production and logistic applications independent of the industry branch.

**Welcome to the Digital Enterprise.**



Example of scalable hardware architecture of SIMOVE system package

### SIMOVE highlights:

- Proven automation concepts based on Siemens automation & drives components
- Easy integration of AGVs from different suppliers into one common fleet management system
- Open interfaces for third-party integration e.g. navigation, drives and sensors
- Support of various navigation and localization systems e.g. track bounded, laser guided and RTLS
- Communication based on industrial standards e.g. TCP/IP and PROFINET
- Simultaneous WIFI communication of failsafe and non-failsafe data
- SIMOVE competence team for application support

### SIMOVE contains the following modules and features:

- Automation software library for Carrier Control
- Fleet management software for Master Control
- Navigation software
- Maintenance software app
- Interface specification
- Component list with recommended hardware
- System description and user guidelines
- Hands-on training for AGV manufacturers and end-users

Siemens automation & drives components enables machine builders and end customers to easily automate and standardize their AGV applications with proven technologies and open interfaces.

SIMOVE supports the integration of third-party applications via standardized and open interfaces.

#### For AGV manufacturers:

Thanks to pre-tested and proven software modules, you benefit from reduced planning & engineering effort and shorter commissioning time.

The SIMOVE application software is based on SIMATIC TIA Portal and enables an efficient way of engineering. The SIMOVE software library contains dedicated pre-configured and tested function blocks.

Siemens offers a comprehensive and scalable hardware portfolio comprising of PLC, IPC, I/O, Drive, RFID, Safety, communication and localization components.

#### For end-users:

Small logistic vehicles as well as advanced production AGVs and complex mobile robots – SIMOVE supports different types of AGVs and can be easily adapted to your specific use case.

Due to the use of standard automation & drives components SIMOVE fits perfectly into your existing production area.

#### Training & Support:

Our SIMOVE competence team supports you during all phases, from planning and implementation up to commissioning and after-sales support including hands-on trainings.

Published by Siemens AG  
Digital Industries  
P.O. Box 48 48  
90026 Nuremberg  
Germany

For the U.S. published by  
Siemens Industry Inc.  
100 Technology Drive  
Alpharetta, GA 30005  
United States

Article No. DICM-B10003-00-7600  
Printed in Germany  
Dispo 21507  
DÖ93162 SB 0919 PDF  
© Siemens 2019

Subject to changes and errors. The information given in this document only contains general descriptions and/or performance features which may not always specifically reflect those described, or which may undergo modification in the course of further development of the products. The requested performance features are binding only when they are expressly agreed upon in the concluded contract.

All product designations may be trademarks or product names of Siemens AG or supplier companies whose use by third parties for their own purposes could violate the rights of the owners.