

# Catalog Numbers, Ratings and Features

Catalog No.	Max. Branch Rating	Main Bus, 1200A Max.	Breaker Type	Meter Socket Cover	Meter Socket Type/ Continuous Rating	No. of Jaws	Bypass Type	Neutral Lug Wire Range	Equip Ground Lug (Qty) and Wire Range
WMK12400RJ	400A	3 Phase	2 Pole JXD2-A	Ringless	K5 / 400A	5	Manual*	(1)or(2)Wires 3/0-500 CU (1)or(2)Wires 4/0-500 AL	(2) #4-300 kcmil

\*Use Rake Type Bypass Catalog No. H58888

- TYPE 3R OUTDOOR ENCLOSURE
- 208Y/120 VOLTS AC, 3 PHASE, 4 WIRE
- 3 PHASE INPUT, 1 PHASE OUTPUT
- MOUNTING RAILS AND ADJUSTABLE BRACKETS FOR SECURE MOUNTING

CATALOG NUMBER	FACTORY INSTALLED BREAKER
WMK12400RJ	400A
ALTERNATE BREAKER AMPERAGES (FACTORY INSTALLED)	
WMK12400RJT1	200A
WMK12400RJT2	250A
WMK12400RJT3	300A
WMK12400RJT4	350A

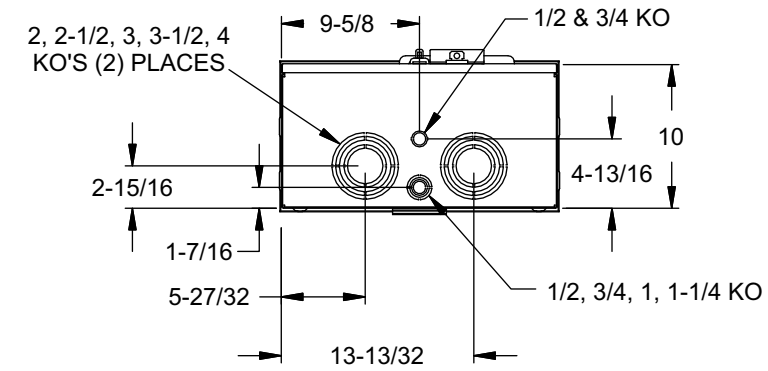
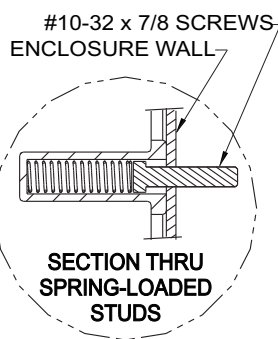
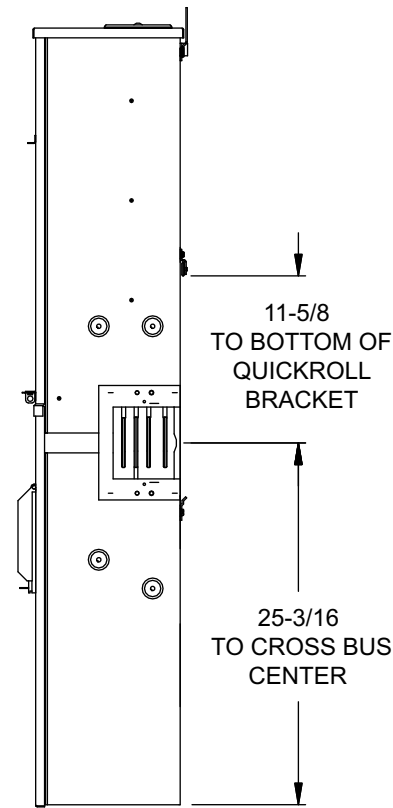
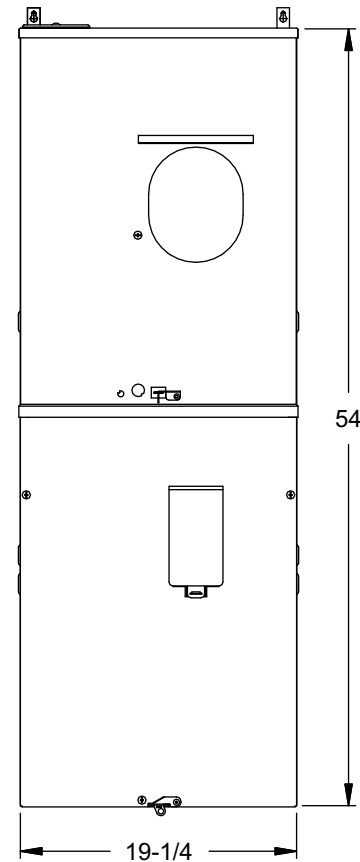
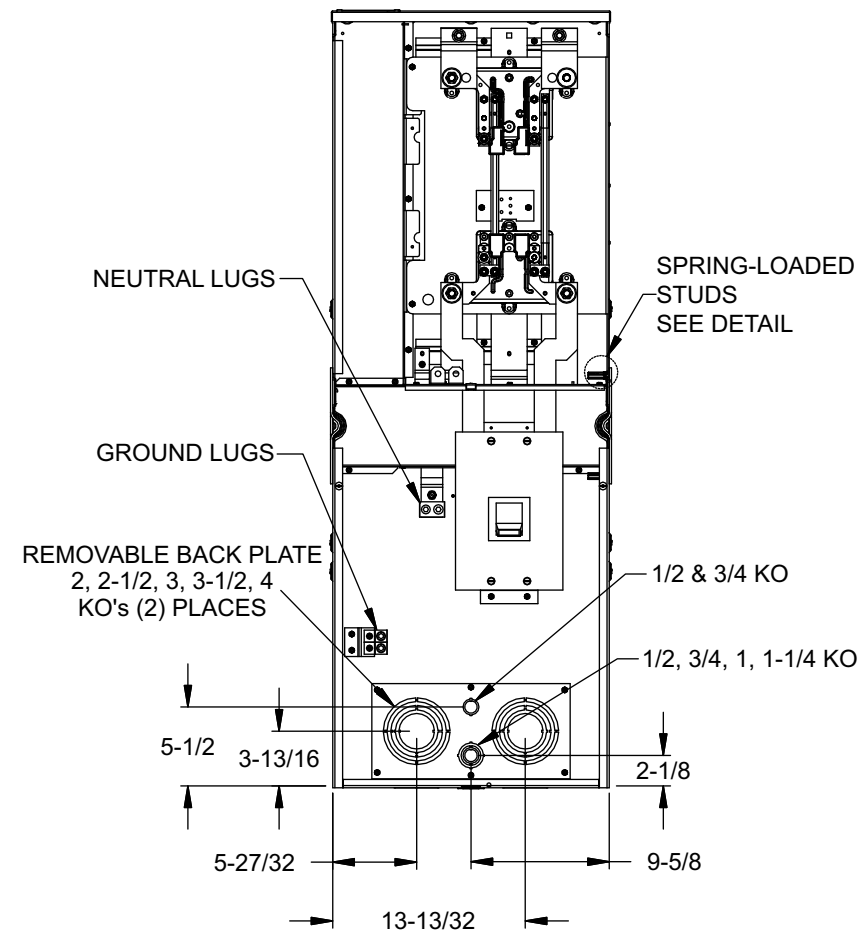
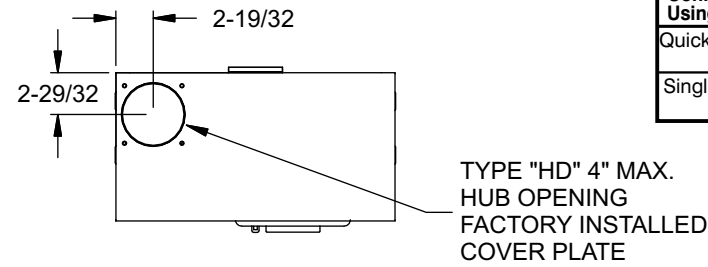
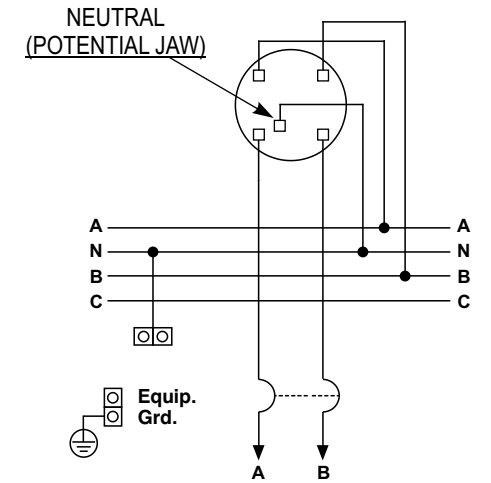
# Additional Modules and Accessories

FOR USE WITH:	Siemens Series#	Murray Series#
Main Breakers	(W)MC, WB, WEB	DB W
Switches	WMP, WMS, WS, WES	DPT W, DT W
Tap/Terminal Boxes	WMTB, WTB, WET	DTB_W
Meter Module	WMM, WxMM, WMT, WML, WMK	DG_W, DC_W, DL_W
Extension Box	WMEX, WSP	DS
Bussed Elbow	(W)BE	DL

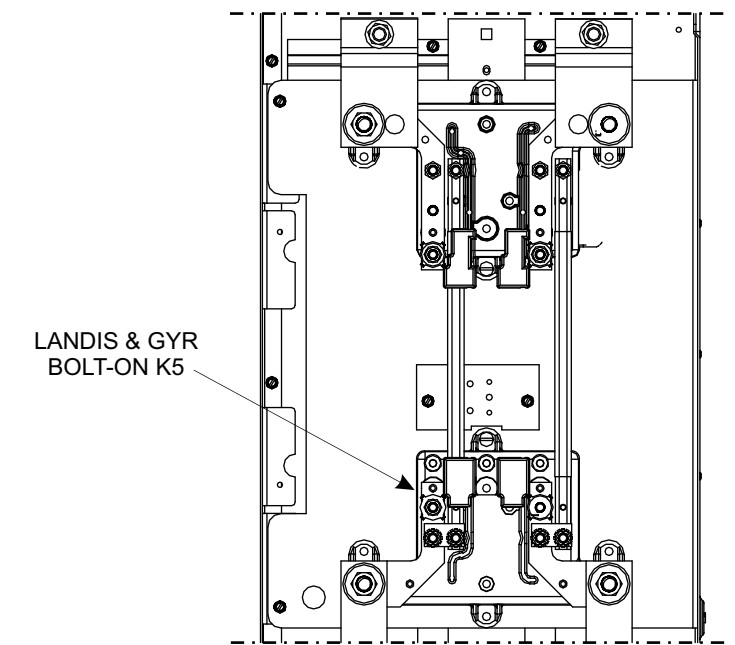
Siemens Accessory	Catalog No.
Hub Cover Plate	EC56933S
Type HD Hub 2"	EC56854
Type HD Hub 2-1/2"	EC56855
Type HD Hub 3"	EC56856
Type HD Hub 3-1/2"	EC56857
Type HD Hub 4"	EC56858

Connect Modules Using:	Catalog Number / Torque
QuickConnect	QC1 (1ph) or QC4 (3ph) 400-440 lb-in (35-36 ft.-lb.) Torque
Single Bolt Joint	SBJ1 (1ph) or SBJ4 (3ph) 400-480 lb-in (35-40 ft.-lb.) Torque

# Schematic



# Enlarged Socket Detail



© 2010 Copyright Siemens Industry, Inc.

Siemens Industry, Inc.  
Building Technologies Division

## PowerMod™ Modular Metering

Description: **K-Base 1 Position 400A Tenant 3in-1out Commercial Metering Module**

Size B Dwg. No. **WMK12400RJ**