

Commercial/Residential Portable Generators

A/C Rated output watts: 6500
A/C Maximum output watts: 8000

Emissions certification: 49-State



Features

- Overhead valve engine
- High performance alternator
- Steel fuel tank with fuel gauge
- Locking fold-down handles
- Never-flat wheel kit
- 1.25" hardened steel tube cradle
- Circuit breaker protected outlets
- Low tone muffler

Customer connections

Connection outlets

A: (4) 5-20R 120V

B: L14-30R Twist-lock 120/240V

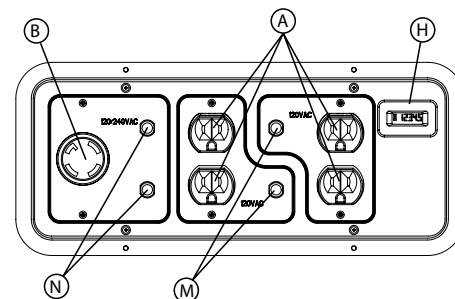
Circuit breakers

M: (2) 20A

N: (2) 30A

Other features

H: Hour meter



Data Sheet

www.usa.siemens.com/generators

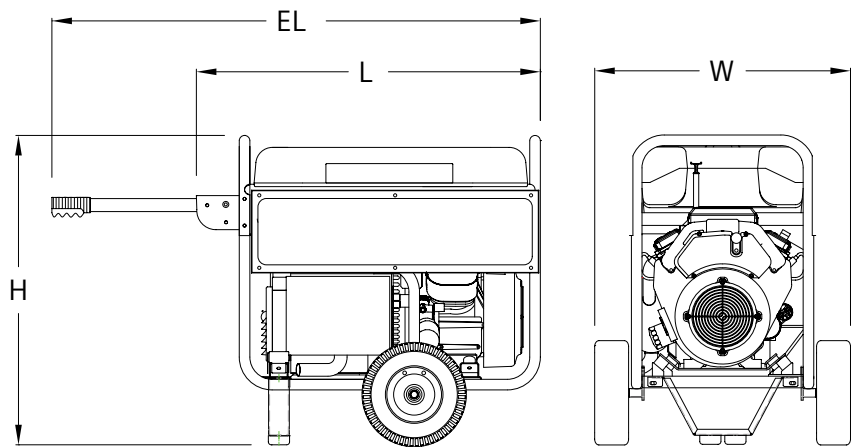
SIEMENS

Specifications

Product series	PG0065
Configuration/emissions	49-State
A/C rated output watts:	6500
A/C maximum output watts:	8000
A/C voltage	120/240VAC
A/C frequency	60 Hz
Rated 120/240 VAC amperage	27.1
Max 120/240 VAC amperage	33.3
Engine displacement	389cc
Engine type	OHV
Engine RPM	3600
Recommended oil	SAE30
Lubrication method	Splash sump
Choke type	Manual lever
Fuel shut off	Manual lever
Idle control	Full speed
Starting method	Manual
Battery	N/A
Battery size	N/A
Low oil shutdown method	Low level
Start switch type	On/Off toggle
Switch location	On engine
Single-point lifting eye	N/A
Fuel gauge	Built-in tank
Fuel tank capacity (Gal)	6.60
Fuel tank capacity (Ltrs)	24.98
Run time at 50% (Hours)	10.00
Cord set	N/A
Handle style	Folding
Wheel type	9.5" Solid wheels
Maintenance kit	Sold separately

Dimensions and weights

Length (L)	33.5
Width (W)	26.5
Height (H)	27.5
Extended length (EL)	47.0
Carton length	35.5
Carton width	26.5
Carton height	27.5
Unit Weight (lbs)	172.0
Shipping Weight (lbs)	180.0



Siemens Industry, Inc.
 Building Technologies Division
 5400 Triangle Parkway
 Norcross, GA 30092

1-800-964-4114
 info.us@siemens.com

©2010 Siemens Industry, Inc.
 All Rights Reserved. Siemens is a registered trademark of Siemens AG. Product names mentioned may be trademarks or registered trademarks of their respective companies. Specifications are subject to change without notice.

RPFL-PG065-0110

www.usa.siemens.com/generators