

Catalog Number: UAT121-PBCO

Features and Ratings

- Ring Type Meter Socket
- 135A Continuous, 135A Max., 600V AC
- Outdoor Enclosure (NEMA Type 3R)
- Painted Steel Enclosure
- 1 Phase, 3 Wire
- 5 Jaw Meter Socket, 5th Jaw Kit @ 9 o'clock Position
- Meter Socket Type UAT1
- For Underground Service Only

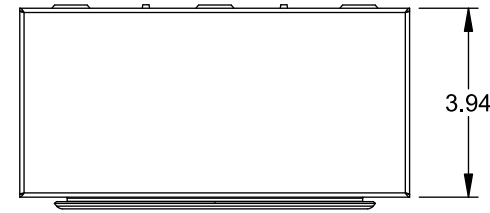
Accessories

Meter Opening Cover Plate
 Cat No: H659-0162
 5th Jaw Kit
 Cat. No: EC659-0121

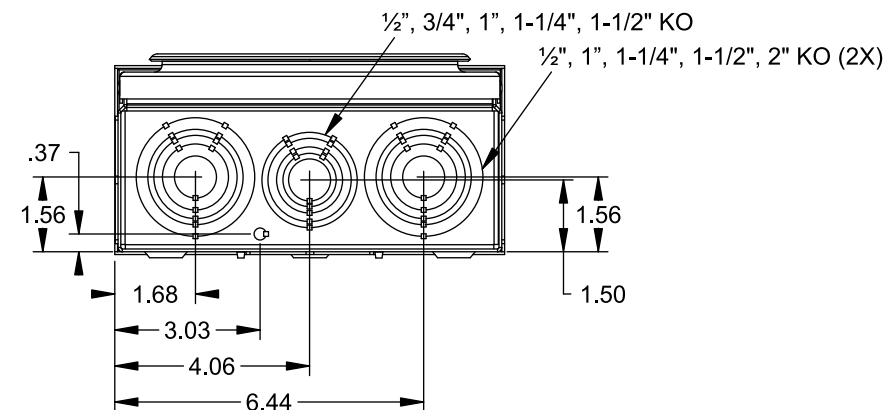
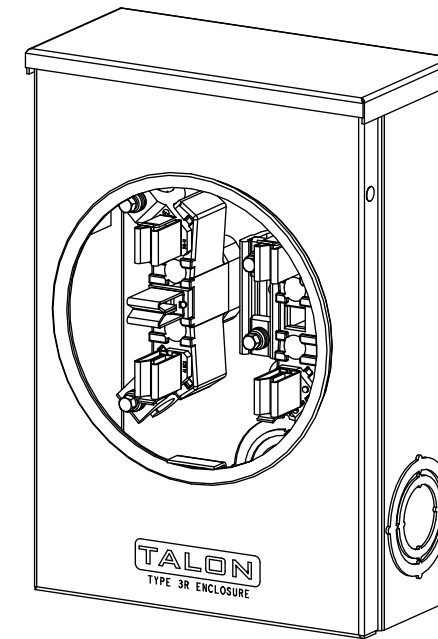
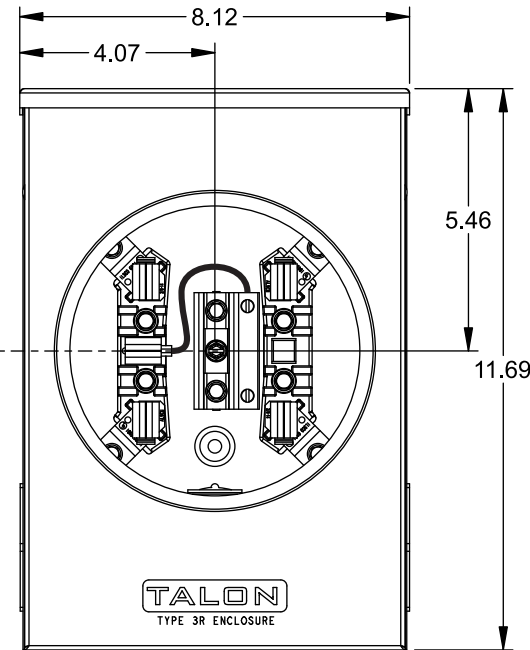
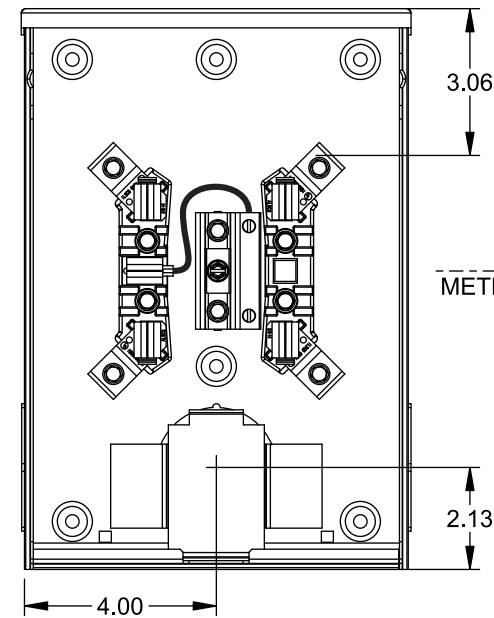
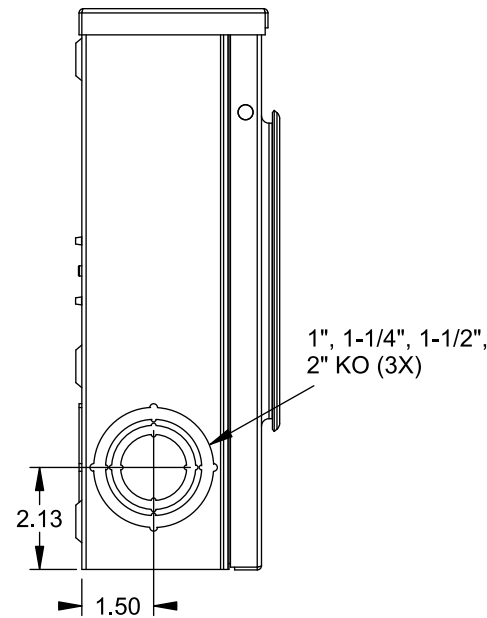
Connectors, Wire Sizes and Torques

CONNECTOR	WIRE SIZE	TORQUE
LINE, LOAD, NEUTRAL*	2/0 - 14 AWG	50 IN.-LBS.
GROUND	#2 - 14 AWG	50 IN.-LBS.

* External Hex Drive 5/16"



VIEW SHOWN WITH COVER REMOVED



© 2015 Copyright Siemens Industry, Inc.

TALON
Meter Socket

Description: **135A Cont, 5 Jaw, UAT1, 600V AC, Painted Steel Enclosure**

JEL 8/30/15 | DO NOT SCALE DRAWING | Dwg No: **UAT121-PBCO**