

Catalog Number: MC0606L1200RA

Features and Ratings

- Unit Rating: 200A Max., 120/240VAC
- Meter Socket Rating: 200A Continuous
- Ringless Type Meter Socket
- Outdoor Enclosure (NEMA Type 3R)
- Painted 5052-H32 Aluminum
- 1 Phase, 3 Wire
- 4 Jaw Meter Socket
- For Overhead or Underground Service
- RX Type Hub Opening, Cover Plate Installed
- 208Y/120 VAC, 1 Phase, 3 Wire with 5th Jaw Installed
(Derived From 3 Phase - 4 Wire System)

Accessories

CONDUIT HUBS (RX Type)

TRADE SIZE	CATALOG No.
1-1/4 INCH	EC38597
1-1/2 INCH	EC38598
2 INCH	EC38599
2-1/2 INCH	EC38600

CONDUIT HUBS (HC Type)

TRADE SIZE	CATALOG No.
2 INCH	ECHC200
2-1/2 INCH	ECHC250
3 INCH	ECHC300

Accessories

Filler plate

Cat No: QF3 or ECQF3

2/0 - #4 Lug Kit

Cat No: ECLK2

5TH Jaw Assembly

Cat No: EC5J2

Mechanical Breaker Interlock

Cat No: ECQML12

Meter Socket Jumper

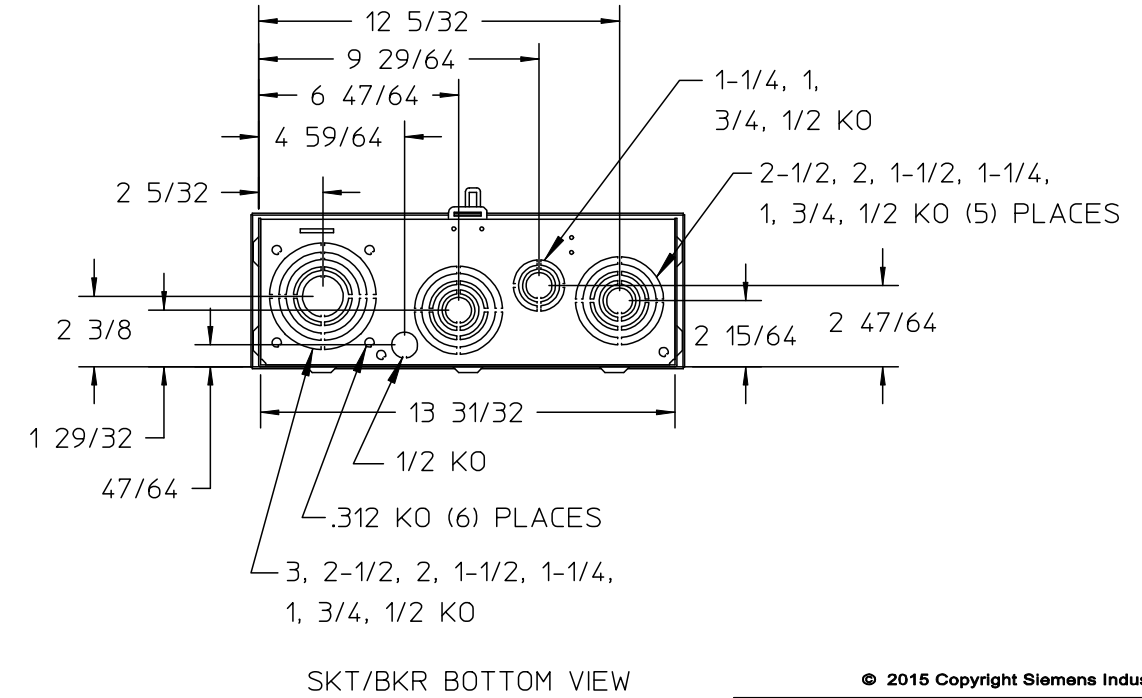
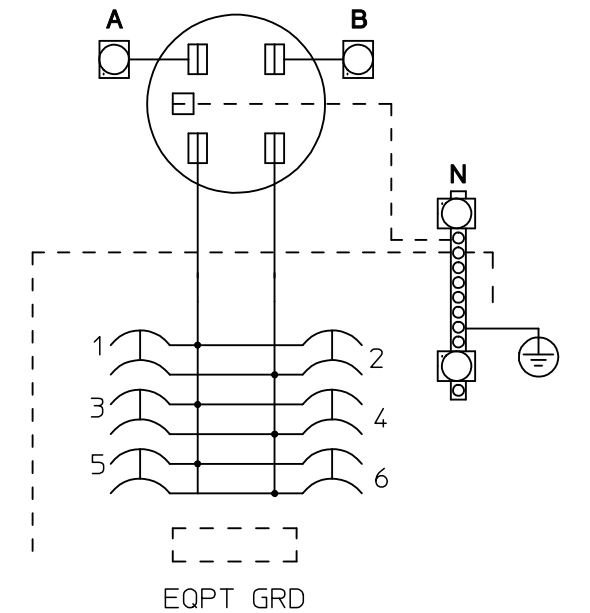
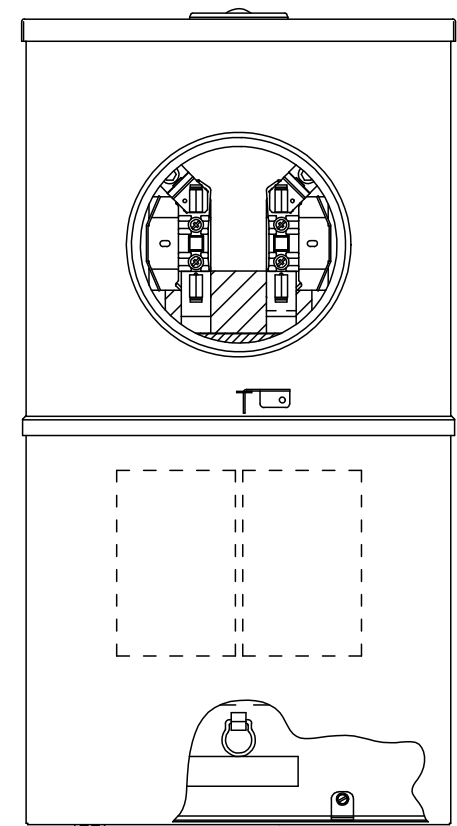
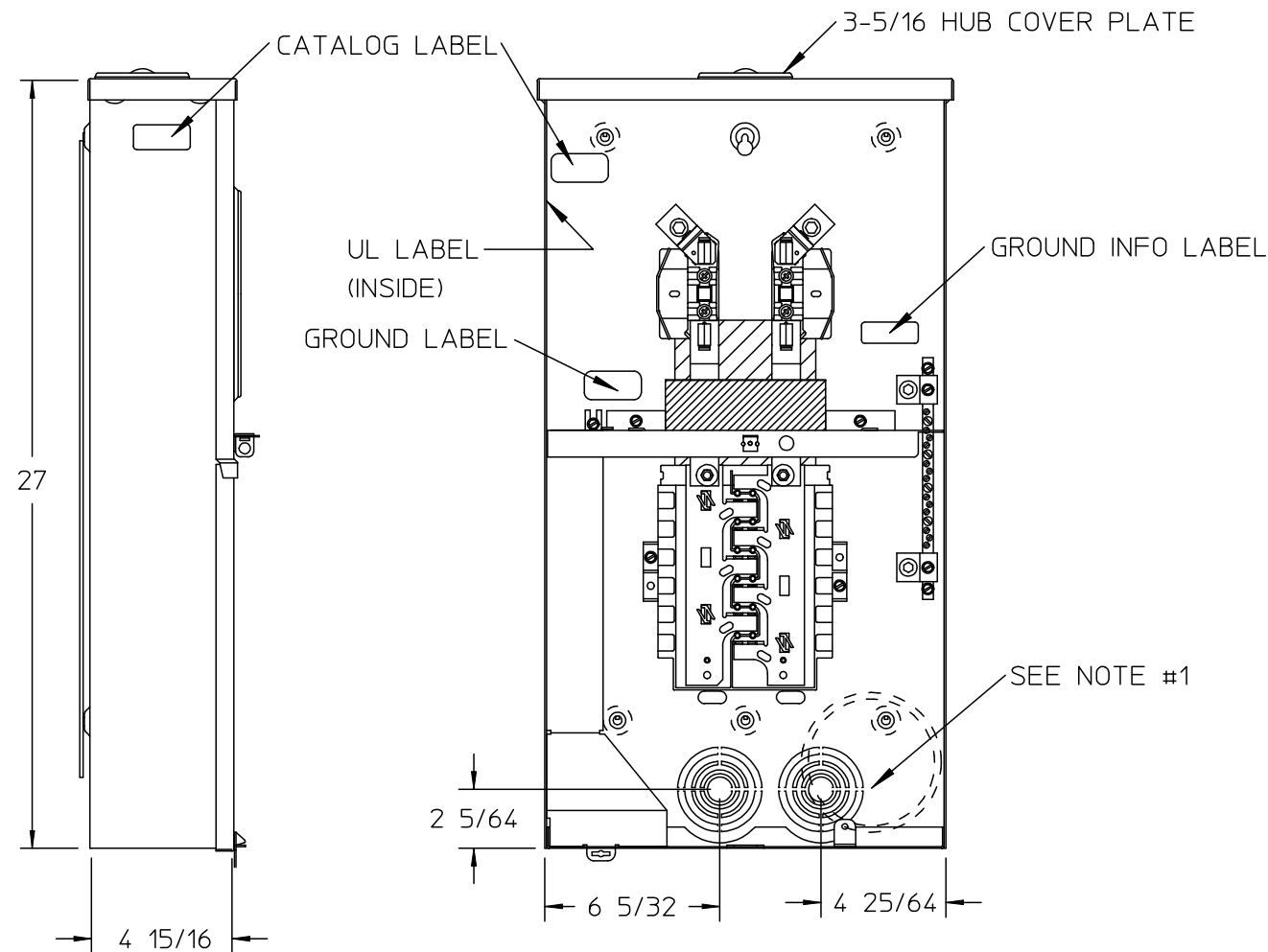
Cat No: ECJS

Equipment Grounding Bar

Cat No: ECGB20

Connectors, Wire Sizes and Torques

CONNECTOR	WIRE SIZE	TORQUE
A, B, AND N	#4 AWG - 250 kcmil	250 IN.-LBS.
NEUTRAL BAR		
SMALL TERMINALS:	14 - 10 AWG	20 IN.-LBS.
	8 AWG	25 IN.-LBS.
	6 AWG	35 IN.-LBS.
LARGE TERMINALS:	14 - 10 AWG	35 IN.-LBS.
	8 AWG	40 IN.-LBS.
	6 AWG	45 IN.-LBS.
	4 - 1/0 AWG	45 IN.-LBS.



METER COVER AND DEADFRONT REMOVED

NOTES:
1) PLACE ITEMS IN APPROX. LOCATION SHOWN

© 2015 Copyright Siemens Industry, Inc.

SIEMENS
Siemens Industry, Inc.

RAINPROOF COMBINATION METERING

Description:
SKT/BKR 200A 1P HCP

RB 6/29/15 DO NOT SCALE DRAWING Dwg No: MC0606L1200RA