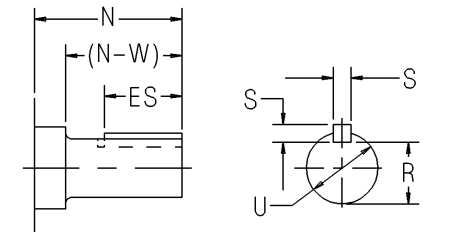
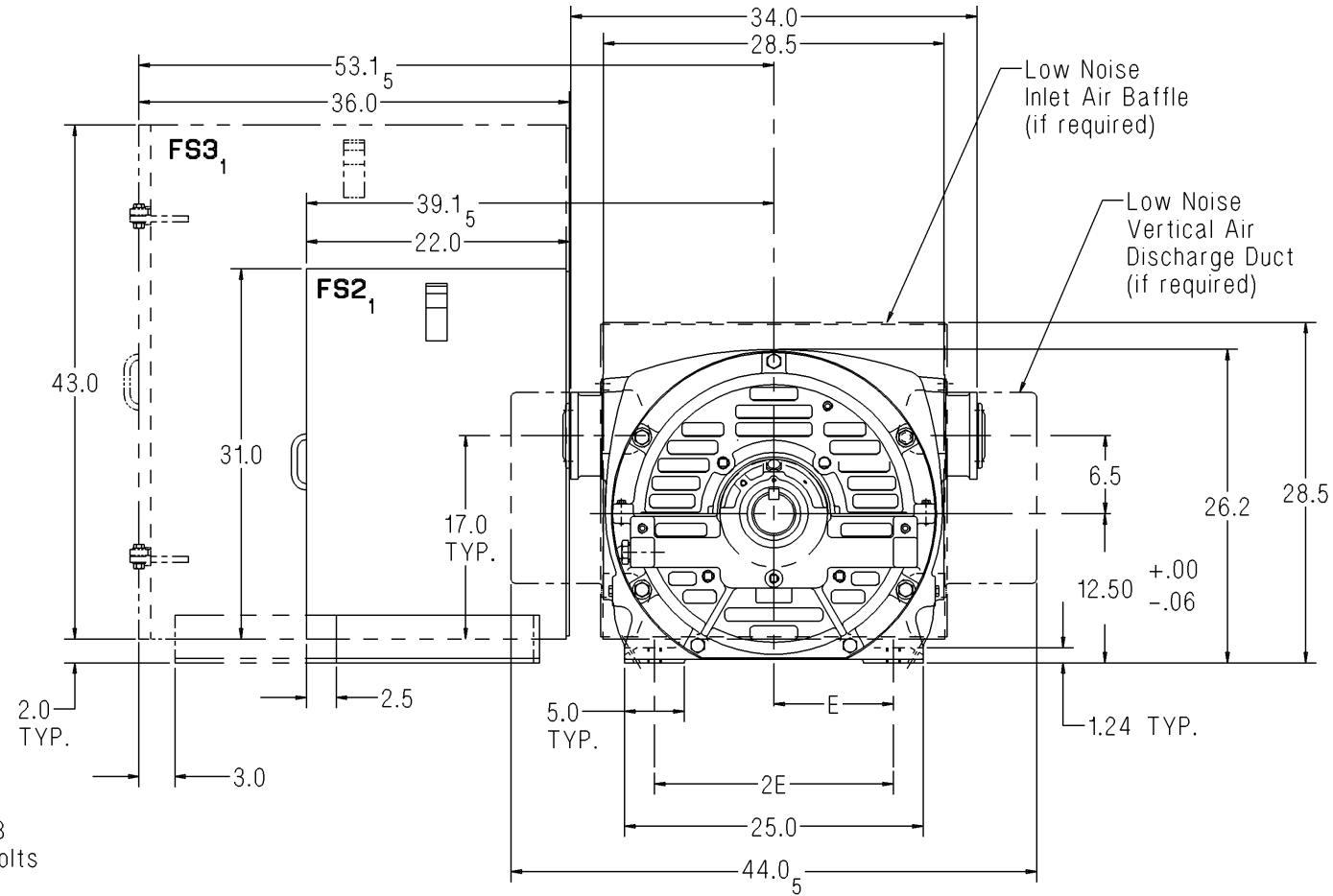
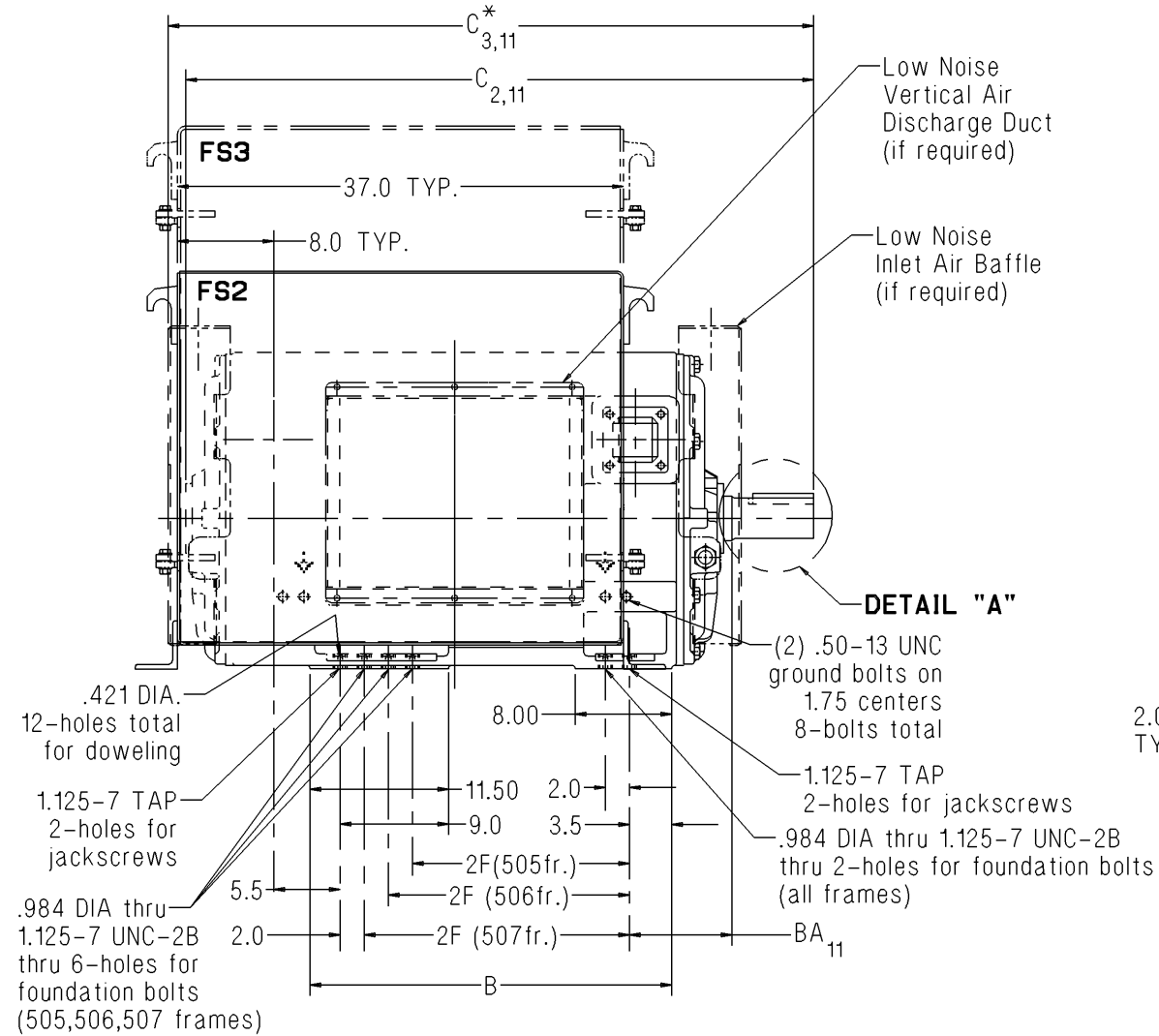
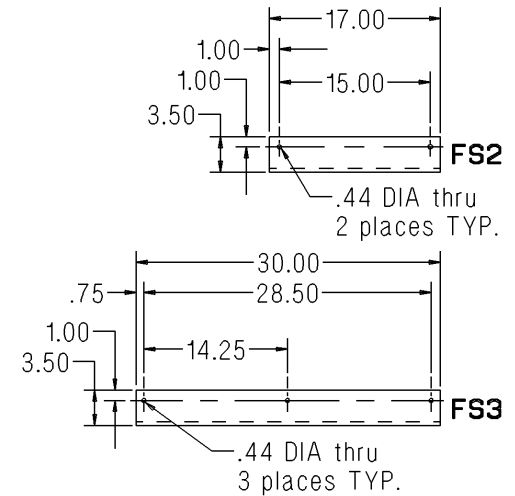


Dimension Prints for Above NEMA Motors



DETAIL "A"



BOX FEET DIMENSIONS

Lubrication Per Bearing	
2 Pole	4 Pole & Slower
140-160 SUS @ 100°F	290-350 SUS @ 100°F
1.4 qt. capacity	1.4 qt. capacity

- Notes:**
1. Main conduit box is free standing and must be supported from below by customer. A removable bottom plate is supplied on the FS2 and FS3 conduit boxes.
 2. C = Length of motor from drive end of shaft to end of non-drive end of motor.
 3. C* = Length of motor from drive end of shaft to edge of low noise inlet air baffle.
 4. V = (N-W) - 0.25" = length of shaft available for coupling.
 5. Adding a low noise vertical air discharge duct requires a 6.0" spacer for the FS2 and FS3 conduit boxes. All associated conduit box dimensions will change accordingly.
 6. 2 Pole machines may rotate in one direction only.
 7. Shims may be necessary under motor feet for direct connection.
 8. Rotor end float = 0.5"
 9. End float of LEF coupling = 0.19"
 10. Adding a rotating labyrinth seal to the drive end does not change any dimensions.
 11. When adding a ground brush, consult the factory. (BA, C, and C* will increase.)
 12. For motors equipped with provisions for proximity probes use this print for our standard internal mounting.

Standard Dimensions in Inches

Shaft	Frame	Speed	B	BA ₁₁	C _{2,11}	C* _{3,11}	E	2F	N	(N-W)	R	S	U	V ₄	ES	Approx. Ship Wt. (Lbs)
Short	505S	2 Pole	30.0	8.50	50.6	53.5	10.00	18.0	5.95	5.25	2.275	0.625	2.625	5.00	3.5	3800
Short	505S	4 Pole & Slower	30.0	8.50	52.1	55.0	10.00	18.0	7.45	6.75	2.880	0.875	3.375	6.50	5.0	4100
Short	506S	2 Pole	30.0	8.50	50.6	53.5	10.00	20.0	5.95	5.25	2.275	0.625	2.625	5.00	3.5	3800
Short	506S	4 Pole & Slower	30.0	8.50	52.1	55.0	10.00	20.0	7.45	6.75	2.880	0.875	3.375	6.50	5.0	4100
Short	507S	2 Pole	30.0	8.50	50.6	53.5	10.00	22.0	5.95	5.25	2.275	0.625	2.625	5.00	3.5	3800
Short	507S	4 Pole & Slower	30.0	8.50	52.1	55.0	10.00	22.0	7.45	6.75	2.880	0.875	3.375	6.50	5.0	4100

Certification: Customer _____ P.O. _____ S.O. _____ Item _____
 HP _____ RPM _____ Frame _____ PH/Hz/Volts 3/_____/_____
 By _____ Date _____ Terminal Box Size FS2 FS3
 Comments _____
 Not for construction, installation or application purposes unless certified.