

SIEMENS BBKVA52P3HW

Instructions for Hardware Kit

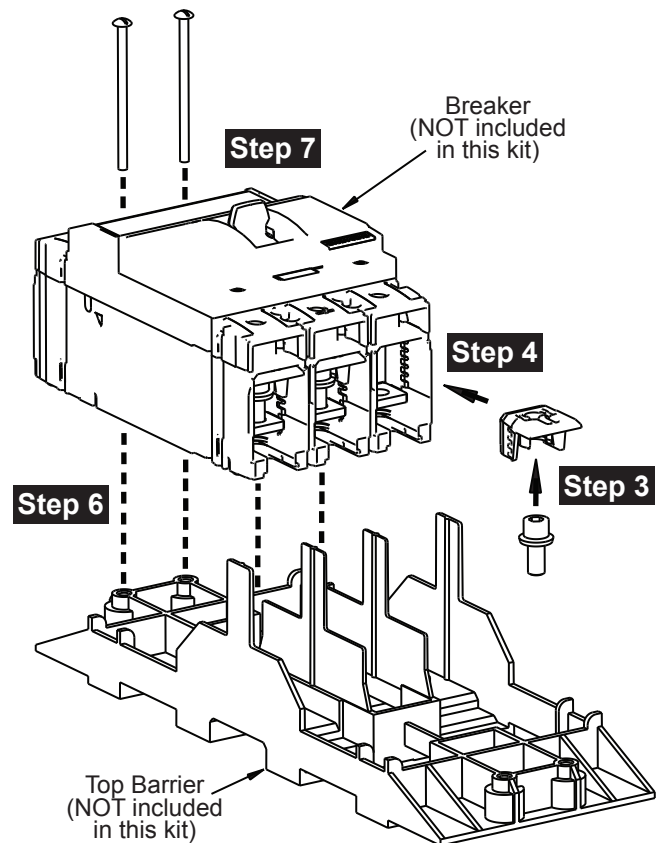
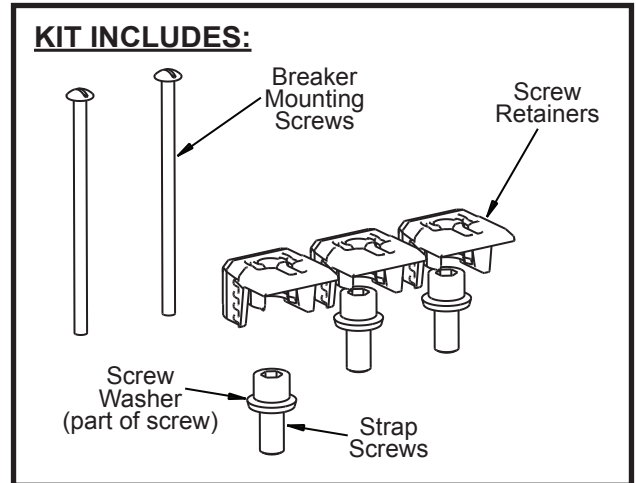
for use in FAS (3VA52) Breaker installations in a P3 panel



KIT INCLUDES: Qty. (3) Screw Retainers, Qty. (3) Strap Screws and Qty. (2) Breaker Mounting Screws

THESE INSTALLATION INSTRUCTIONS SUPERSEDE THE INSTRUCTIONS PROVIDED WITH THE CIRCUIT BREAKER FOR APPLICATIONS ABOVE 500V.

1. Lock off ALL power supplying this equipment before working on it.
2. Remove the panelboard front cover and deadfront.
3. Install a strap screw into the underside of a screw retainer, pushing gently for a snug fit. Ensure that only the screw head is captured by the retainer; the screw washer should NOT be captured in the retainer plastic.
4. Next, slide the screw retainer assembly into a pole on the "ON"-side of the FAS breaker housing. When inserted properly, a gentle click can be heard and/or felt as the retainer clasp engages the breaker.
5. Repeat Steps 3 and 4 as needed (once more for a 2-pole, twice more for a 3-pole).
6. Once all necessary screw retainer assemblies are in place, slide the breaker onto the top barrier so that the barrier's vertical barrier walls penetrate between the "ON"-side poles on the breaker housing.
7. Position breaker properly, aligning the mounting holes on the "OFF"-side of the breaker housing with the top barrier mounting holes. Insert the two breaker mounting screws and hand-tighten for now.
8. Loosely fasten the screws from the screw retainer assemblies to the straps below them.
9. Tighten all screws to the torque values specified on the back of the deadfront (or table below).
10. **Before energizing the panel**, ensure that the deadfront, barriers and fillers are all in place and secure, that the panelboard front cover is properly installed and that the door is closed / latched / locked.



SCREW	SIZE	TORQUE
Strap	5/16"-18 x 3/4" SHWHS	144 lb-in
Breaker Mounting	#8-32 x 3-1/4" SRHMS	20 lb-in

Contact Siemens Sales Office if considering usage in applications other than as shown.

These instructions do not purport to cover all details or variations in equipment, or to provide for every possible contingency to be met in connection with installation, operation or maintenance. Should further information be desired or should particular problems arise, which are not covered sufficiently for the purchaser's purposes, the matter should be referred to the local Siemens sales office. The contents of this Instruction manual shall not become part of or modify any prior or existing agreement, commitment or relationship. The sales contract contains the entire obligation of Siemens. The warranty contained in the contract between the parties is the sole warranty of Siemens. Any statements contained herein do not create new warranties or modify the existing warranty.

Trademarks-Unless otherwise noted, all names identified by © are registered trademarks of Siemens AG or Siemens Industry, Inc. The remaining trademarks in this publication may be trademarks whose use by third parties for their own purposes could violate the rights of the owner.