

# TALON

## Outdoor Uni-PAK All-In-One Metering

Catalog Number

**WTG3311, WTG3311RJ, WTG3311RJB  
WP3311, WP3311RJ, WP3311RJB**

Enclosure

**Type 3R**

Main Bus Rating: 300 Amps  
120/240 V~, 1 Phase, 3 Wire  
208Y/120 V~, 1 Phase, 3 Wire  
(5th jaw may be required)

Meter Socket Rating: 125A Continuous  
Branch Rating: 125A Max.

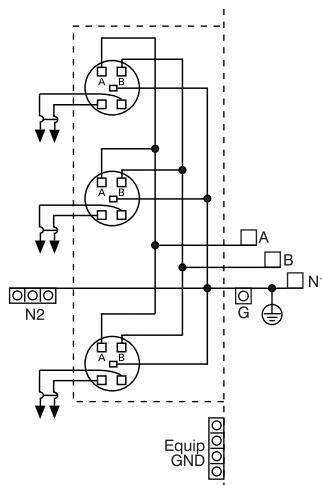
For installation by Qualified Person in accordance with all local electrical codes and/or the National Electrical Code ®.

**Suitable Only For Use As Service Equipment.** Install no more than six main disconnecting means.

For overhead or underground service.

**Use 60/75°C Copper or Aluminum Conductors** for all panel terminals and on circuit breaker terminals when breakers are so marked.

| Terminal                 | Wire Size            | Torque    |
|--------------------------|----------------------|-----------|
| A, B, N1                 | 600 kcmil - #2 AWG   | 375 LB-IN |
| G                        | 300 kcmil - #4 AWG   | 275 LB-IN |
| N2/Equip<br>GND          | #2/0 - 4 AWG         | 110 LB-IN |
| Alt. Lug Kit<br>WPLK2400 | (2) 300 kcmil-#4 AWG | 275 LB-IN |



# TALON

## Outdoor Uni-PAK All-In-One Metering

General Information:

Circuit breaker overload trip position is indicated by handle position midway between ON and OFF. To reset, move handle to OFF position, then turn ON.

### Short Circuit Current Rating

The maximum short circuit current rating of this device is 100,000 RMS symmetrical amperes, 120/240 V~. The actual rating is limited to the lowest interrupting rating of any circuit breaker installed. Use only Siemens type QP, QPH, HQP, HQPH, LQ, MP-T, MP-HT or MP-MT circuit breakers. Use of other circuit breakers in this device will void the warranty.

### Accessories

5th Jaw, 6 or 9 o'Clock Position, . . . . . ECMF5  
 Insulated 5th Jaw, 6 or 9 o'Clock Pos. . . ECMF5i  
 Meter Socket Cover Plate (Ring Type) . . . ECPP  
 Meter Socket Cover Plate (Ringless) . . . ECPP3  
 Horn By-Pass (Ringless Only). . . . . ECMFH

### Use HD Type Hubs if required

| Trade Size (in)         | Catalog No. |
|-------------------------|-------------|
| 3"                      | H56856-2    |
| 3-1/2"                  | H56857-2    |
| 4"                      | H56858-2    |
| Closure Plate . . . . . | H56933      |

**Important:** Do not allow petroleum based (hydrocarbon) sprays, chemicals, solvents or any paint to contact interior components. Petroleum based chemicals can cause degradation of electrical insulating materials.