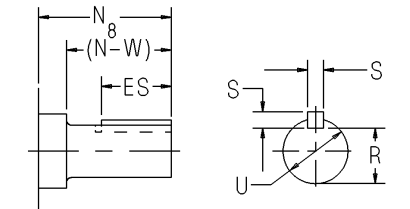
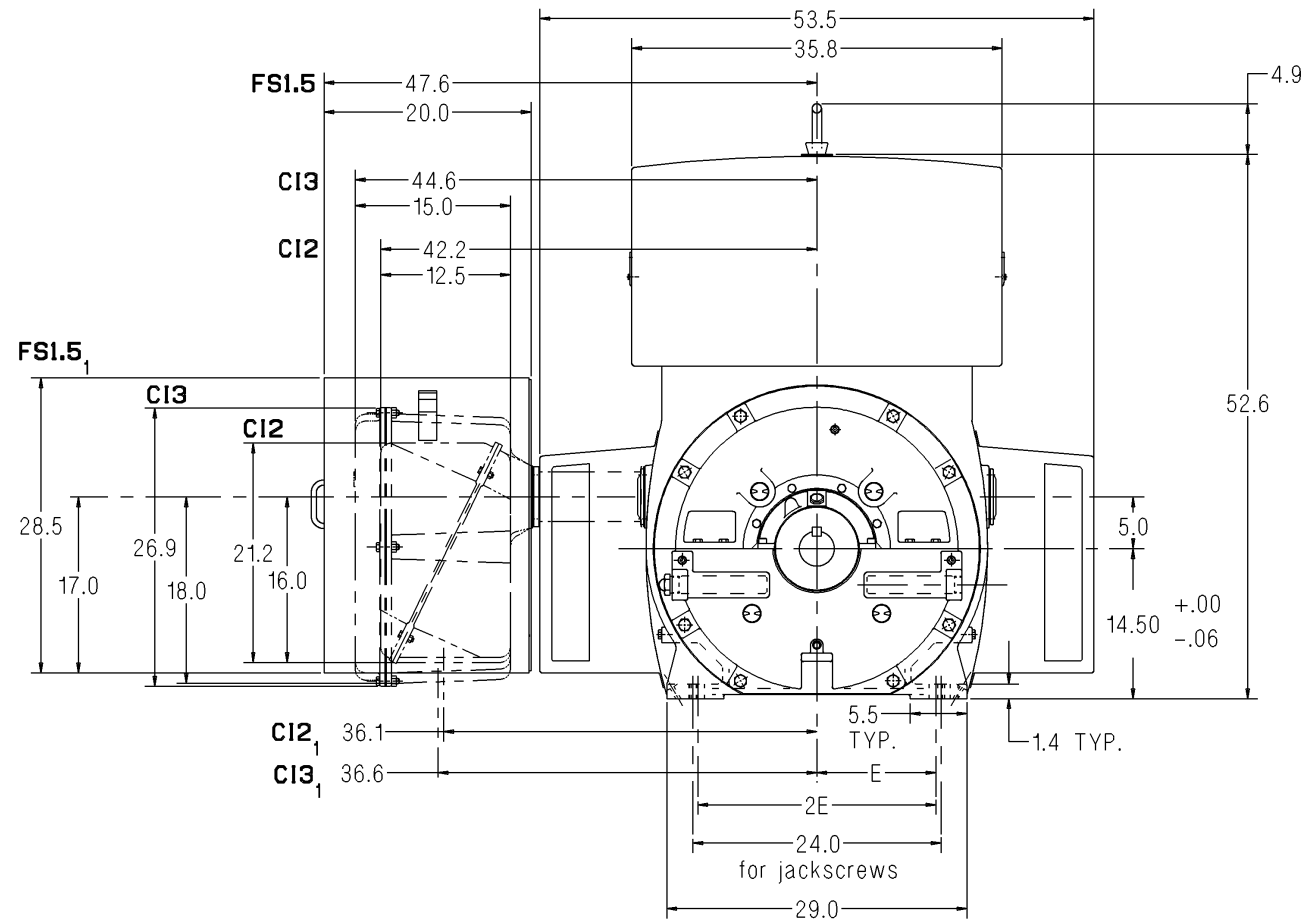
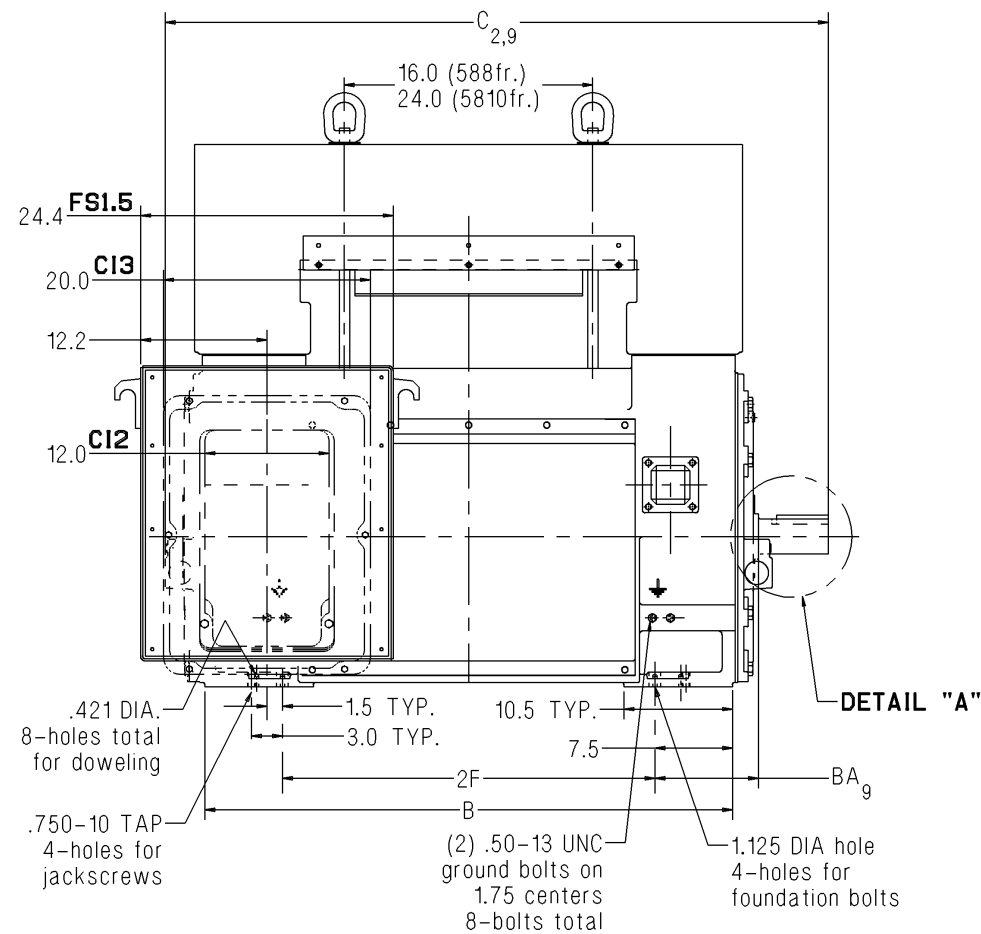


SIEMENS

Dimension Prints for Above NEMA Motors

Type CG – Horizontal – Open Drip Proof / Weather Protected Type I
Sleeve Bearing – Direct Connected
Frames 588 / 5810 – 2 & 4 Pole – Rotatable Main Conduit Box



DETAIL "A"

Notes:

- Main conduit box may be rotated in steps of 90°. A removable bottom plate is supplied on the FS1.5 conduit box. A 5.0 N.P.T. is supplied on the C12 and C13 conduit boxes. A 10.75" spacer is supplied on both frames for all rotatable conduit boxes.
- C = Length of motor from drive end of shaft to end of non-drive end of motor.
- V = (N-W)-0.25" = length of shaft available for coupling.
- 2 Pole machines may rotate in one direction only.
- Shims may be necessary under motor feet for direct connection.
- Rotor end float = 0.5"
- End float of LEF coupling = 0.19"
- Adding a rotating labyrinth seal to the drive end decreases N by:
2 Pole: 0.28" 4 Pole: 0.28"
- When adding a ground brush, consult the factory. (BA and C will increase.)
- For motors equipped with provisions for proximity probes use this print for our standard internal mounting.

Lubrication Per Bearing	
2 Pole	4 Pole
140-160 SUS @ 100°F	290-350 SUS @ 100°F
3.5 qt. capacity	3.5 qt. capacity

Standard Dimensions in Inches

Shaft	Frame	Speed	B	BA ₉	C _{2,9}	E	2F	N ₈	(N-W)	R	S	U	V ₃	ES	Approx. Ship Wt. (Lbs)
Short	588S	2 Pole	43.0	10.00	56.1	11.5	28.0	7.13	6.75	2.880	0.875	3.375	6.50	5.0	5200
Short	588S	4 Pole	43.0	10.00	57.3	11.5	28.0	8.38	8.00	3.436	1.000	4.000	7.75	6.0	5400
Short	5810S	2 Pole	51.0	10.00	64.1	11.5	36.0	7.13	6.75	2.880	0.875	3.375	6.50	5.0	6350
Short	5810S	4 Pole	51.0	10.00	65.3	11.5	36.0	8.38	8.00	3.436	1.000	4.000	7.75	6.0	6550

Certification: Customer _____ P.O. _____ S.O. _____ Item _____
 HP _____ RPM _____ Frame _____ PH/HZ/Volts 3/_____/_____
 By _____ Date _____ Terminal Box Size C12 C13 FS1.5
 Comments _____
 Not for construction, installation or application purposes unless certified.

CG_580_2-4PL_SLV_ROT
Revision 02
01/27/09