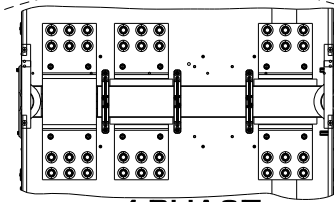


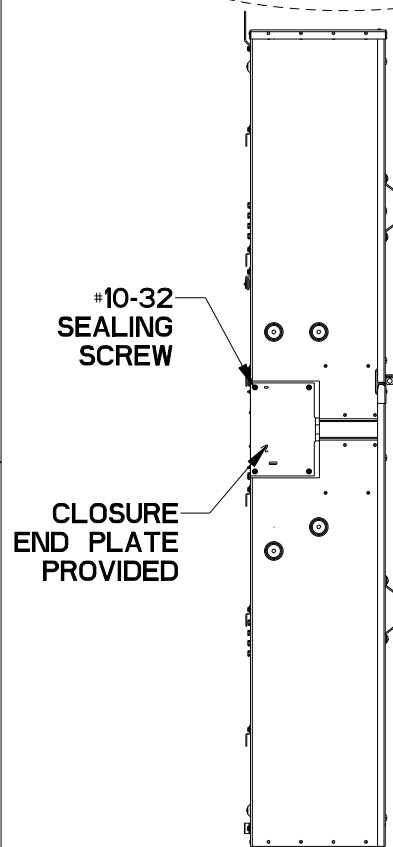
Catalog Numbers, Features and Ratings

WT11200PUNH	1-PHASE
WT31200PUNH	3-PHASE

- MODULE RATING: 1200 AMPS MAX, 240V AC MAX.
- 100,000 AIC RATING MAX.
- ADDED MOUNTING RAILS AND BRACKETS FOR SECURE MOUNTING
- EUSERC COMPLIANT CONSTRUCTION



1-PHASE BUS CONFIGURATION



#10-32 SEALING SCREW

CLOSURE END PLATE PROVIDED

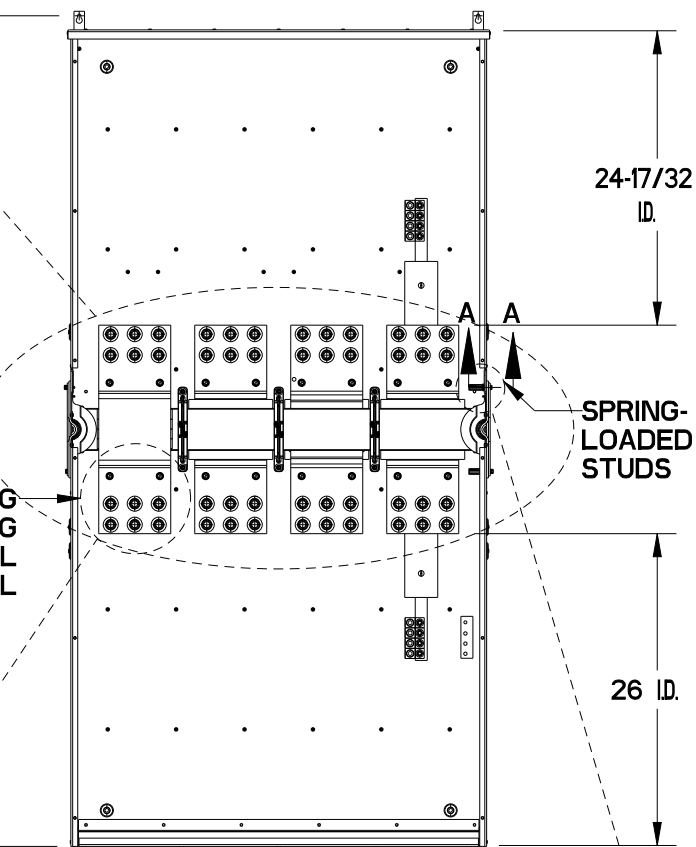
1-3/4 TYP

2" TYP

TYP. LUG LANDING TERMINAL

69-7/32 TO HANGING BRACKET MOUNTING POSITION

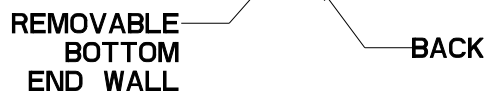
SEE LUG LANDING TERMINAL DETAIL



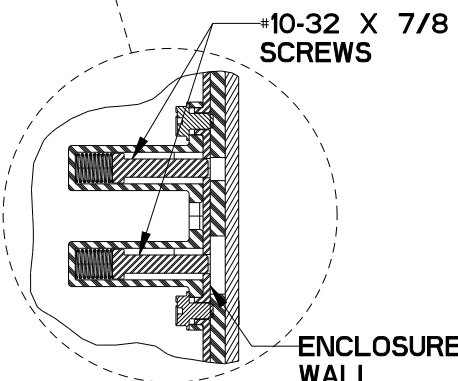
WT31200PUNH (3-PHASE) SHOWN SHOWN WITHOUT COVERS

REMOVABLE BOTTOM END WALL

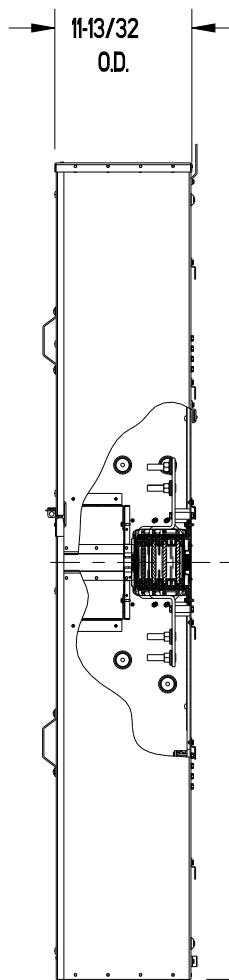
BACK



SPRING LOADED STUDS THRU SECTION A-A



PARTIAL SECTION B-B



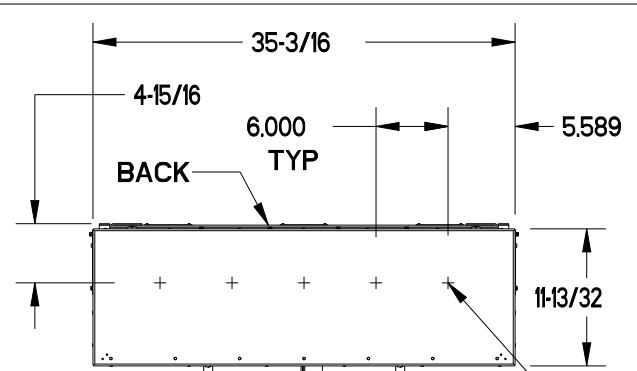
34-3/4 TO THE CROSS BUS CENTER

QUIKROLL BRACKETS (3) PLCS

STIFFENING RAILS (6) PLCS

STIFFENING RAILS (6) PLCS

46-3/8 TO THE BOTTOM OF QUICK ROLL BRACKET



(5) CENTER PUNCH LOCATORS

TOP VIEW

Replacement Parts, Accessories, and Additional Modules

FOR USE WITH:

Module Description	Siemens Series No.	Murray Series No.
Main Breakers	(W)MC, WB, WEB	DB W
Switches	WMP, WMS, WS, WES	DPT W, DT W
Tap/Terminal Boxes	WMTB, WTB, WET	DTB W
Pull Boxes	WMMB, WPB, WAPB	DPB W
Meter Modules	WMM, WxMM, WMT, WML, WMK	DG.W, DC.W, DL.W
Extension Box	WMEX	DS
Bussed Elbow	BE	DL

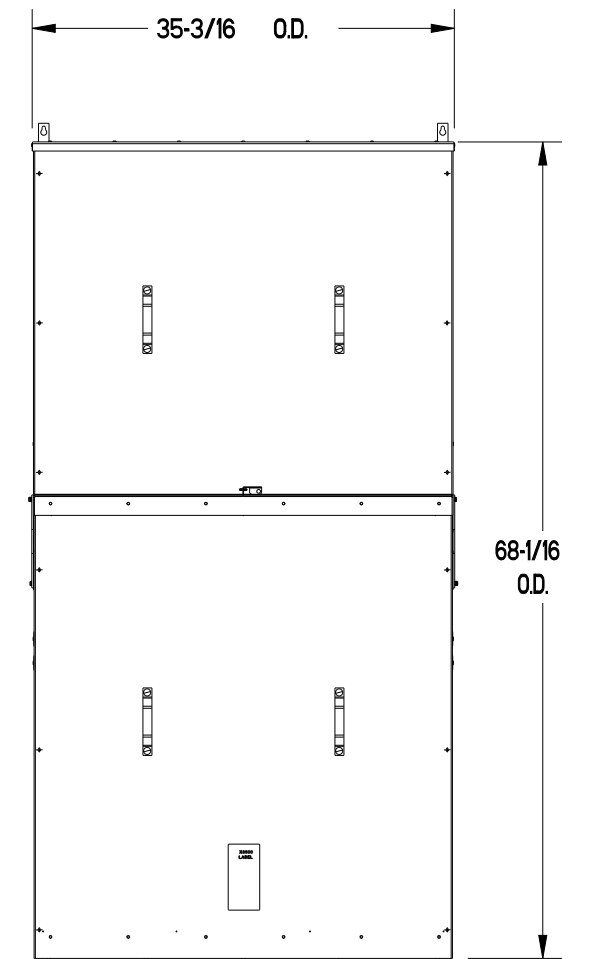
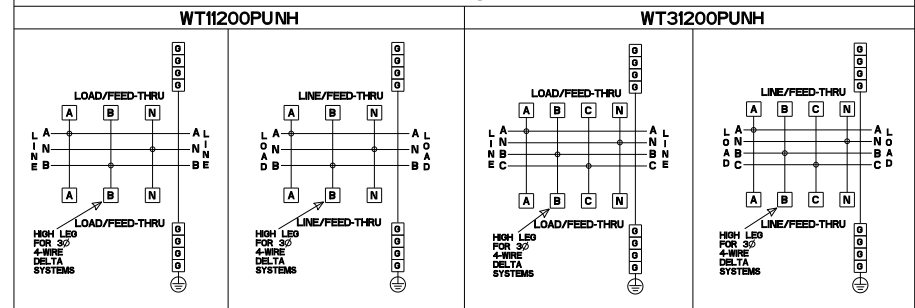
Siemens Accessories	Catalog Number	Req'd Torque
Single Bolt Joint (1ph)	QC1 or SBJ1	400-480 LB-IN [35-40 FT-LBS]
Single Bolt Joint (3ph)	QC4 or SBJ4	
GND Bar Kit	ECLX069M	N/A
Hub Cover Plate	ECHV000	N/A

Lugs for Phase and Neutral Connections (not supplied)

NEMA Lug ①	MFG	Wire Range	Type	No. Wires per phase	Torque (lb-in.)
LK13750N2E	SIEMENS	500-750 KCMIL	MECHANICAL	3	500 ②
LK33750N2E	SIEMENS	500-750 KCMIL	MECHANICAL	3	500 ②
LK14500N2E	SIEMENS	1/0-500 KCMIL	MECHANICAL	4	500 ②
LK34500N2E	SIEMENS	1/0-500 KCMIL	MECHANICAL	4	500 ②
2ACL-500	ILSCO	500 KCMIL	COMPRESSION	4	N/A ②
2ACL-750	ILSCO	750 KCMIL	COMPRESSION	3	N/A ②

① Order one mechanical lug kit for mains and neutral. Contact Lug manufacturer for compression lug quantities supplied for each kit.
 ② Kit contains more than one lug type. Reference kit instruction sheet for the actual torque value for each lug type.
 ③ See lug manufacturer's instruction sheet supplied with the connector for tool, die and number of crimps.

1200A Feed-Thru Tap Box Schematics



FRONT VIEW SHOWN WITH COVERS INSTALLED

Siemens Industry, Inc.
Building Technologies Division

PowerMod™ Tap Boxes

WT11200PUNH & WT31200PUNH
FEED-THRU TAP BOXES - NO HUB OPENINGS

SIZE B	DWG. NO.	1200A_FT-NH_TAP-BXS	
DWN: JKH	DATE: 11/17/2011	SHEET 1 OF 1	