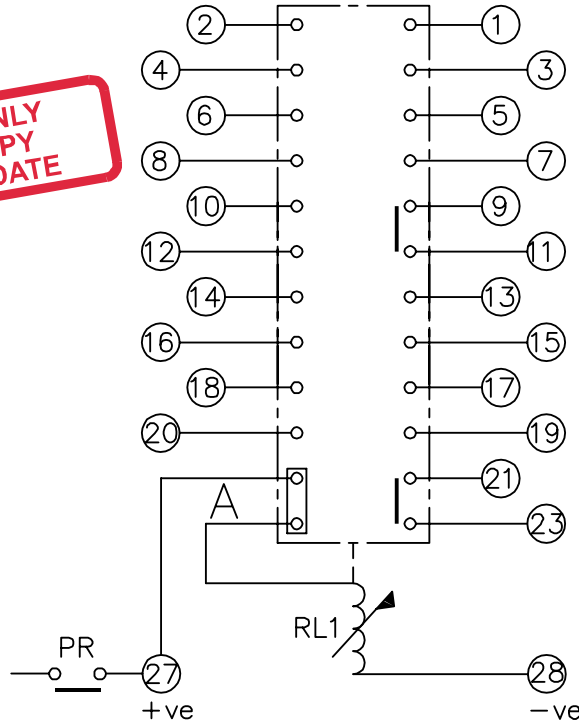


LOOKING ON FRONT OF RELAY

2112W50004

**FOR INFORMATION ONLY
UNCONTROLLED COPY
NOT SUBJECT TO UPDATE**



**PRINTED ON 15/11/2005
ENSURE CORRECT REVISION
DESTROY AFTER USE**

KEY

- ○ make contact
- ⊠ break contact
- c/o contact
- ⊖ ext. conn
- ⌒ plug bridge - shorting
- ⊙ metering point
- 5Kv barrier
- ⌈ test socket - shorting
- ⊕ plug & socket

CONTACT CONFIG.	OUTPUT CONTACT PAIR / TERMINAL No.											
	1-3	2-4	5-7	6-8	9-11	10-12	13-15	14-16	17-19	18-20	21-23	24-26
11M	M	M	M	M	M	M	M	M	M	M	M	M
10M 1B	M	B	M	M	M	M	M	M	M	M	M	M
9M 2B	B	B	M	M	M	M	M	M	M	M	M	M
8M 3B	B	B	M	B	M	M	M	M	M	M	M	M
7M 4B	B	B	B	B	M	M	M	M	M	M	M	M
6M 5B	B	B	B	B	M	B	M	M	M	M	M	M
5M 6B	B	B	M	B	M	M	B	B	B	M	M	M
4M 7B	B	B	B	B	M	M	B	B	B	B	M	M
3M 8B	B	B	B	B	M	B	B	B	B	B	M	M
2M 9B	B	B	B	B	M	B	B	B	B	B	M	M

NOTE:
1. CONTACT CONFIGURATION ABOVE IS REQUIRED FOR RELAY OPERATION. FOR DETAILS OF VARIABLE CONTACT OPTIONS SEE TABLE OPPOSITE.

FRAME REFERENCE: E2FAQM.
FRAME TERMINAL BLOCK ASSY: -
ASSEMBLY INSTRUCTIONS: -
TYPICAL ASSEMBLY DRAWING 2995G10032.
AT INDICATED POSITIONS FIT AS FOLLOWS:
T - FIT TRIP ISOLATION CONTACT 2995B10053
S - FIT STANDARD CONTACT 2995B10054
SECURE CONTACTS USING FIXING SCREW 2109F99009.
POSITIONS SHOWN BLANK ARE UNUSED

2	T	T	1
4	T	T	3
6	T	T	5
8	T	T	7
10	T	T	9
12	T	T	11
14	T	T	13
16	T	T	15
18	T	T	17
20	T	T	19
22		T	21
24		T	23
26			25
28	S	S	27

VIEW FROM NUMBERED SIDE OF BLOCK

OUTER TERMINAL BLOCK ASSY: -
ASSEMBLY INSTRUCTIONS: -
TYPICAL ASSEMBLY DRAWING 2995G10029.
AT INDICATED POSITIONS FIT AS FOLLOWS:
S - FIT STANDARD CONTACT 2995B10051
HC - FIT 'HEAVY CURRENT' KIT 2995G10030
WHERE ⊖ ⊖ IS SHOWN FIT CT SHORTING KIT 2995G10031
POSITIONS SHOWN BLANK ARE UNUSED.
ALL POSITIONS FIT SCREW 2106F12506.

2	S	S	1
4	S	S	3
6	S	S	5
8	S	S	7
10	S	S	9
12	S	S	11
14	S	S	13
16	S	S	15
18	S	S	17
20	S	S	19
22		S	21
24		S	23
26			25
28	S	S	27

VIEW FROM INSIDE FACE

2 RDW 1	11/11/05	MN112/2744	Reyrolle Protection Hebburn.	Original Scale. 	First used on:
	13/04/99				Similar Articles:
	ISSUE	DATE			MOD.No.
DRAWN: A.LAW. CHECKED: APPROVED: R.D.WATSON DATE: 16/07/02			Drg.No. 2112W50004		
Copyright © 1998 Reyrolle Ltd.					