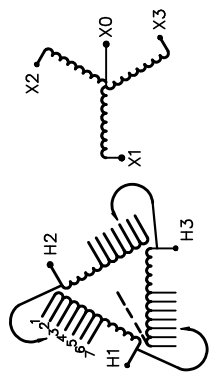


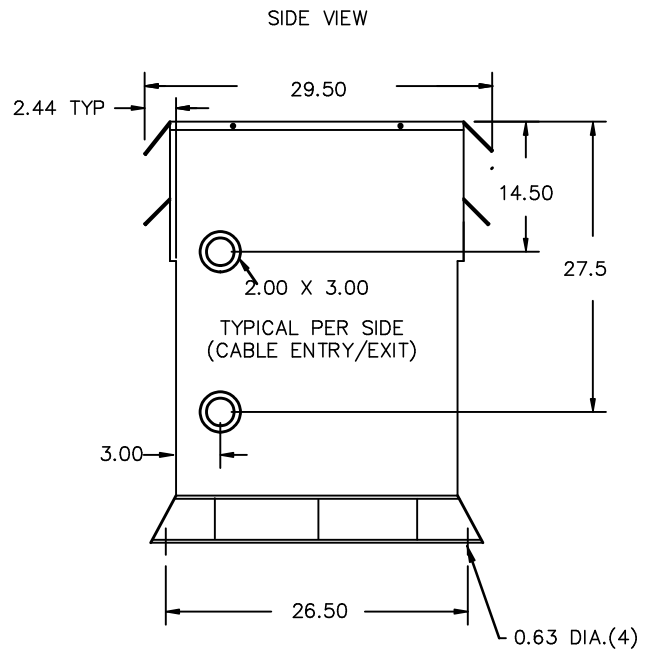
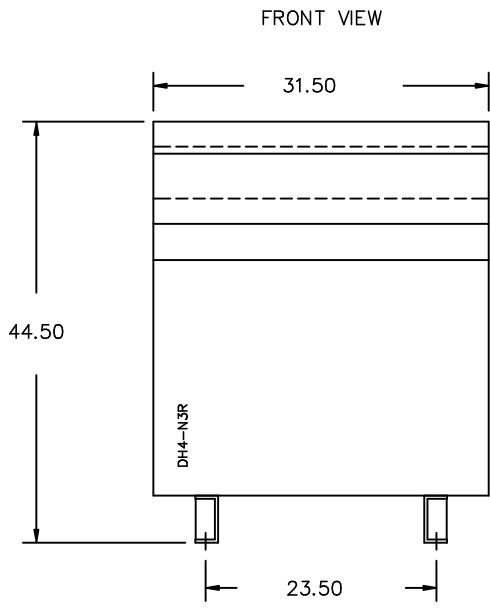
REVISION	DATE	BY	DATE	BY
		DRAWN	17/05/23	RM
		CHEK'D		
		VERIF'D		

Siemens Industry, Inc.	
CUSTOMER	
ORDER NO.	DWG. NO.
	3F5Y225FCD16
	SH 1 OF 3

# SIEMENS

<p>CATALOG NO. 3F5Y225FCD16</p> <p>SERIAL NO.</p> <p>225 kVA 60 Hz 3 PHASE</p> <p>3.4 % IMP AT 135 °C</p> <p>115 °C RISE 30 °C AVG. AMBIENT</p> <p>220 °C TEMP CLASS 40 °C MAX. AMBIENT</p> <p>PRIMARY ( H1 H2 H3 ) 480 V 10 kV BIL</p> <p>SECONDARY( X0 X1 X2 X3 ) 480Y/277 V 10 kV BIL</p> <p>WINDING MATERIAL CU</p> <p>ENCLOSURE TYPE 3R WEIGHT 1550 LBS</p> <p>ENERGY EFFICIENCY EXCEEDS CSA C802.2-2012 DOE 10 CFR PART 431:2016</p> <p>SPACINGS BETWEEN ANY VENTILATED ENCLOSURE PANEL AND ANY ADJACENT WALL SHALL BE A MINIMUM OF 5 INCHES EXCEPT WHEN WALL MOUNTED USING APPROVED WALL MOUNTING KIT</p> <p>SUITABLE FOR INDOOR OR OUTDOOR LOCATIONS BEFORE HANDLING, INSTALLING AND OPERATING, SEE INSTRUCTION MANUAL</p> <p>NEMA Class ANN Dry Type Transformer Siemens Industry, Inc. Norcross, GA <small>dsu0086e</small></p>	<p style="text-align: center;">SERIES H</p> <p style="text-align: center;">3 PHASE</p>  <p style="text-align: center;">CONNECT</p> <p style="text-align: center;">VOLTS</p> <p style="text-align: center;">1 2 3 4 5 6 7</p> <p style="text-align: center;">504</p> <p style="text-align: center;">492</p> <p style="text-align: center;">480</p> <p style="text-align: center;">468</p> <p style="text-align: center;">456</p> <p style="text-align: center;">444</p> <p style="text-align: center;">432</p>	<p style="text-align: center;">TYPE K</p> <p style="text-align: center;">UL LISTED</p> <p style="text-align: center;">DRY TYPE TRANSFORMER E112313</p> <p style="text-align: center;">SP® LR 3902</p> <p style="text-align: center;">SEISMIC QUALIFICATIONS, FLOOR MOUNT ONLY</p> <p style="text-align: center;">OSP-0136-10 IBC 2012/ASCE 7-10</p> <p style="text-align: center;">SDS&lt;=2.0g Z/h=1 Ip=1.5</p>
---	--	--





All Dimensions in inches

ENCLOSURE COLOR :ANSI 61 GREY – OUTDOOR

HV TERMINAL DETAIL

LV TERMINAL DETAIL

MECHANICAL TYPE LUGS INCLUDED  
SUITABLE FOR 350MCM-6 CU/AL  
CONDUCTORS  
2 CONDUCTORS PER PHASE

MECHANICAL TYPE LUGS INCLUDED  
SUITABLE FOR 600MCM-2 CU/AL  
CONDUCTORS  
1 CONDUCTOR PER PHASE

CUSTOMER NOTES:

- HV TERMINATED AT TOP FRONT
- LV TERMINATED AT BOTTOM FRONT

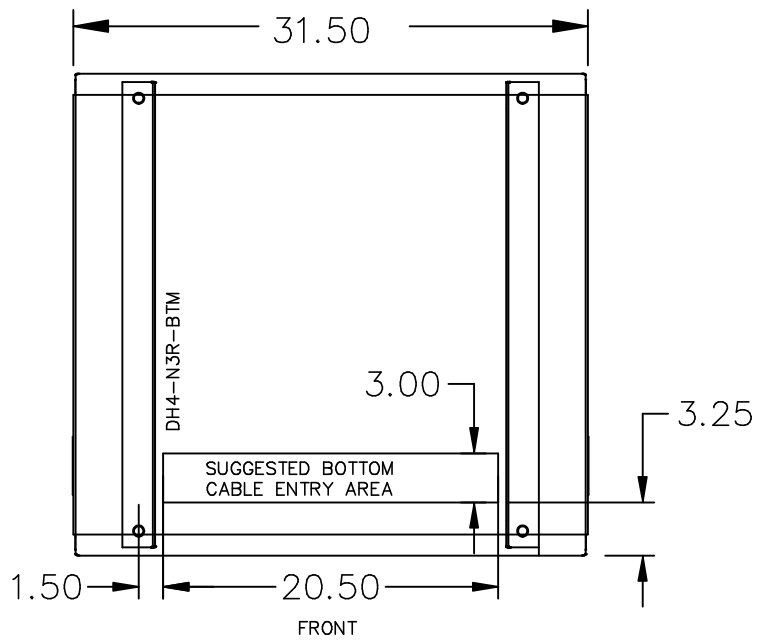
Siemens Industry, Inc.

REVISION	DATE	BY	DATE	BY
			17/05/23	RM

CUSTOMER	
ORDER NO.	DWG. NO.
	3F5Y225FCD16
	SH 2 OF 3

0.0\_jwen 2017/06/13 16:01

ENCLOSURE BOTTOM VIEW



NOTE:  
 WHEN BOTTOM CABLE ENTRY IS OPTED, THE SPACE USED FOR CONDUITS IN THE FRONT OF THE TRANSFORMER SHOULD NOT OBSTRUCT MORE THAN 50% OF THE FRONT AIR INTAKE AREA DEFINED BETWEEN THE BOTTOM PLATE AND THE SUPPORTING LEGS.  
 SEE MANUAL FOR ADDITIONAL INFORMATION

Siemens Industry, Inc.

REVISION	DATE	BY	DATE	BY	CUSTOMER
			17/05/23	RM	
			CHEK'D		ORDER NO.
			VERIF'D		DWG. NO. 3F5Y225FCD16
					SH 3 OF 3