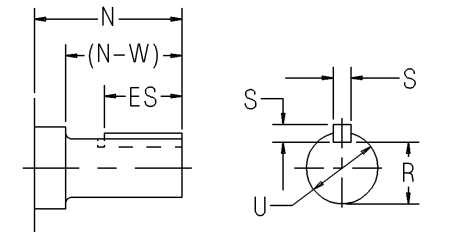
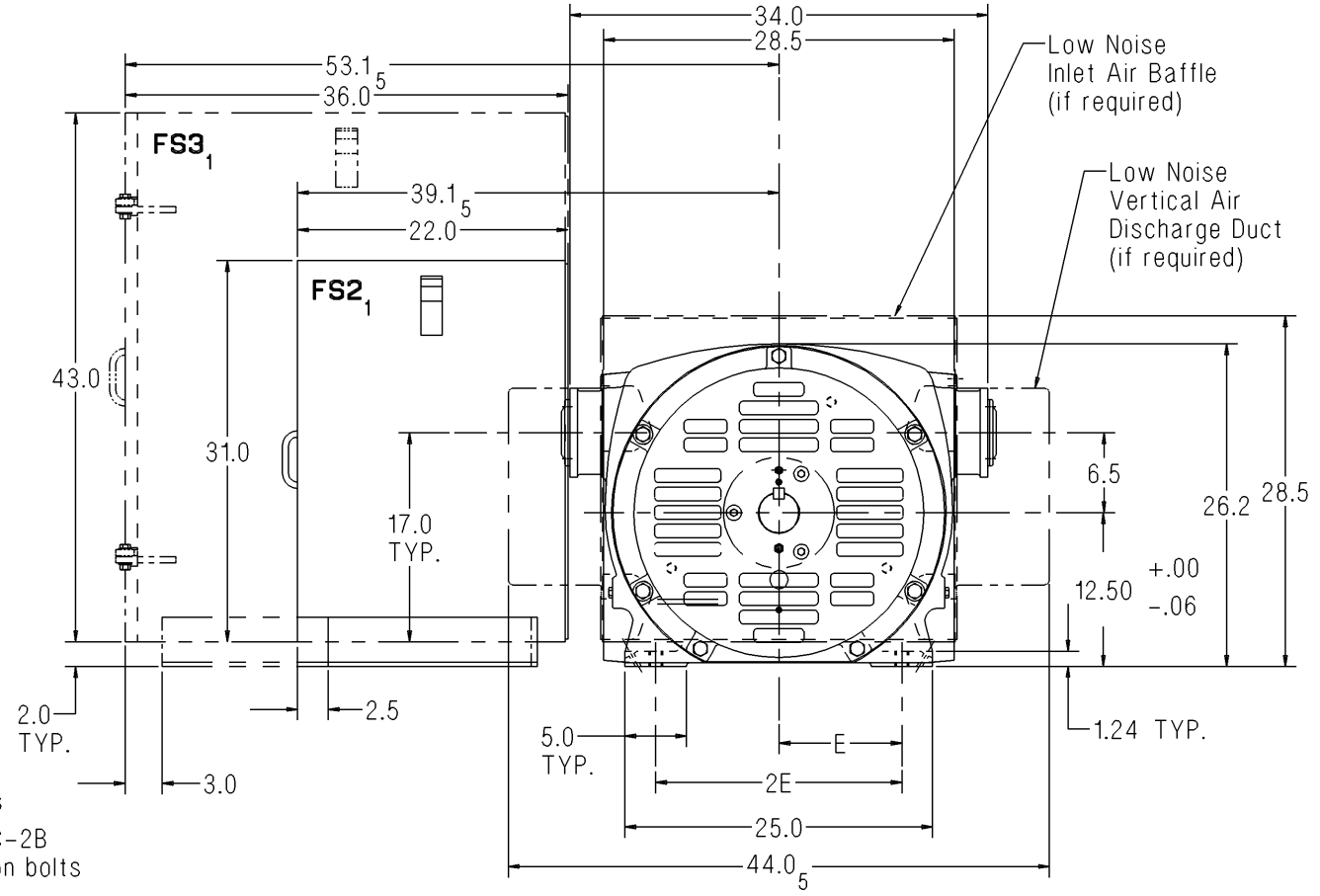
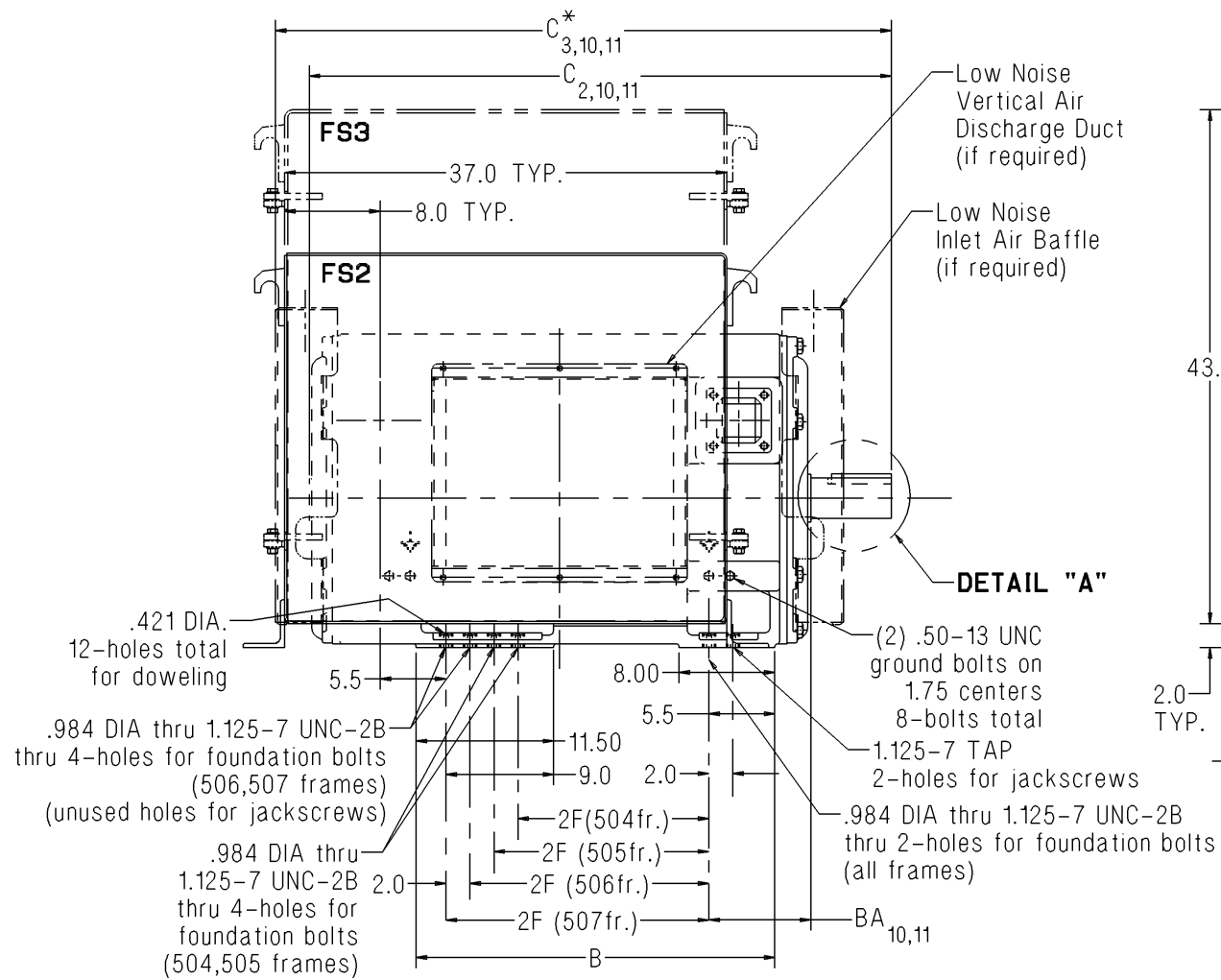
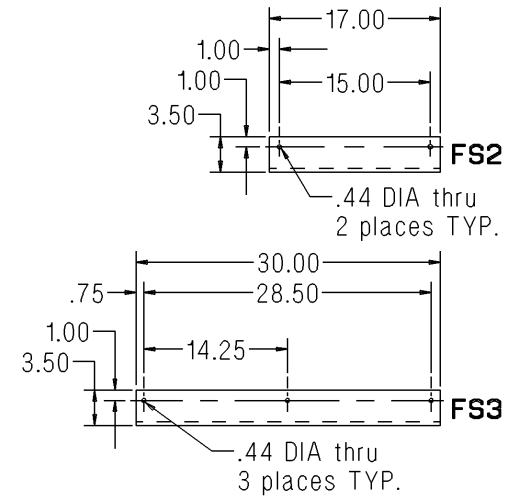


Dimension Prints for Above NEMA Motors



DETAIL "A"



BOX FEET DIMENSIONS

Standard Dimensions in Inches

| Shaft | Frame | Speed           | B    | BA <sub>10,11</sub> | C <sub>2,10,11</sub> | C* <sub>3,10,11</sub> | E     | 2F   | N    | (N-W) | R     | S     | U     | V <sub>4</sub> | ES  | Approx. Ship Wt. (Lbs) |
|-------|-------|-----------------|------|---------------------|----------------------|-----------------------|-------|------|------|-------|-------|-------|-------|----------------|-----|------------------------|
| Short | 504S  | 2 Pole          | 30.0 | 8.50                | 47.2                 | 50.1                  | 10.00 | 16.0 | 5.50 | 5.25  | 2.275 | 0.625 | 2.625 | 5.00           | 3.5 | 3700                   |
| Short | 504S  | 4 Pole & Slower | 30.0 | 8.50                | 48.7                 | 51.6                  | 10.00 | 16.0 | 7.00 | 6.75  | 2.880 | 0.875 | 3.375 | 6.50           | 5.0 | 4000                   |
| Short | 505S  | 2 Pole          | 30.0 | 8.50                | 47.2                 | 50.1                  | 10.00 | 18.0 | 5.50 | 5.25  | 2.275 | 0.625 | 2.625 | 5.00           | 3.5 | 3700                   |
| Short | 505S  | 4 Pole & Slower | 30.0 | 8.50                | 48.7                 | 51.6                  | 10.00 | 18.0 | 7.00 | 6.75  | 2.880 | 0.875 | 3.375 | 6.50           | 5.0 | 4000                   |
| Short | 506S  | 2 Pole          | 30.0 | 8.50                | 47.2                 | 50.1                  | 10.00 | 20.0 | 5.50 | 5.25  | 2.275 | 0.625 | 2.625 | 5.00           | 3.5 | 3700                   |
| Short | 506S  | 4 Pole & Slower | 30.0 | 8.50                | 48.7                 | 51.6                  | 10.00 | 20.0 | 7.00 | 6.75  | 2.880 | 0.875 | 3.375 | 6.50           | 5.0 | 4000                   |
| Short | 507S  | 2 Pole          | 30.0 | 8.50                | 47.2                 | 50.1                  | 10.00 | 22.0 | 5.50 | 5.25  | 2.275 | 0.625 | 2.625 | 5.00           | 3.5 | 3700                   |
| Short | 507S  | 4 Pole & Slower | 30.0 | 8.50                | 48.7                 | 51.6                  | 10.00 | 22.0 | 7.00 | 6.75  | 2.880 | 0.875 | 3.375 | 6.50           | 5.0 | 4000                   |
| Long  | 504   | 4 Pole & Slower | 30.0 | 8.50                | 51.4                 | 54.3                  | 10.00 | 16.0 | 9.75 | 9.50  | 3.436 | 1.000 | 4.000 | 9.25           | 8.0 | 4000                   |
| Long  | 505   | 4 Pole & Slower | 30.0 | 8.50                | 51.4                 | 54.3                  | 10.00 | 18.0 | 9.75 | 9.50  | 3.436 | 1.000 | 4.000 | 9.25           | 8.0 | 4000                   |
| Long  | 506   | 4 Pole & Slower | 30.0 | 8.50                | 51.4                 | 54.3                  | 10.00 | 20.0 | 9.75 | 9.50  | 3.436 | 1.000 | 4.000 | 9.25           | 8.0 | 4000                   |
| Long  | 507   | 4 Pole & Slower | 30.0 | 8.50                | 51.4                 | 54.3                  | 10.00 | 22.0 | 9.75 | 9.50  | 3.436 | 1.000 | 4.000 | 9.25           | 8.0 | 4000                   |

Notes:

- Main conduit box is free standing and must be supported from below by customer. A removable bottom plate is supplied on the FS2 and FS3 conduit boxes.
- C = Length of motor from drive end of shaft to end of non-drive end of motor.
- C\* = Length of motor from drive end of shaft to edge of low noise inlet air baffle.
- V = (N-W)-0.25" = length of shaft available for coupling.
- Adding a low noise vertical air discharge duct requires a 6.0" spacer for the FS2 and FS3 conduit boxes. All associated conduit box dimensions will change accordingly.
- 2 Pole machines may rotate in one direction only.
- Shims may be necessary under motor feet for direct connection.
- Short shaft is for direct connection. Long shaft may be either belt drive or direct connection depending upon the bearing installed in the motor.
- Adding a rotating labyrinth seal to the drive end does not change any dimensions.
- Adding a ground brush increases BA, C, and C\* by:  
 2 Pole: 0.50" 4 Pole & Slower: 0.50" Long Shaft 4 Pole & Slower: 0.50"
- Adding a ground brush with rotating labyrinth seal increases BA, C, and C\* by:  
 2 Pole: 0.50" 4 Pole & Slower: 0.50" Long Shaft 4 Pole & Slower: 0.50"

Certification: Customer \_\_\_\_\_ P.O. \_\_\_\_\_ S.O. \_\_\_\_\_ Item \_\_\_\_\_  
 HP \_\_\_\_\_ RPM \_\_\_\_\_ Frame \_\_\_\_\_ PH/HZ/Volts 3/\_\_\_\_\_/\_\_\_\_\_  
 By \_\_\_\_\_ Date \_\_\_\_\_ Terminal Box Size FS2  FS3   
 Comments \_\_\_\_\_  
 Not for construction, installation or application purposes unless certified.