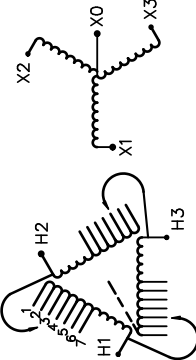


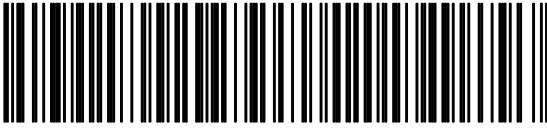
REVISION	DATE	BY	DATE	BY
		DRAWN	16/03/02	PP
		CHEK'D		
		VERIF'D		

Confidential - Property of  
Siemens Industry, Inc.

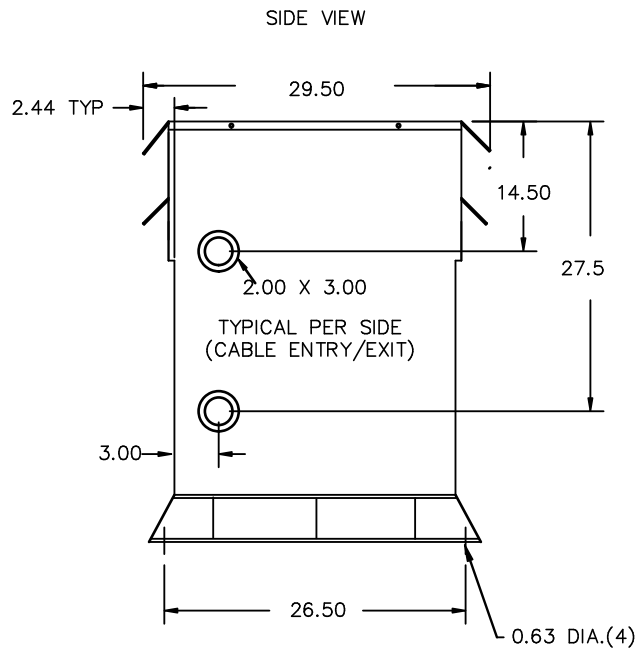
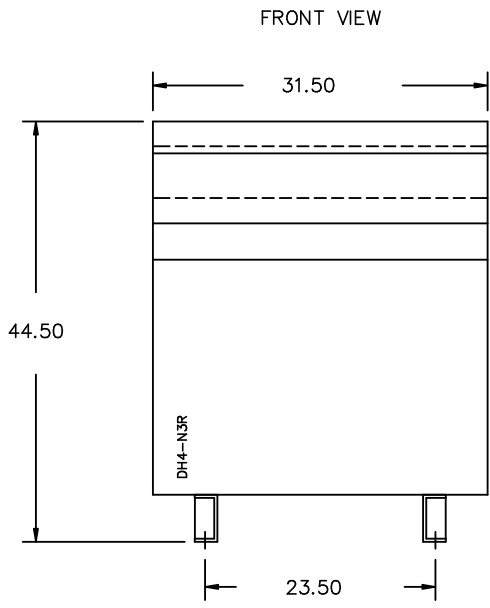
CUSTOMER	
ORDER NO.	DWG. NO.
	3F3Y112BESLN3D16 SH 1 OF 2

# SIEMENS

CATALOG NO. 3F3Y112BESLN3D16 SERIAL NO. SERIES H 112.5 kVA 60 Hz 3 PHASE 5.2 % IMP AT 100 °C		 <p>VOLTS CONNECT</p> <table border="0"> <tr><td>504</td><td>1</td></tr> <tr><td>492</td><td>2</td></tr> <tr><td>480</td><td>3</td></tr> <tr><td>468</td><td>4</td></tr> <tr><td>456</td><td>5</td></tr> <tr><td>444</td><td>6</td></tr> <tr><td>432</td><td>7</td></tr> </table>	504	1	492	2	480	3	468	4	456	5	444	6	432	7
504	1															
492	2															
480	3															
468	4															
456	5															
444	6															
432	7															
80 °C RISE	30 °C AVG. AMBIENT															
220 °C TEMP CLASS	40 °C MAX. AMBIENT															
PRIMARY ( H1 H2 H3 )	480V V 10 kV BIL															
SECONDARY( X0 X1 X2 X3 )	208Y/120V V 10 kV BIL															
WINDING MATERIAL	AL															
ENCLOSURE TYPE 3R	WEIGHT 930 LBS															
ENERGY EFFICIENCY C802.2-2012	DOE 10 CFR PART 431:2016															
SPACINGS BETWEEN ANY VENTILATED ENCLOSURE PANEL AND ANY ADJACENT WALL SHALL BE A MINIMUM OF 5 INCHES EXCEPT WHEN WALL MOUNTED USING APPROVED WALL MOUNTING KIT ELECTROSTATIC SHIELD SOUND LEVEL IS 3 DB LOWER THAN NEMA ST20 REQUIREMENTS																
SUITABLE FOR INDOOR OR OUTDOOR LOCATIONS BEFORE HANDLING, INSTALLING AND OPERATING; SEE INSTRUCTION MANUAL NEMA Class ANN Dry Type Transformer Siemens Industry, Inc. Norcross, GA dsu0086e																



3F3Y112BESLN3D16



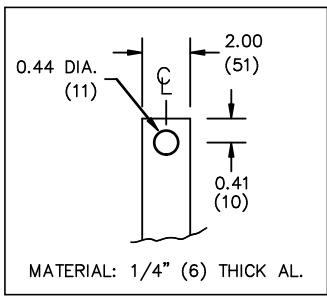
All Dimensions in inches

ENCLOSURE COLOR :ANSI 61 GREY – OUTDOOR

H.V.1. TERMINAL DETAIL

L.V.1. TERMINAL DETAIL

MECHANICAL TYPE LUGS INCLUDED  
SUITABLE FOR 250MCM-6 CU/AL  
CONDUCTORS  
1 CONDUCTOR PER PHASE



- CUSTOMER NOTES:
- HV1 TERMINATED AT TOP FRONT
  - LV1 TERMINATED AT BOTTOM FRONT

Confidential – Property of  
**Siemens Industry, Inc.**

REVISION	DATE	BY	DATE	BY
			16/03/02	PP

CUSTOMER	
ORDER NO.	DWG. NO.
	3F3Y112BESLN3D16 SH 2 OF 2