

SIEMENS

Sentron™ Busway Systems
Selection and Application Guide



Plug-In Units

Standard/Extended Gutter (No additional cost)



Sentron Busway plug-in units provide contractors with the lowest installed costs in the industry!

Sentron Busway plug-in units are designed with both standard wire bending space and extended wire bending space. There's no difference in price and that's a major advantage when it comes to installation cost!

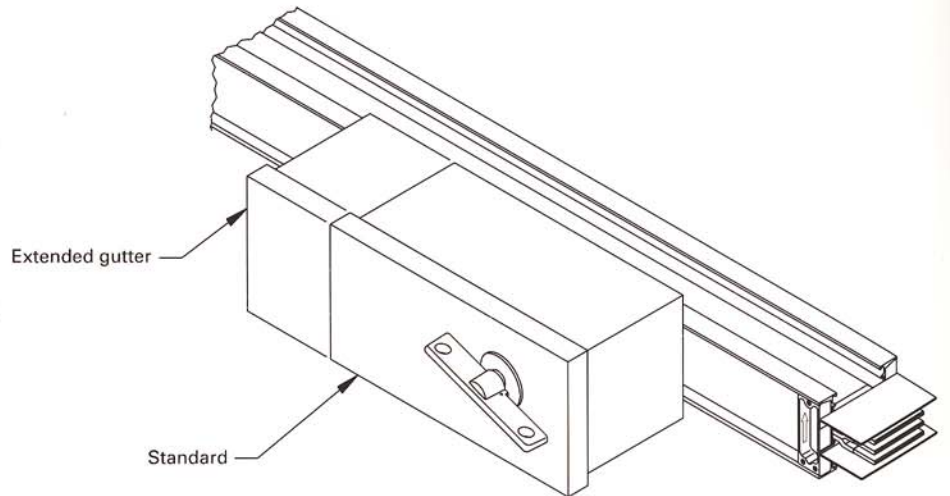
A built-in safety interlock system prevents the insertion or removal of a busway plug in the "On" position, and the "On-Off" indication is also provided with international symbols for easy recognition.

Sentron Busway plug-in units are available with Siemens Sentron molded case circuit breakers and Siemens type visible blade fusible switch with built-in fuse pullers. The front cover handle can be operated by either a hook stick or rope and comes with provisions for padlocking in the "Off" position.

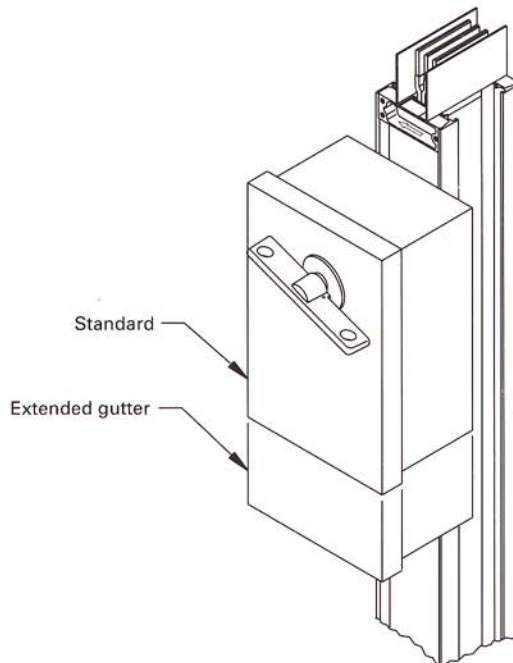
Sentron Busway offers the industry's first true line of IP rated plug-in units. The handles, in addition to the enclosures are water resistant and meet worldwide water resistance standards. Third party certification can be supplied upon request.

The handles on plug-in units are field adaptable to rotate on 90 degree increments to assure that handle actuation and plug indication read right side up all the time regardless of the busway orientation.

Plug-In Units Horizontal Mounting



Plug-In Units Vertical Mounting



See page 9 for height, width and depth of standard Sentron busway plugs.

Bus Plug Technical and Dimensional Information and Catalog Numbers

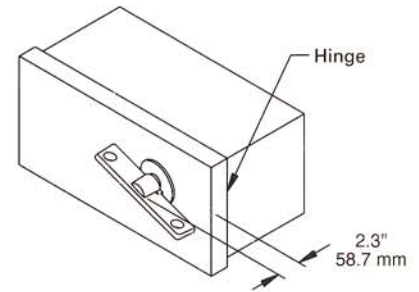
Installing plug-in units on plug-in busway is simple with the captive hardware provided. Everything the installer needs is attached to the busway plug-in unit.

Sentron plug-in units come with the following features:

- A voidable cover interlock that prevents opening the cover when the device inside is in the "On" position.
- A plastic molded (glass-reinforced) front cover handle assembly for ease

of use and clear visual indication of the position of the switching device.

- Color codes and international "On" and "Off", indication around the handle.
- Third party witnessed IP ratings on the plug-in units.
- Provisions for padlocking and hook stick operation.
- A safety provision that will prevent the insertion or removal of a plug-in unit when turned to the "On" position.
- Positive alignment that assures correct installation of the plug-in unit.



- 90 degree rotation of the front cover handle to assure the handle is always right side up, regardless of orientation of the busway.

Extended wire bending space dimensions are shown in the dark shaded areas of the tables below.

Fusible Bus Plugs – 250V

Ampere Rating	Catalog Number ①		HP Rating	
	3 Phase, 3 Wire	3 Phase, 4 Wire	1 Phase	3 Phase
30	SXID321	SXID421	3	7.5
60	SXID322	SXID422	10	15
100	SXID323	SXID423	15	30
200	SXID324	SXID424	30	60
400	SXID325	SXID425	50	125
600	SXID326	SXID426	75	200

Fusible Bus Plugs – 600V

Ampere Rating	Catalog Number ①		HP Rating	
	3 Phase, 3 Wire	3 Phase, 4 Wire	1 Phase	3 Phase
30	SXID361	SXID461	10	20
60	SXID362	SXID462	25	50
100	SXID363	SXID463	40	75
200	SXID364	SXID464	50	150
400	SXID365	SXID465	125	350
600	SXID366	SXID466	200	500

Circuit Breaker Bus Plugs – Enclosure Only

Ampere Rating	Breaker Frame Size	Catalog Number ①	
		3 Phase, 3 Wire	3 Phase, 4 Wire
15 – 125	ED2, ED4, ED6	SXEC3125	SXEC4125
70 – 250	FD6, FXD6	SXFC3250	SXFC4250
200 – 400	JXD2, JD6, JXD6	SXJC3400	SXJC4400
250 – 600	LD6, LXD6	SXLC3600	SXLC4600
500 – 800	MD6, MXD6	SXMC3800	SXMC4800
30 ②	ED6	SXECM3	SXECM4

① Standard length IP 40 (Indoor) rated enclosure with integral ground. For alternative ground, IP ratings or extended gutter, add suffix:

Suffix	Enclosure
G	Internal Ground
IG	Isolated Ground
3	IP 43 – Spray Proof
4	IP 54 – Splash Proof
E	Extended Gutter

Example: 100A, 600V, 3 Phase, 4 Wire Fusible Switch Plug – Isolated Ground, IP 43 (Spray Proof) enclosure w/extended gutter:
Catalog Number SXID463IG3E

② Maintenance Plug – breaker installed

Siemens Energy & Automation Sales Offices

Alabama

Birmingham
(205) 879-7030
Mobile
(334) 621-0822
Montgomery
(334) 271-4486

Alaska

Anchorage
(907) 346-2489

Arizona

Phoenix
(602) 944-7956

Arkansas

Little Rock
(501) 897-1385

California

Fresno
(209) 264-5018
Los Angeles
(714) 979-6600
Sacramento
(916) 631-9433
San Diego
(619) 569-8015
San Francisco
(510) 429-1200

Colorado

Colorado Springs
(719) 473-7880
Denver
(303) 694-3770
Ft. Collins
(303) 223-2712

Connecticut

Wallingford
(203) 265-5003

Florida

Ft. Lauderdale
(305) 484-3888
Fort Myers
(813) 656-3605
Jacksonville
(904) 363-0087
Miami
(305) 592-4106
Orlando
(407) 894-7771
Tampa
(813) 287-2450
West Palm Beach
(407) 627-7408

Georgia

Atlanta
(770) 458-4353
Macon
(912) 745-6393
Savannah
(912) 354-5092

Hawaii

Honolulu
(808) 533-7135

Idaho

Boise
(208) 342-6852

Illinois

Chicago
(847) 310-6500
Peoria
(309) 689-0823

Indiana

Evansville
(812) 422-9176
Fort Wayne
(219) 490-6999
Indianapolis
(317) 848-5500
South Bend
(219) 232-6050

Iowa

Des Moines
(515) 280-1614

Kansas

Wichita
(316) 942-1409

Kentucky

Louisville
(502) 426-4647

Louisiana

Baton Rouge
(504) 387-6987
New Orleans
(504) 837-8500
Shreveport
(318) 424-0720

Maine

Portland
(207) 854-0021

Maryland

Landover
(301) 459-2044

Massachusetts

Andover
(508) 685-6077
Worcester
(508) 792-4566

Michigan

Detroit
(810) 253-1000
Grand Rapids
(616) 530-9777

Minnesota

Minneapolis
(612) 942-8888

Mississippi

Jackson
(601) 936-9360

Missouri

Kansas City
(913) 491-3740
St. Louis
(314) 567-3900

Nebraska

Omaha
(402) 397-1940

Nevada

Las Vegas
(702) 734-1022

New Hampshire

Manchester
(603) 626-0702

New Jersey

Cranford
(908) 276-7227

New Mexico

Albuquerque
(505) 881-1611

New York

Albany
(518) 365-4569
Buffalo
(716) 834-3815
Long Island
(516) 484-7560
Syracuse
(315) 453-2935

North Carolina

Asheville
(704) 253-8299
Charlotte
(704) 536-1201
Greensboro
(910) 852-1758
Raleigh
(919) 782-3365
Wilmington
(910) 313-0034

North Dakota

Bismarck
(701) 258-9555
Fargo
(701) 293-7709

Ohio

Cincinnati
(513) 398-9288
Cleveland
(216) 642-0701
Columbus
(614) 766-2204
Dayton
(513) 279-0458
Toledo
(419) 893-7197
Wooster
(216) 262-3268

Oklahoma

Oklahoma City
(405) 235-7515
Tulsa
(918) 665-1806

Oregon

Portland
(503) 635-6700

Pennsylvania

Philadelphia
(215) 646-3800
Pittsburgh
(412) 788-8060
York
(717) 854-9776

Rhode Island

Providence
(401) 732-9966

South Carolina

Columbia
(803) 359-7715
Greenville
(803) 288-3490

Tennessee

Chattanooga
(423) 267-7412
Johnson City
(423) 434-9270
Knoxville
(615) 690-5172
Memphis
(901) 761-2123
Nashville
(615) 367-9403

Texas

Austin
(512) 416-0181
Dallas
(817) 652-9653
Fort Worth
(817) 838-9770
Houston
(713) 690-3000
San Antonio
(210) 525-7845

Utah

Salt Lake City
(801) 266-9612

Virginia

Richmond
(804) 288-8311
Roanoke
(703) 982-2776
Virginia Beach
(804) 486-0174

Washington

Seattle
(206) 828-6600
Spokane
(509) 468-3717
Tacoma
(206) 926-7663

Washington, D.C.

(301) 459-2044.

West Virginia

(304) 522-9732

Wisconsin

Green Bay
(414) 336-1144
Milwaukee
(414) 774-9500

Canada

Mississauga,
Ontario
(905) 819-8000
Pointe Claire,
Quebec
(514) 695-7300
Vancouver,
British Columbia
(604) 435-0880

International

Tel: (770) 751-2291
Fax: (770) 751-2496
TLX: 822024SEA
IBU UF

Siemens Energy & Automation, Inc.
Distribution Products Division
P.O. Box 1612
Spartanburg, SC 29304-1612
(864) 576-6510