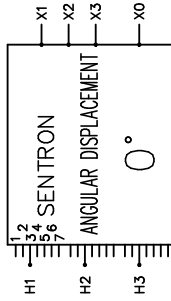


- IMPEDANCE SHOWN IS CALCULATED VALUE

SIEMENS

CATALOG NO. 3F3Y225FLN3HD100
 SERIAL NO. SERIES H
 225 kVA 60 Hz 3 PHASE
 5.6 % IMP AT 135 °C
 115 °C RISE 30 °C AVG. AMBIENT
 220 °C TEMP CLASS 40 °C MAX. AMBIENT
 PRIMARY (H1 H2 H3) 480 V 10 kV BIL
 SECONDARY (X1 X2 X3) 208Y/120 V 10 kV BIL
 NEUTRAL (X0(200%)) 625A V
 WINDING MATERIAL AL
 ENCLOSURE TYPE 3R WEIGHT 1900 LBS
 ENERGY EFFICIENCY EXCEEDS NEMA TPI-2002 DOE 10 CFR PART 431:2016
 SPACINGS BETWEEN ANY VENTILATED ENCLOSURE PANEL AND ANY ADJACENT WALL SHALL BE A MINIMUM OF 5 INCHES EXCEPT WHEN WALL MOUNTED USING APPROVED WALL MOUNTING KIT ELECTROSTATIC SHIELD
 SOUND LEVEL IS -3_ DB LOWER THAN NEMA ST20 REQUIRMENTS
 SUITABLE FOR INDOOR OR OUTDOOR LOCATIONS BEFORE HANDLING; INSTALLING AND OPERATING; SEE INSTRUCTION MANUAL
 NEMA Class AA Dry Type Harmonic Mitigating Transformer Siemens Industry, Inc. Norcross, GA 68u0703e



VOLTS	CONNECT
506	1
492	2
480	3
465	4
456	5
444	6
430	7

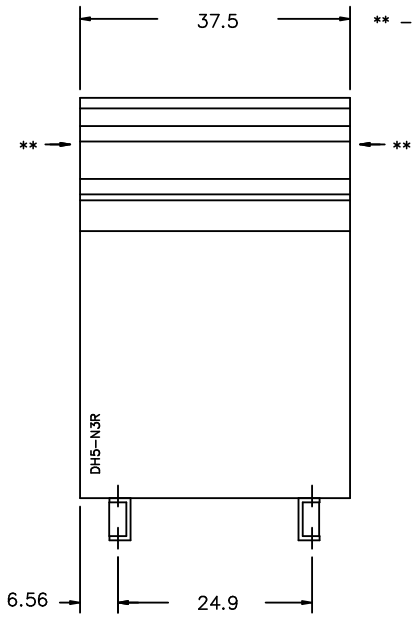
TYPE K
 DRY TYPE TRANSFORMER
 7715 E112313
 LISTED
 SEISMIC QUALIFICATIONS, FLOOR MOUNT ONLY
 OSP-0136-10 IBC 2012/ASCE 7-10
 SDS<=2.0g z/h=1 p=1.5



REVISION	DATE	BY	DATE	BY
		DRAWN	16/03/04	LC
		CHEK'D		
		VERIF'D		

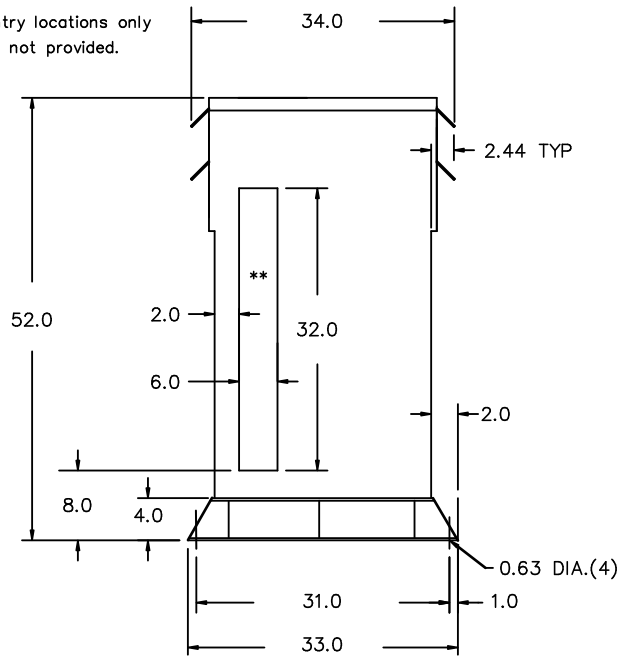
Confidential - Property of Siemens Industry, Inc.	
CUSTOMER	
ORDER NO.	DWG. NO.
	3F3Y225FLN3HD100 SH 1 OF 2

FRONT VIEW



** - Recommended cable entry locations only
cutouts & gland plates not provided.

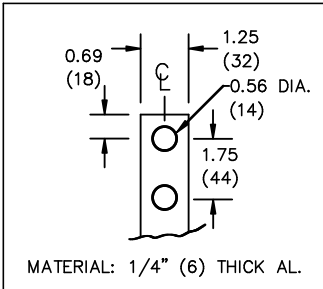
SIDE VIEW



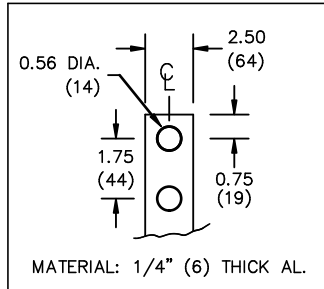
All Dimensions in inches

ENCLOSURE COLOR : ANSI 61 GREY - OUTDOOR

H.V.1. TERMINAL DETAIL



L.V.1. TERMINAL DETAIL



CUSTOMER NOTES:

- HV1 TERMINATED AT BOTTOM FRONT
- LV1 TERMINATED AT TOP FRONT
- 200% RATED NEUTRAL, TERMINATED AT TOP FRONT

Confidential - Property of
Siemens Industry, Inc.

REVISION	DATE	BY	DATE	BY
		DRAWN	16/03/04	LC
		CHEK'D		
		VERIF'D		

CUSTOMER	
ORDER NO.	DWG. NO.
	3F3Y225FLN3HD100 SH 2 OF 2