

REVISION	DATE	BY	DATE	BY
		DRAWN	15/11/17	JW
		CHEK'D		
		VERIF'D		

Confidential - Property of Siemens Industry, Inc.		
CUSTOMER	ORDER NO.	DWG. NO.
		3F3Y045FESCLN3D16
		SH 1 OF 2

SIEMENS

CATALOG NO. 3F3Y045FESCLN3D16
SERIAL NO. SERIES H
45 kVA **60** Hz **3** PHASE
2.0 % IMP AT **135** °C

115 °C RISE **30** °C AVG. AMBIENT
220 °C TEMP CLASS **40** °C MAX. AMBIENT

PRIMARY (H1 H2 H3) **480V** V **10** kV BIL
SECONDARY(X0 X1 X2 X3) **208Y/120V** V **10** kV BIL

WINDING MATERIAL **CU**
ENCLOSURE TYPE **3R** WEIGHT **615** LBS
ENERGY EFFICIENCY **EXCEEDS CSA** DOE 10 CFR PART 431:2016
C802.2-2012

SPACINGS BETWEEN ANY VENTILATED ENCLOSURE PANEL AND
ADJACENT WALL SHALL BE A MINIMUM OF 5 INCHES
EXCEPT WHEN WALL MOUNTED USING APPROVED WALL MOUNTING KIT
ELECTROSTATIC SHIELD
SOUND LEVEL 3dB BELOW NEMA ST20 REQUIREMENTS

SUITABLE FOR INDOOR OR OUTDOOR LOCATIONS
BEFORE HANDLING, INSTALLING AND OPERATING, SEE INSTRUCTION MANUAL
NEMA Class **ANN** Dry Type Transformer

VOLTS
504
492
480
468
456
444
432

CONNECT
1
2
3
4
5
6
7

LISTED
DRY TYPE TRANSFORMER
7705
E112313

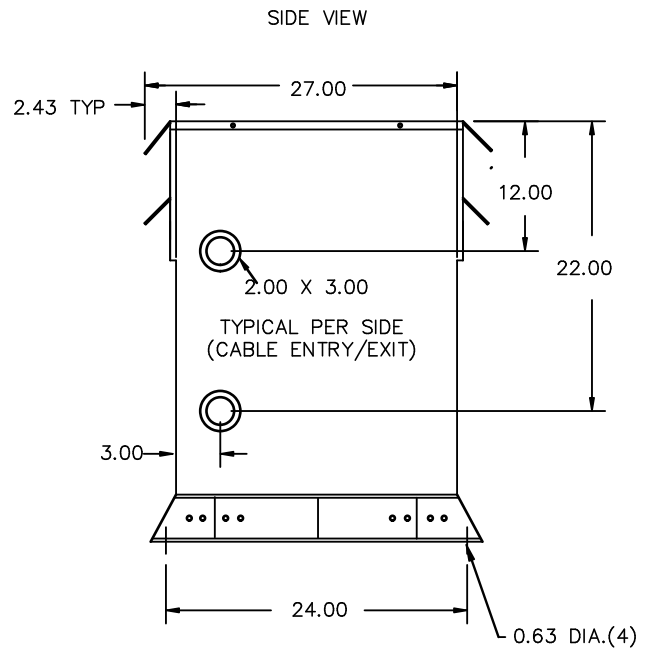
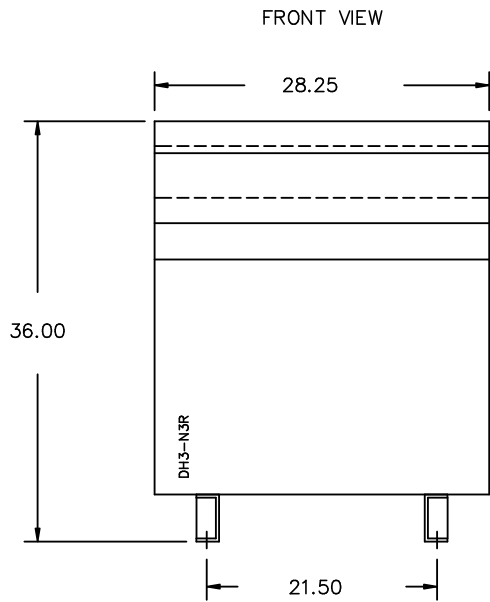
TYPE **K**
LR 3902

SEISMIC QUALIFICATIONS, FLOOR MOUNT ONLY
OSP-0136-10 IBC 2012/ASCE 7-10
SDS<=2.0g Z/h=1 Ip=1.5

Siemens Industry, Inc. Norcross, GA dsu0066e



3F3Y045FESCLN3D16



All Dimensions in inches

ENCLOSURE COLOR :ANSI 61 GREY – OUTDOOR

H.V.1. TERMINAL DETAIL

L.V.1. TERMINAL DETAIL

MECHANICAL TYPE LUGS INCLUDED
SUITABLE FOR #2/0-14 CU/AL
CONDUCTORS
1 CONDUCTOR PER PHASE

MECHANICAL TYPE LUGS INCLUDED
SUITABLE FOR 600MCM-2 CU/AL
CONDUCTORS
1 CONDUCTOR PER PHASE

CUSTOMER NOTES:

- HV1 TERMINATED AT TOP FRONT
- LV1 TERMINATED AT BOTTOM FRONT

Confidential – Property of
Siemens Industry, Inc.

REVISION	DATE	BY	DATE	BY
			15/11/17	JW
			CHEK'D	
			VERIF'D	

CUSTOMER	
ORDER NO.	DWG. NO. 3F3Y045FESCLN3D16 SH 2 OF 2