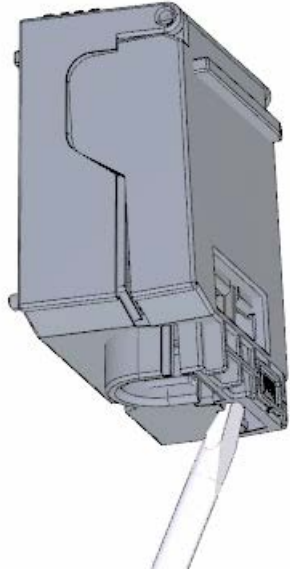


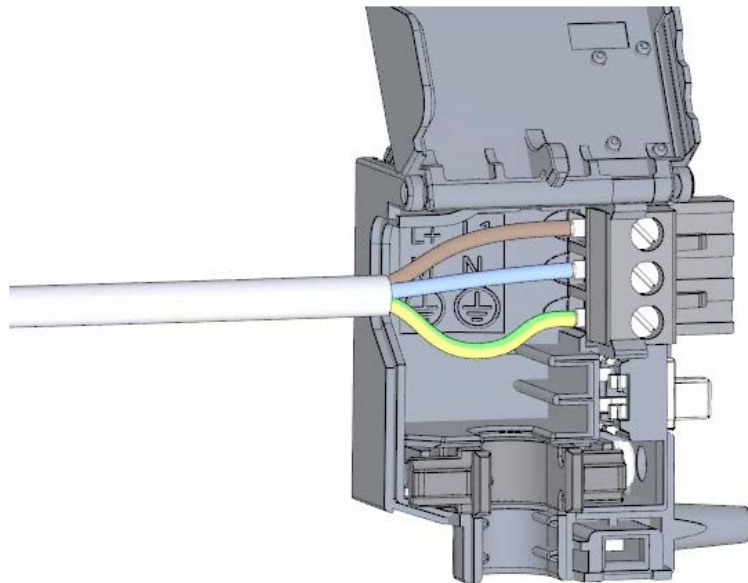
Wiring the mains connection plug

Procedure

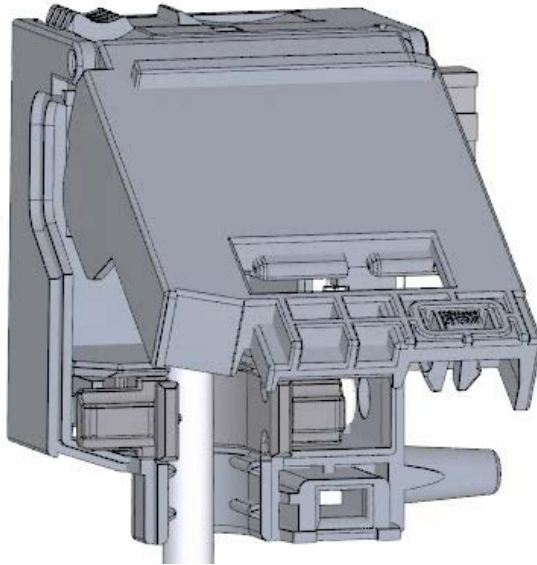
1. Pry off the connector cover using a suitable tool.



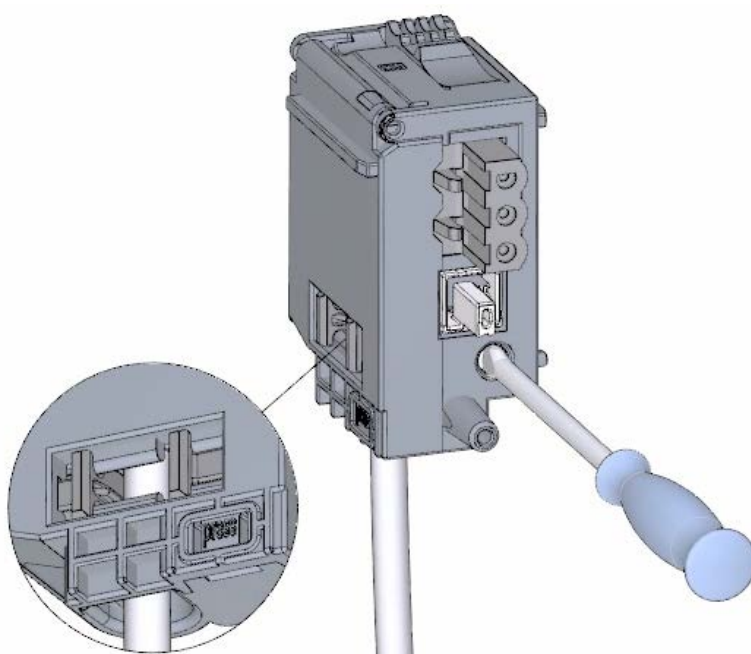
2. Connect the mains cable in the plug according to the connection diagram. You will find information on which voltage the plug is approved for on the side of the plug. You select the voltage by inserting the coding element accordingly on the back of the plug.



3. Close the cover.



4. Tighten the screw on the front of the mains connection plug.



Result

The mains connection plug is now wired.