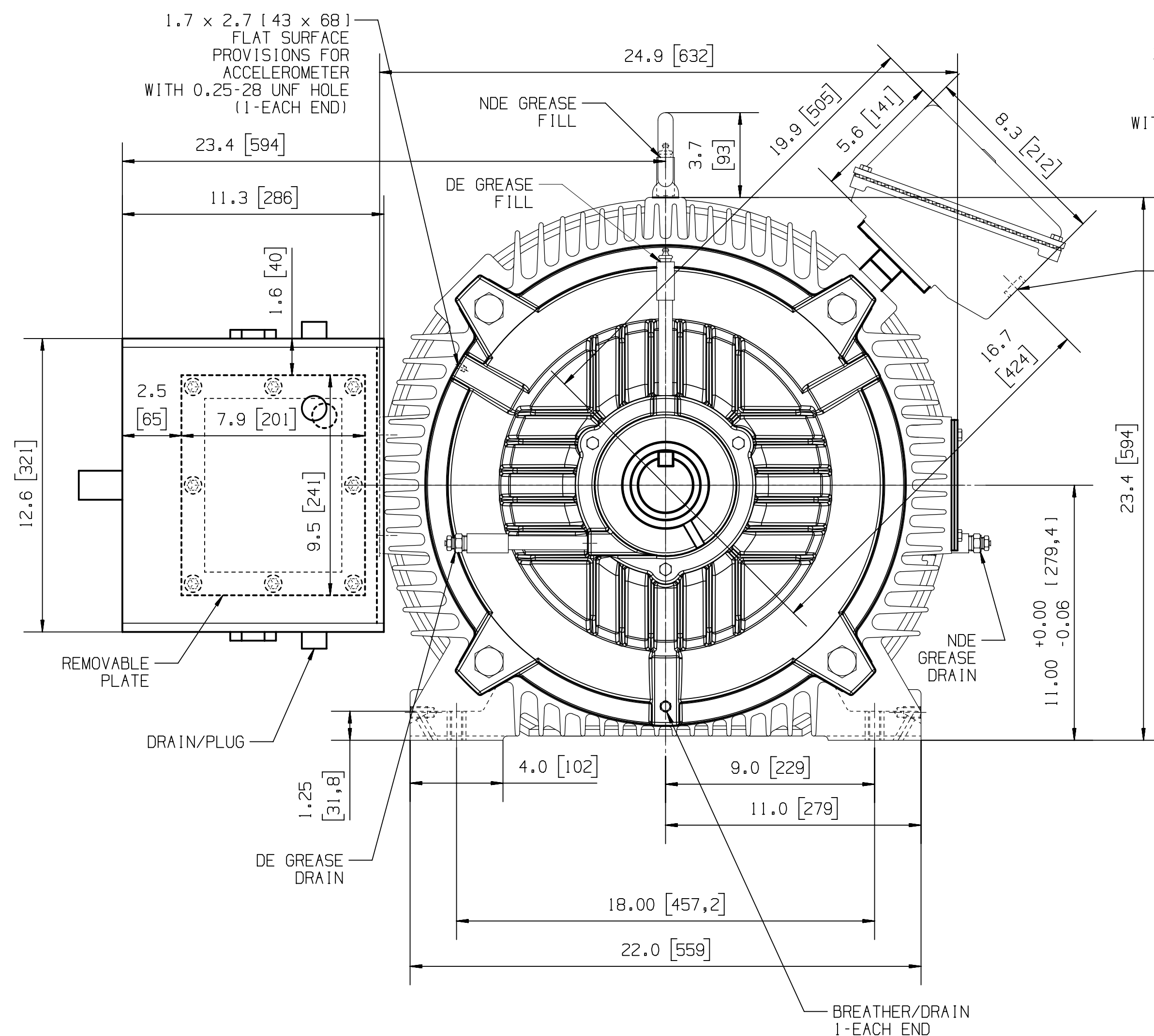
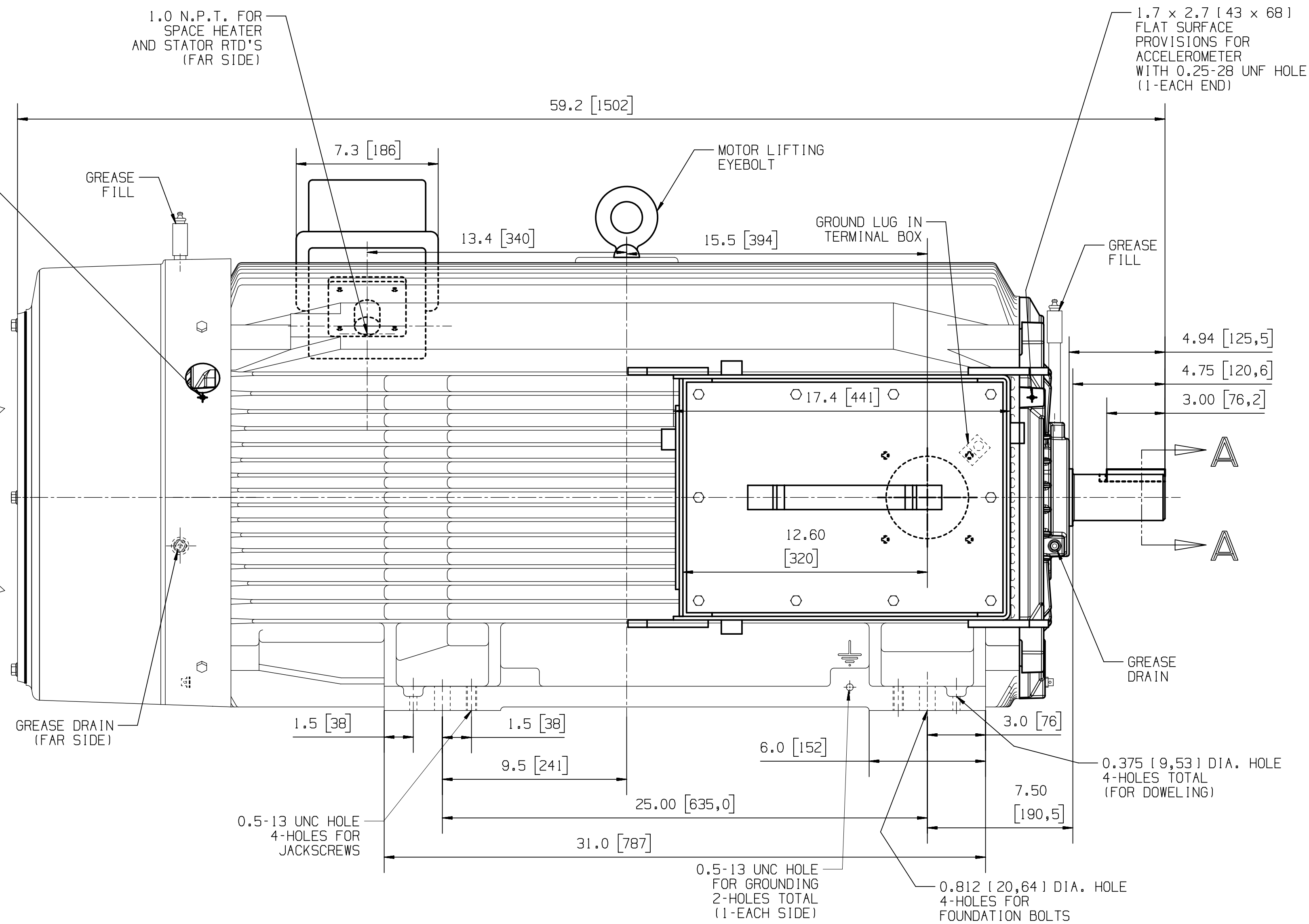


NOTES:

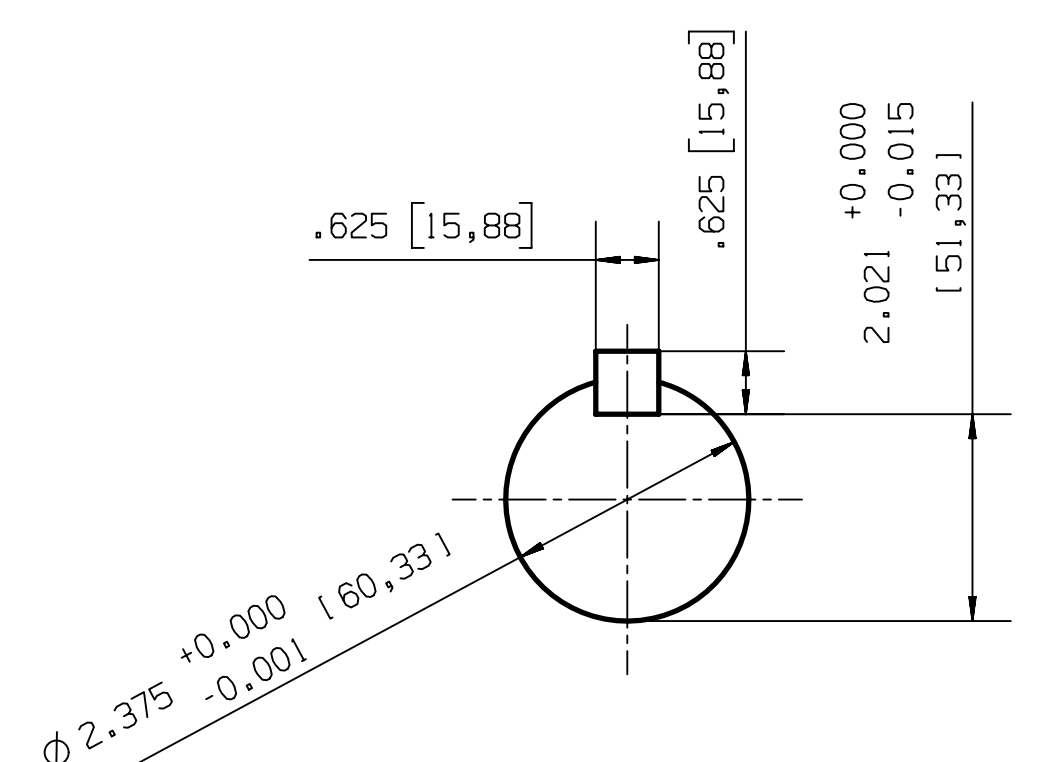
1. MAIN CONDUIT BOX MAY BE ROTATED IN STEPS OF 90°.
2. NON-DRIVE END BEARING IS INSULATED, INSULATE ANY CONNECTIONS TO THIS BEARING.
3. FOR RELUBRICATION OF BEARINGS, SEE LUBRICATION GUIDE ON MOTOR.
4. FOR SAFETY PROCEDURES AND ALIGNMENT REQUIREMENTS, SEE INSTRUCTION MANUAL.
5. SEE ROTATION PLATE ON MOTOR FOR DIRECTION OF ROTATION. DIRECTION OF ROTATION IS VIEWED FROM THE DRIVE END.



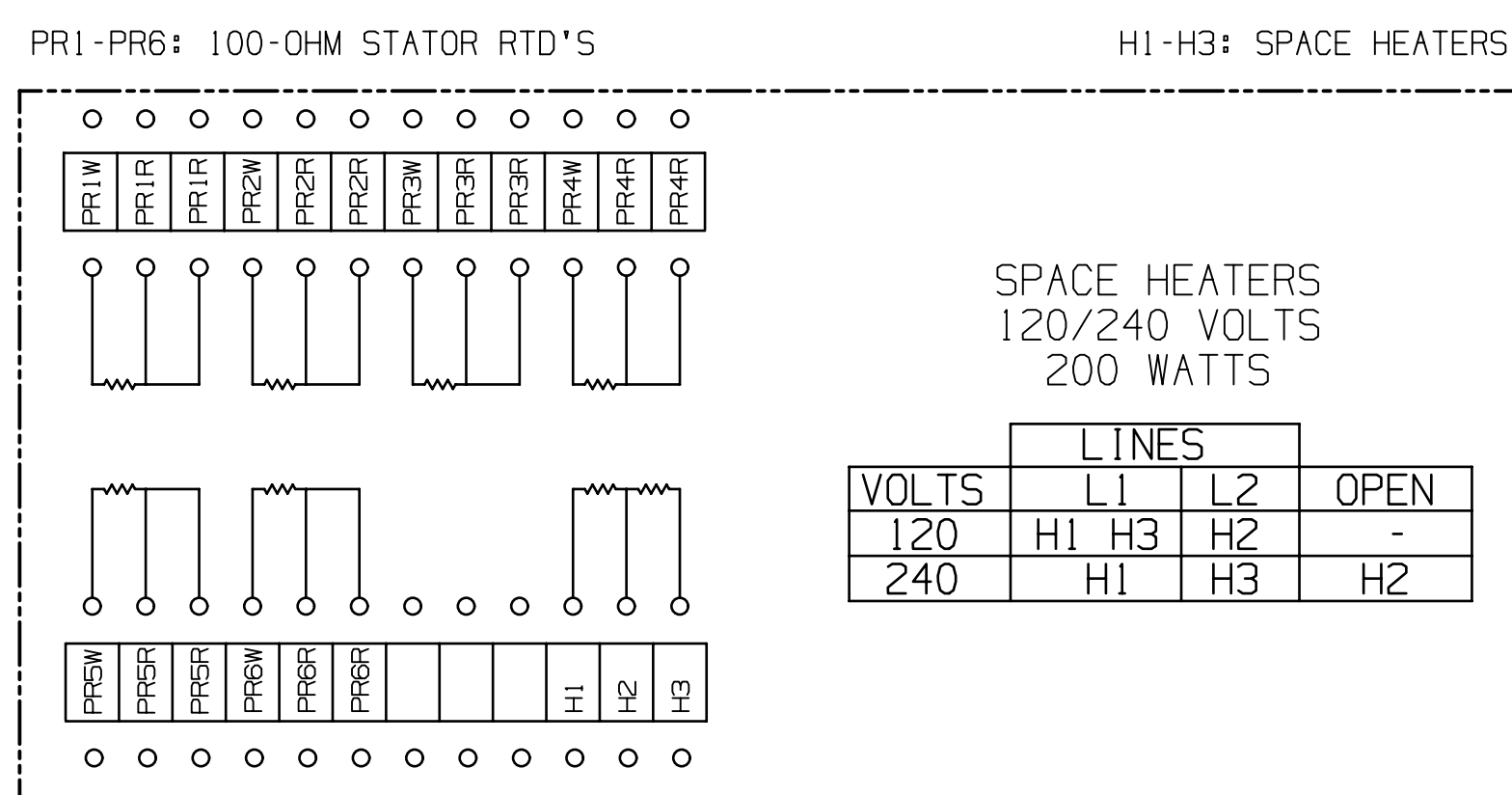
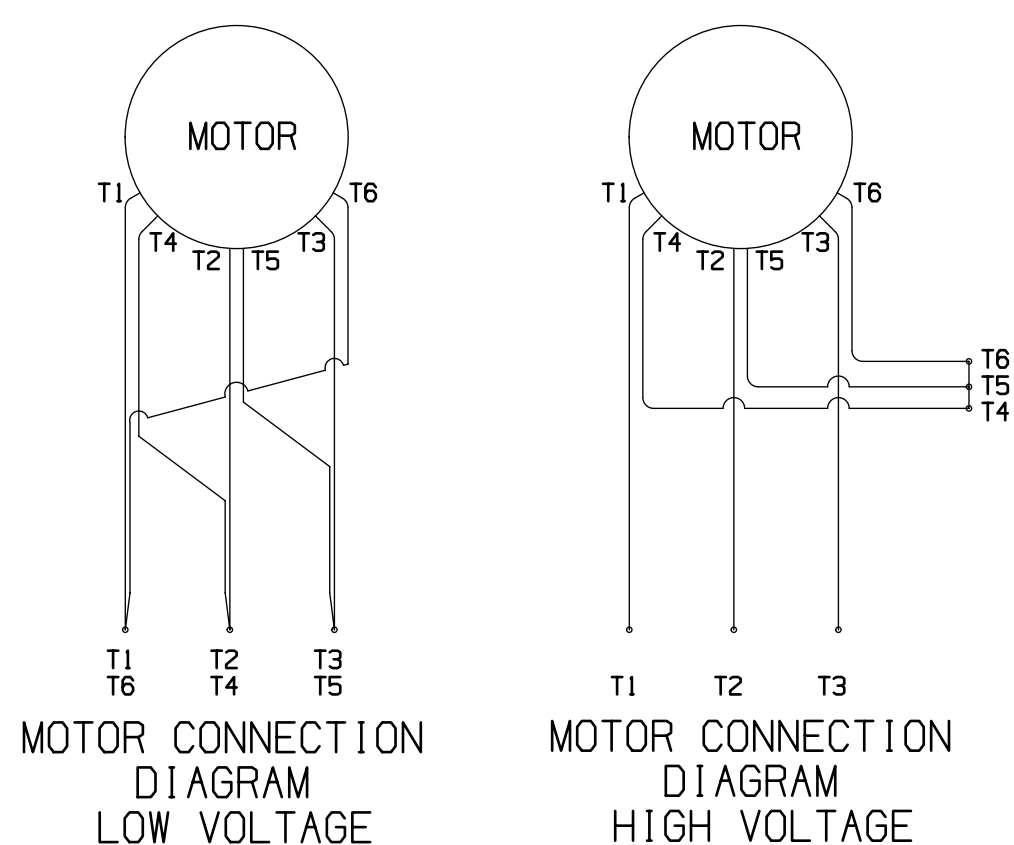
AIR INLET



RTD ALARM/SHUTDOWN DATA		
	ALARM	SHUTDOWN
STATOR	155°C	170°C



SECTION A-A



TERMINAL BOARD ARRANGEMENT IN AUXILIARY BOX FOR SPACE HEATERS AND 100-OHM STATOR RTD'S

(AB) ADDED NOTE #5

SIEMENS CERTIFIED PRINT

CUSTOMER INITIATED CHANGES MAY AFFECT PRICE AND DELIVERY PRODUCTION WILL PROCEED ON THE BASIS OF THIS DRAWING

FRAME	TYPE	VOLTS	PH	Hz
S449TS	TEFC	2300/4000	3	60

Author	KANE	Product	MLTBProduct-ID
Creator	2018-06-01 Fortenbacher	Item No.	
Approval	2018-06-04 PEREZ CEDENO	Doc No.	
Department	PD LD AP MG R&D ANEMA 2	Doc Language	en
Change Order	PSA00279944	Doc Language	de
Doc State	Released	Revision	002
Revision	Kauffman	Revision State	AB

SIEMENS

2017 - 2018

Project No.

Outline\_1LA3\_H\_S449TS\_4+\_AF\_F1

Sheet 1 of 1