

Features and Ratings

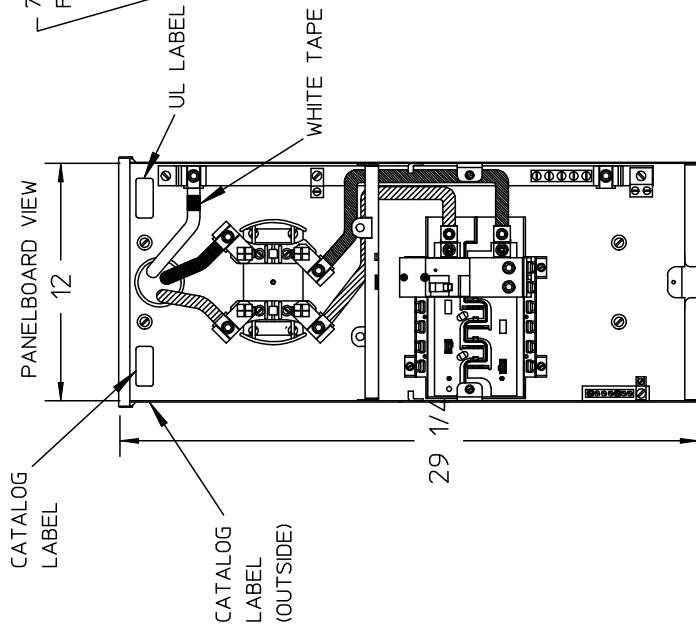
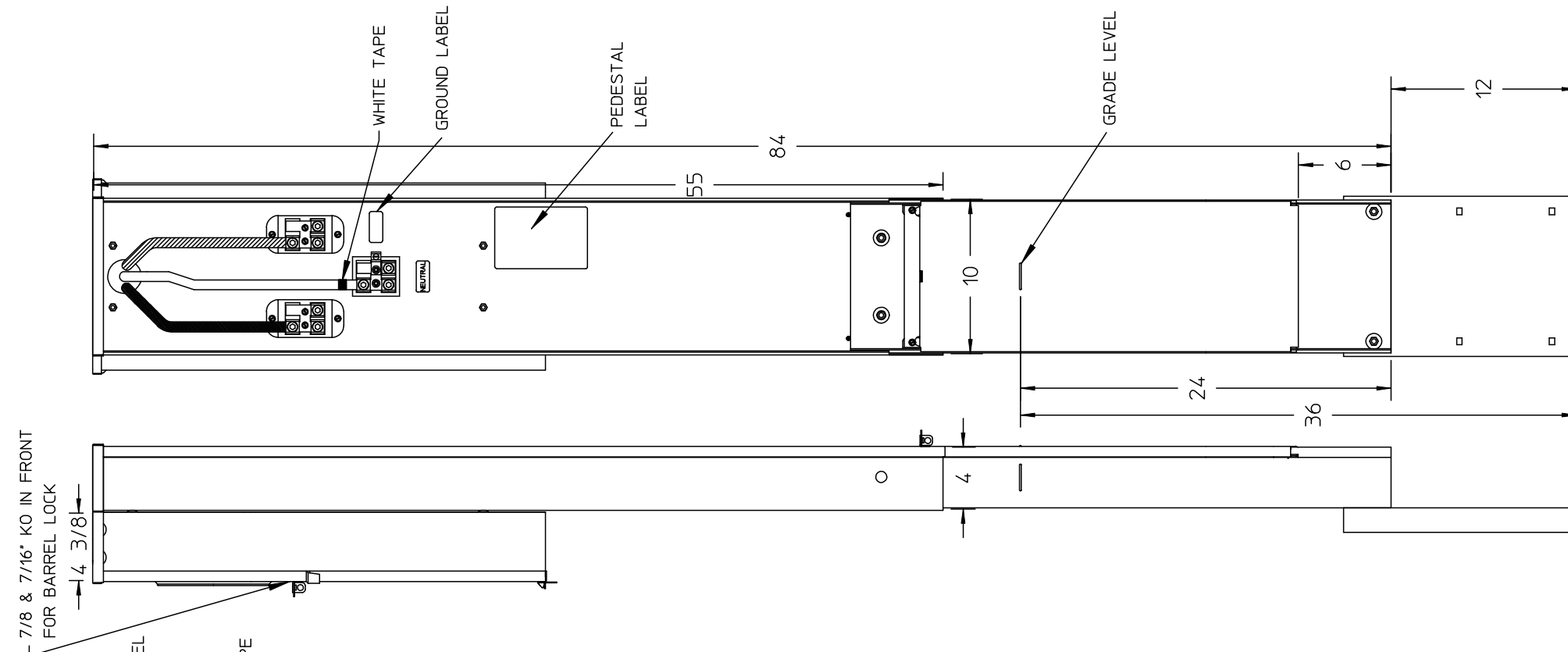
- Unit Rating: 200A Max., 120/240VAC
- Meter Socket Rating: 200A Continuous
- Ringless Type Meter Socket
- Outdoor Enclosure (NEMA Type 3R)
- Painted G90 Steel
- 1 Phase, 3 Wire
- 4 Jaw Meter Socket
- For Underground Service Only

Accessories

- Pad Mount Kit:
Cat No: MPFLANGE
- Pedestal Extension:
Cat No: MPEXT
- Filler Plate:
Cat No: ECQF3

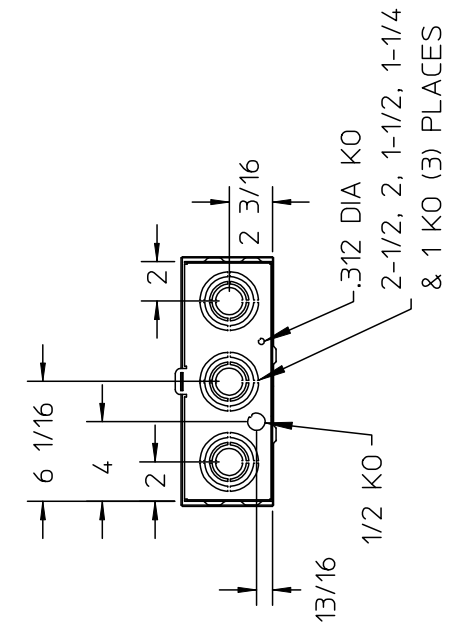
Connectors, Wire Sizes and Torques

CONNECTOR	WIRE SIZE	TORQUE
A, B, N	#6 - #1 AWG	75 LB. IN.
	1/0 - 350 KCMIL	275 LB. IN.
LARGE LOAD NEUTRAL N1	#6 - 250 KCMIL	275 LB. IN.
SMALL LOAD NEUTRAL N2	#14 - 1/0 AWG	50 LB. IN.
GROUND G1	#14 - 1/0 AWG	50 LB. IN.
EQUIP GROUND G2	#14 - 4 AWG	50 LB. IN.
EQUIP GROUND G3	#14 - 2 AWG	50 LB. IN.
GROUND G4	#14 - 2/0 AWG	50 LB. IN.
BRANCH BREAKER	SEE MARKINGS ON BREAKER	

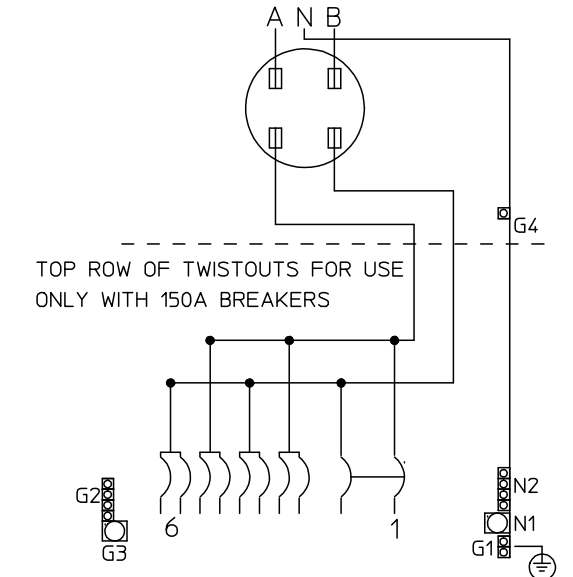


NOTES:

1. PEDESTAL IS FABRICATED FROM 14 GAUGE GALVANIZED STEEL
2. PANELBOARD ENCLOSURE IS FABRICATED FROM 16 GAUGE GALVANIZED STEEL
3. BREAKER COMPARTMENT COVER IS HINGED AT TOP AND LOCKS INTO OPEN POSITION
4. 120/240 VAC, 200 AMP, 1 PHASE, 3 WIRE. 150A BRANCH BREAKER INSTALLED
5. LOAD TERMINALS ARE RATED FOR 60° C OR 75° C CONDUCTOR
6. SIEMENS ACCEPTABLE BREAKER TYPES: 15-100A "QP" (2) 2-POLE OR UP TO (4) 1-POLE



BOTTOM VIEW



© 2015 Copyright Siemens Industry, Inc.



MOBILE HOME PEDESTAL

Description:

1 SKT/BKR/PED 200A 1P

CH 7/11/15

DO NOT SCALE DRAWING

Dwg No:

MP0406B1150R