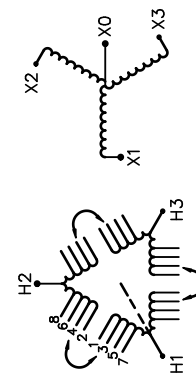



REVISION	DATE	BY	DATE	BY
			16/03/22	RB

Confidential - Property of Siemens Industry, Inc.	
CUSTOMER	
ORDER NO.	DWG. NO.
	3F3Y750FCD16
	SH 1 OF 2

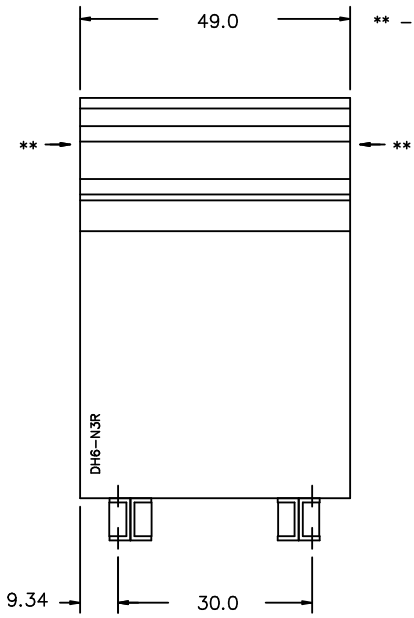
SIEMENS

<p>CATALOG NO. 3F3Y750FCD16</p> <p>SERIAL NO. SERIES H</p> <p>750 kVA 60 Hz 3 PHASE</p> <p>5.7 % IMP AT 135 °C</p> <p>115 °C RISE °C AVG. AMBIENT</p> <p>220 °C TEMP CLASS °C MAX. AMBIENT</p> <p>PRIMARY (H1 H2 H3) 480V V 10 kV BIL</p> <p>SECONDARY(X0 X1 X2 X3) 208Y/120V V 10 kV BIL</p> <p>WINDING MATERIAL CU</p> <p>ENCLOSURE TYPE 3R WEIGHT 4200LBS</p> <p>ENERGY EFFICIENCY EXCEEDS CSA DOE 10 CFR PART 431:2016 C802.2-2012</p> <p>SPACINGS BETWEEN ANY VENTILATED ENCLOSURE PANEL AND ANY ADJACENT WALL SHALL BE A MINIMUM OF 12 INCHES</p> <p>SEISMIC QUALIFICATIONS, OSP-0136-10</p> <p>SDS<=2.0G Z/H=1 IP=1.5</p>	<p>SEISMIC QUALIFICATIONS, FLOOR MOUNT ONLY</p> <p>OSP-0136-10 IBC 2012/ASCE 7-10</p> <p>SDS<=2.0G Z/h=1 Ip=1.5</p>	 <p>VOLTS CONNECT</p> <p>504 1-2</p> <p>492 2-3</p> <p>480 3-4</p> <p>468 4-5</p> <p>456 5-6</p> <p>444 6-7</p> <p>432 7-8</p>
		<p>TYPE K</p>  <p>LISTED</p> <p>DRY TYPE TRANSFORMER E112313 LR 3902</p>
		<p>SEISMIC QUALIFICATIONS, FLOOR MOUNT ONLY</p> <p>OSP-0136-10 IBC 2012/ASCE 7-10</p> <p>SDS<=2.0G Z/h=1 Ip=1.5</p>
		<p>NEMA Class ANN Dry Type Transformer</p> <p>Siemens Industry, Inc. Norcross, GA 30092</p>



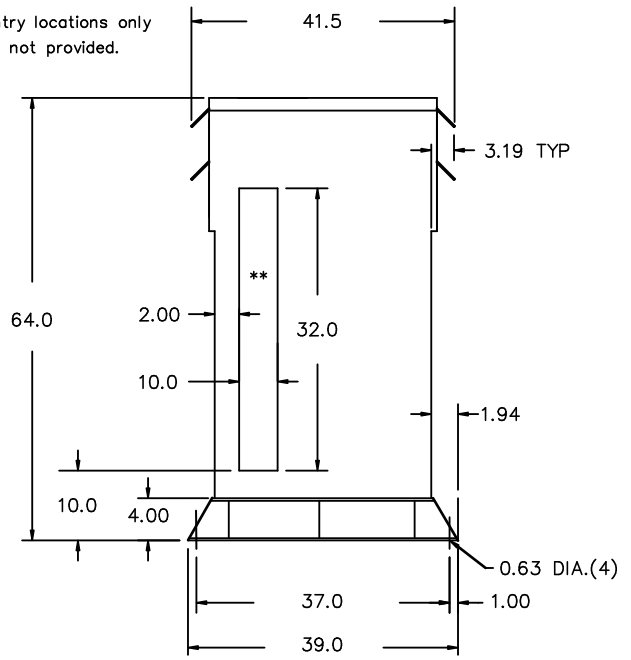
3F3Y750FCD16

FRONT VIEW



** - Recommended cable entry locations only
cutouts & gland plates not provided.

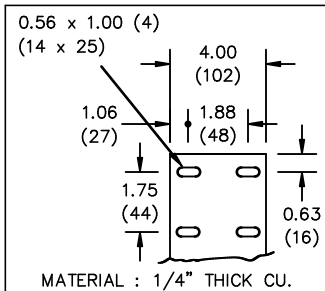
SIDE VIEW



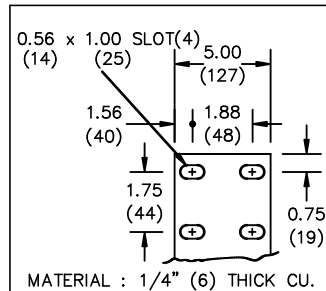
All Dimensions in inches

ENCLOSURE COLOR : ANSI 61 GREY - OUTDOOR

H.V.1. TERMINAL DETAIL



L.V.1. TERMINAL DETAIL



CUSTOMER NOTES:

- HV1 TERMINATED AT TOP FRONT
- LV1 TERMINATED AT BOTTOM FRONT

Confidential - Property of
Siemens Industry, Inc.

REVISION	DATE	BY	DATE	BY
		DRAWN	16/03/22	RB
		CHEK'D		
		VERIF'D		

CUSTOMER	
ORDER NO.	DWG. NO. 3F3Y750FCD16
SH 2 OF 2	

0.5 rbhata 2016/03/23 09:00