

10. Reference fig. 9 - Installing the provision barrier (item 22). In the case of a provision, orient the barriers as shown in fig 9. Insert the 1/4-20 socket-head cap-screw through the 0.228 hole in the barrier and through the 0.228 hole in the B-phase link and tighten. Repeat this step if there is another provision.

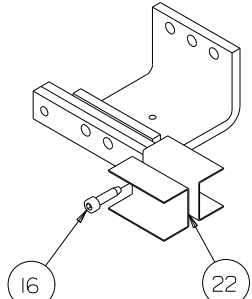


Figure 9

NOTE: If a Branch Neutral Lug Assembly is NOT Required, skip to Step 13.

NOTE: For switchboard applications, skip to Step 12.

11. Reference fig. 10 - Installing the Branch Neutral Lug assy. (item 23) in a Panelboard. The Branch Neutral is located at the bottom of the "Z-rails", or mirrored at the top depending upon the feed cable location. Two (2) different Neutral lug assemblies are included in the kit, be sure to install the type pictured below. The Neutral lug assemblies can be mounted, as shown, on either side of the Branch Neutral depending on cable feed location. Torque all hardware as specified on the rear of the deadfront.

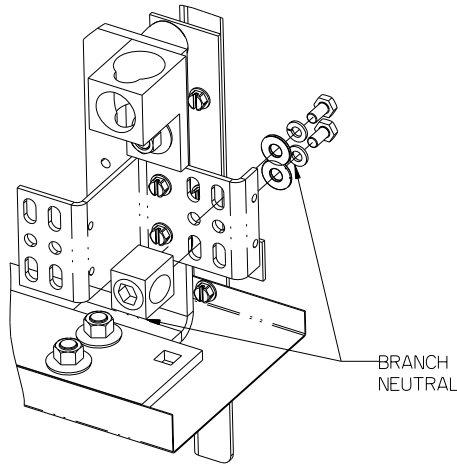


Figure 10
PANELBOARD ONLY

12. Reference fig.11 - Installing the Branch neutral lug (item 23) in a Switchboard. The branch Neutral is located at the bottom of the "Z-rails", or mirrored at the top depending upon the feed cable location. Two (2) different Neutral lug assemblies are included in the kit, be sure to install the type pictured below. The Neutral lug assemblies can be mounted, as shown, on any available hole of the Branch neutral depending on the cable feed location. Torque all hardware as specified on the rear of the deadfront.

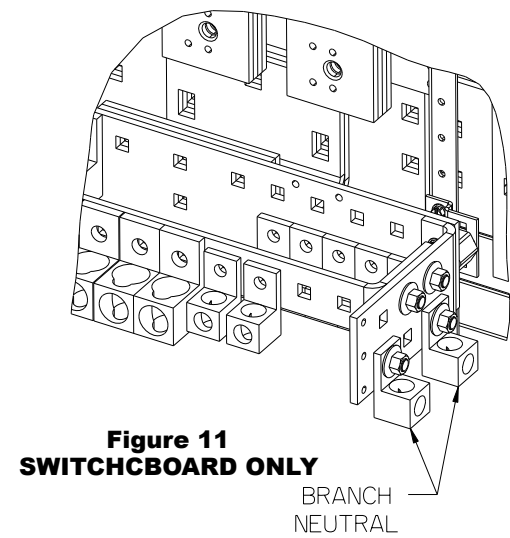


Figure 11
SWITCHBOARD ONLY

13. Re-install the deadfront using one of the breaker cover plates supplied with this kit. Other filler plates may be required for proper fit. See filler plate kits listed on the rear of the deadfront.

Switchboard (SB1, SB2, SB3)/ Power Panel Kit (P4, P5) SFG, SFGD for Branch Mounting Type VL FG Frame Breakers

Installation Instructions

This device/system may only be set up and used in conjunction with these instructions. Installation, maintenance and operation of this device/system may only be performed by **qualified personnel**. Within the context of these instructions, qualified persons are defined as persons who have the skills and knowledge related to the construction and operation of the electrical equipment and installations and have received safety training to recognize and avoid the hazards involved.

-4-

11-B-1024-01 REV. 1

Installation Instructions

The following instructions are for the installation of Siemens VL FG Frame electronic trip breakers in switchboard (SB1, SB2, SB3) or shallow/deep panelboards (P4, P5). This kit will require 5" of unit space. The parts provided in this kit are for connections to a 3-phase / 3-wire or 3-phase / 4-wire system.



⚠ DANGER
Hazardous voltage.
Will cause death or serious injury.
Keep out.
Qualified personnel only.
Disconnect and lock off all power before working on this equipment.

1. Lock off power supplying this equipment before working on it.
2. Reference fig. 1 - Remove the (2) gutter covers and all cover plates.

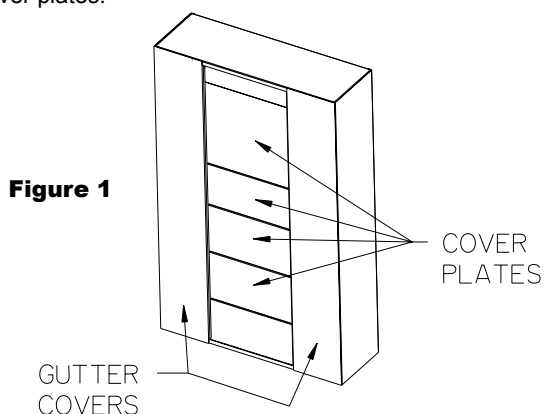


Figure 1

3. Reference fig. 2 - To mount a VL FG Frame breaker, 5" of empty unit space is required. To locate the mounting position, measure from the top deadfront support to the top of the empty unit space filler on the deadfront. Transfer this dimension from the deadfront support along the Z-rail and mark. This will be the unit space as shown on Fig. 4. After marking the Z-rail, remove the deadfront.

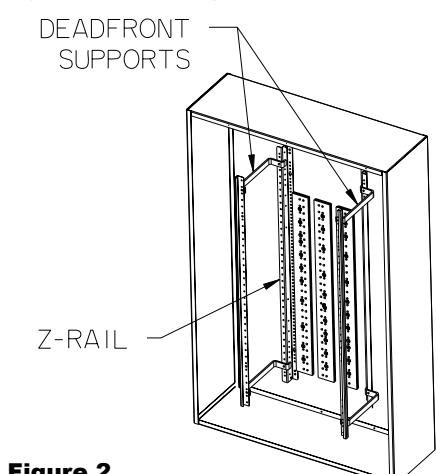


Figure 2

4. Open the shipping box and check the contents against the following list.

ITEM	DESCRIPTION	QTY.
1	INSTRUCTION MANUAL	1
2	A/C BOTTOM STRAP	2
3	A/C TOP STRAP	2
4	B PHASE STRAP	1
5	A/C BOTTOM LINK	2
6	A/C TOP LINK	2
7	B BOTTOM LINK	1
8	B TOP LINK	1
9	BARRIER	1
10	CHRISTMAS TREE RIVET	1
11	BREAKER MOUNTING BRACKET	2
12	STRAP-SECTION BUS HARDWARE KIT	1
13	1/4-20 X 1-1/4" SCREW	6
14	1/4-20 X 1/2" SCREW	4
15	1/4-20 SOCKET HEAD CAP SCREW	6
16	1/4 WASHER	1
17	CARD HOLDER	1
18	CIRCUIT ID CARD	2
19	8-32 X 3 1/4" SCREW	1
20	5" COVER PLATE	1
21	1/4-20 X 3/8" SCREW	4
22	PROVISION BARRIER	4
23	NEUTRAL LUG ASSY.	2

5. Reference fig. 3 and fig. 4 - The first items to be installed are the B-phase strap and B-phase links (items 4, 7, 8). Note that the 0.281 holes on the B-phase links (item 7 and 8) are offset and are not symmetrical as in A and C-phase links (items 5 and 6). Locate two 0.228" diameter holes on the B-phase of the section bus, 3.75" down from the top of 5.0" unit space selected. Insert two 1/4-20 thread-forming screws (see the mounting hardware kit, item 12, for proper length) through the two holes in the B-phase strap (item 4) and then into the 0.228" diameter holes on the B phase bus and tighten. Orient the B-phase links as shown in fig. 3 with the 0.281 holes located away from the bend on the B-phase strap (item 4). To install the B-phase links, insert two 1/4-20X1-1/4" screw (item 13) through two 0.281" holes on B bottom and top links (item 7 and 8) and then into the 0.228" diameter holes on the B-phase strap and tighten. Torque all screws to the values specified on the rear of the deadfront.

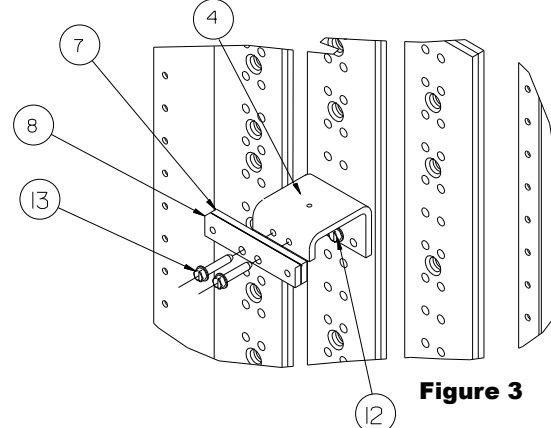


Figure 3

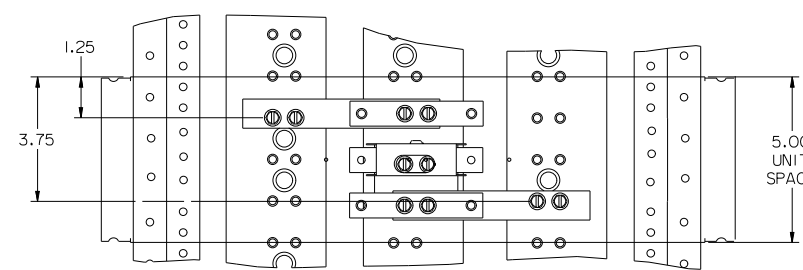


Figure 4

6. Reference fig. 5 - Attach the barrier (item 9) to B-phase strap. Insert the christmas tree rivet (item 10) through the 0.25" diameter hole in the barrier and into the 0.156" diameter hole in the B-phase strap. Push for a tight fit.

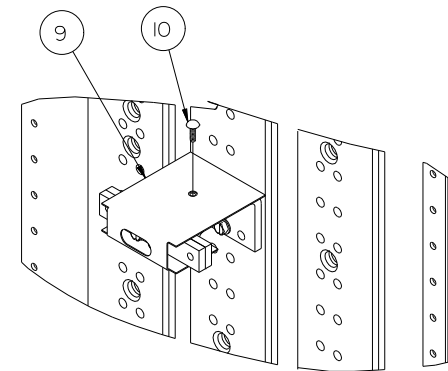


Figure 5

7. Reference fig. 4 and fig. 6 - Locate two 0.228" diameter holes in the A-phase section bus, 1-1/4" down from the top of 5.0" unit space selected. Insert two 1/4-20 thread-forming screws (see the mounting hardware kit, item 12, for proper length) through the two holes in the A-phase straps (item 2 and 3) and then into the 0.228" diameter holes on the A-phase bus and tighten. To install the C-phase strap (item 2 and 3) locate two 0.228" diameter holes on the C-phase section bus 3.75" down from the top of 5.0" unit space selected. Insert two more 1/4-20 screws through the two holes in the strap and then into the 0.228" diameter holes in the C-phase section bus. To install A and C-phase links (item 5 and 6) repeat the installation steps similar to B-phase links installation, orienting the link bars as shown so as to have 1.375" vertically between centers of the bars. Torque all screws to the values specified on the rear of the deadfront.

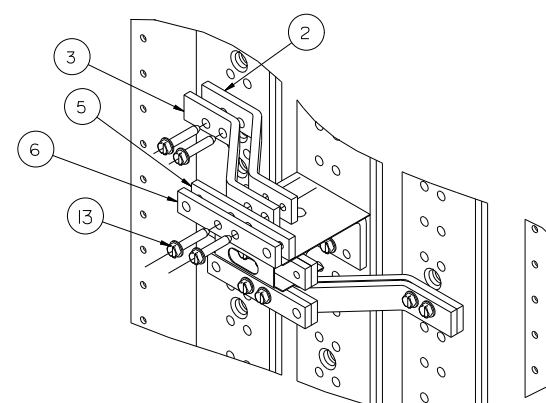


Figure 6

Deep Kit Reference

8. Reference fig. 7 - The mounting brackets (item 11) are to be mounted. Locate a 0.228" diameter hole on the left Z-rail 5/8" below the mounting screws of the A-phase strap. Insert one 1/4-20 X 3/8" screw (item 14) through the 0.312" diameter hole in the mounting bracket and then into the hole in the Z-rail and tighten. Orient the mounting bracket as shown, insert another 1/4-20 X 3/8" screw through the second 0.312" diameter hole in the mounting bracket and then into a 0.228" diameter hole in the Z-rail and tighten. Repeat the same steps to install the second mounting bracket onto the right hand Z-rail. Tighten screws securely.

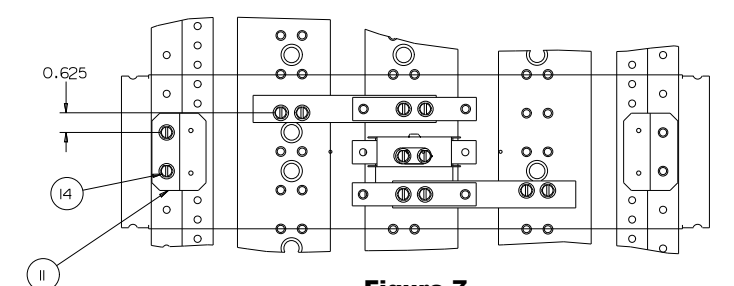


Figure 7

9. Reference fig. 8 - Install a circuit breaker by inserting one 1/4-20 socket-head cap-screw and 1/4-20 washer (item 15 and 16) into each of the three contacts on the line side of the breaker and into the 0.228" diameter holes in the phase links on the A, B and C phase. Torque all connections to the values as specified on the rear of the deadfront. Insert two 8-32 screws (item 19) into the two holes on the load side of the breaker and into the two tapped holes in the mounting bracket and tighten securely.

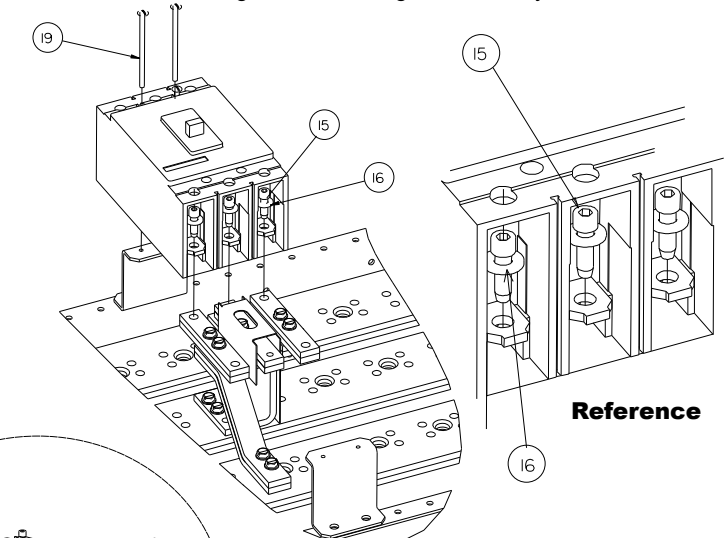


Figure 8

Reference

-2-

-3-

11-B-1024-01 REV. 1