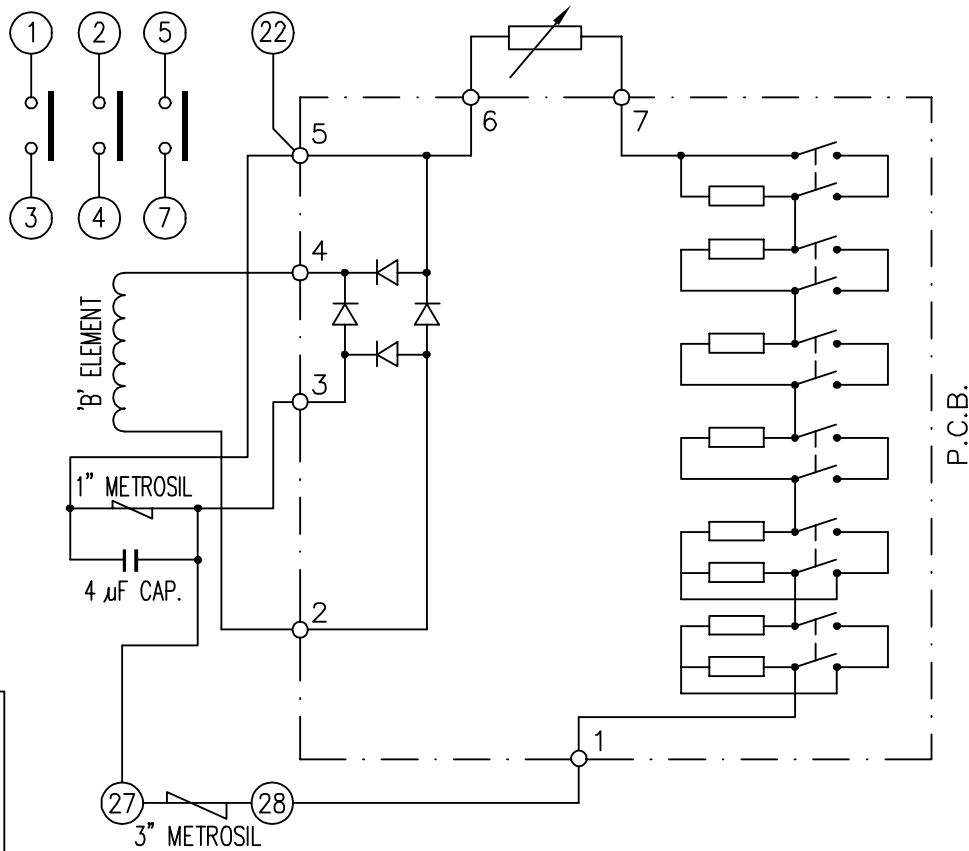


LOOKING ON FRONT OF RELAY



- KEY**
- ○ make contact
  - ⊠ break contact
  - ⊡ c/o contact
  - ② ext. conn
  - ⌒ plug bridge - shorting
  - ⊙ metering point
  - 5Kv barrier
  - ⊞ test socket - shorting
  - ⊙ plug & socket

NOT SUBJECT TO UPDATE  
ONCE COPIED / PRINTED  
OR DOWNLOADED

PRINTED ON 25/06/2003  
ENSURE CORRECT REVISION  
DESTROY AFTER USE

FRAME REFERENCE E3FAMM  
FRAME TERMINAL BLOCK ASSY: -

ASSEMBLY INSTRUCTIONS: -  
TYPICAL ASSEMBLY DRAWING 2995G10032.  
AT INDICATED POSITIONS FIT AS FOLLOWS,  
T - FIT TRIP ISOLATION CONTACT 2995B10053.  
S - FIT STANDARD CONTACT 2995B10054.  
SECURE CONTACTS USING FIXING SCREW  
2109F99009.  
POSITIONS SHOWN BLANK ARE UNUSED.

2	T	T	1
4	T	T	3
6		T	5
8		T	7
10			9
12			11
14			13
16			15
18			17
20			19
22	S		21
24			23
26			25
28	S	S	27

VIEW FROM NUMBERED  
SIDE OF BLOCK

OUTER TERMINAL BLOCK ASSY: -

ASSEMBLY INSTRUCTIONS: -  
TYPICAL ASSEMBLY DRAWING 2995G10029.  
AT INDICATED POSITIONS FIT AS FOLLOWS,  
S - FIT STANDARD CONTACT 2995B10051  
HC - FIT 'HEAVY CURRENT' KIT 2995G10030.  
WHERE ⊙ ○ IS SHOWN FIT CT SHORTING  
KIT 2995G10031  
POSITIONS SHOWN BLANK ARE UNUSED  
ALL POSITIONS FIT SCREW 2106F12506

2	S	S	1
4	S	S	3
6		S	5
8		S	7
10			9
12			11
14			13
16			15
18			17
20			19
22	S		21
24			23
26			25
28	⊙ ○		27

VIEW FROM INSIDE  
FACE

1	6/4/99	MOD.No.	Title. T. B. AND WIRING DIAGRAM FOR 5B3 RELAY IN EPSILON E3 CASE.		First used on:
			2320W50010		Similar Articles:
2320W50010		Supersedes:			
		2320W50010		Original Scale.	
2320W50010				Drq.No.	
		ISSUE	DATE	MOD.No.	Copyright © 1999 Reyrolle Ltd.
DRAWN: S.REEVES	CHECKED:	APPROVED: R.D.WATSON	DATE: 19/07/02		