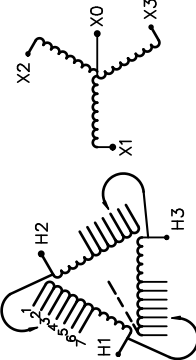


REVISION	DATE	BY	DATE	BY	
1	DESIGN UPDATE	16/10/06	PP	DRAWN 15/12/21	RM
2	ADDED ENCL BOTTOM DRAWING	17/04/03	JW	CHEK'D	
3	DESIGN UPDATE	17/04/04	PP	VERIF'D	

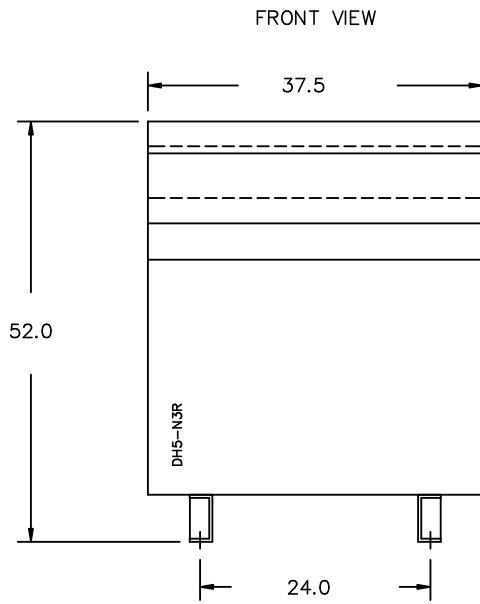
Confidential - Property of Siemens Industry, Inc.		
CUSTOMER		
ORDER NO.	DWG. NO.	3
	3F3Y300FCD16	SH 1 OF 3

SIEMENS

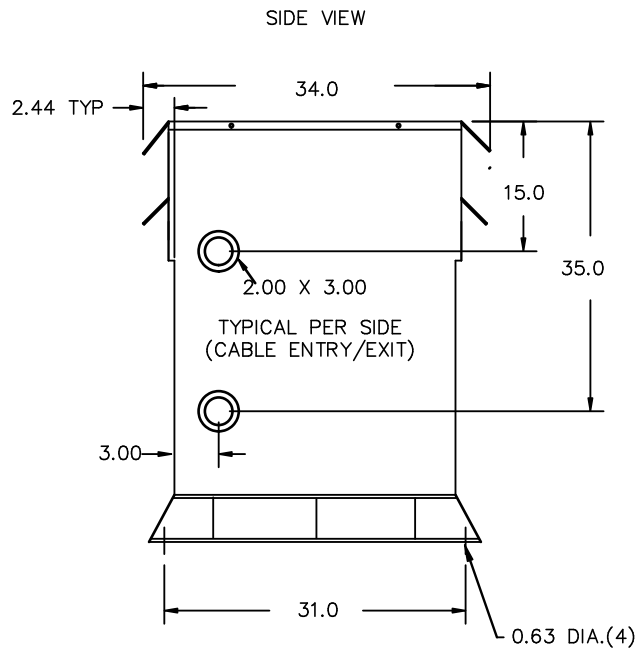
<p>CATALOG NO. 3F3Y300FCD16</p> <p>SERIAL NO. SERIES H</p> <p>300 kVA 60 Hz 3 PHASE</p> <p>4.1 % IMP AT 135 °C</p> <p>115 °C RISE 30 °C AVG. AMBIENT</p> <p>220 °C TEMP CLASS 40 °C MAX. AMBIENT</p> <p>PRIMARY (H1 H2 H3) 480V V 10 kV BIL</p> <p>SECONDARY(X0 X1 X2 X3) 208Y/120V V 10 kV BIL</p> <p>WINDING MATERIAL CU</p> <p>ENCLOSURE TYPE 3R WEIGHT 2100 LBS</p> <p>ENERGY EFFICIENCY EXCEEDS CSA C802.2-2012 DOE 10 CFR PART 431:2016</p> <p>SPACINGS BETWEEN ANY VENTILATED ENCLOSURE PANEL AND ANY ADJACENT WALL SHALL BE A MINIMUM OF 5 INCHES EXCEPT WHEN WALL MOUNTED USING APPROVED WALL MOUNTING KIT</p> <p>SUITABLE FOR INDOOR OR OUTDOOR LOCATIONS BEFORE HANDLING, INSTALLING AND OPERATING; SEE INSTRUCTION MANUAL</p> <p>NEMA Class ANN Dry Type Transformer Siemens Industry, Inc. Norcross, GA <small>dsu0086e</small></p>	 <p>VOLTS CONNECT</p> <p>504 492 480 468 456 444 432</p> <p>1 2 3 4 5 6 7</p>	<p>TYPE K</p> <p>DRY TYPE TRANSFORMER LR 3902</p> <p>UL LISTED E112313</p> <p>SEISMIC QUALIFICATIONS, FLOOR MOUNT ONLY OSP-0136-10 IBC 2012/ASCE 7-10 SDS<=2.0g z/h=1 p=1.5</p>
--	--	--



3F3Y300FCD16

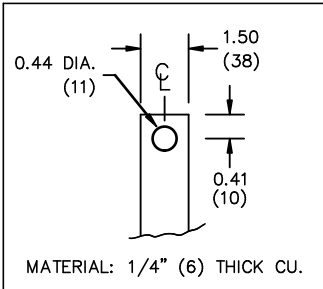


All Dimensions in inches

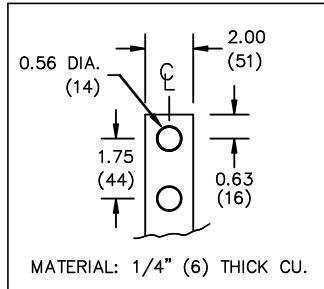


ENCLOSURE COLOR :ANSI 61 GREY – OUTDOOR

H.V.1. TERMINAL DETAIL



L.V.1. TERMINAL DETAIL



CUSTOMER NOTES:

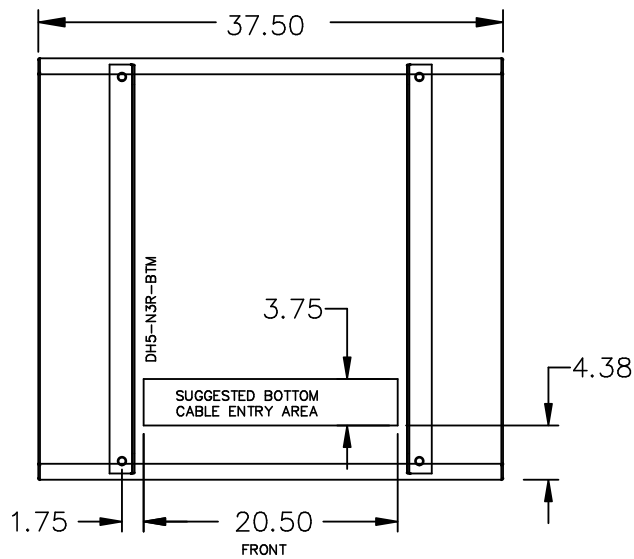
- HV1 TERMINATED AT TOP FRONT
- LV1 TERMINATED AT BOTTOM FRONT

Confidential – Property of
Siemens Industry, Inc.

REVISION	DATE	BY		DATE	BY	
1	DESIGN UPDATE	16/10/06	PP	DRAWN	15/12/21	RM
2	ADDED ENCL BOTTOM DRAWING	17/04/03	JW	CHEK'D		
3	DESIGN UPDATE	17/04/04	PP	VERIF'D		

CUSTOMER		
ORDER NO.	DWG. NO.	3
	3F3Y300FCD16	SH 2 OF 3

ENCLOSURE BOTTOM VIEW



NOTE:
 WHEN BOTTOM CABLE ENTRY IS OPTED, THE SPACE USED FOR CONDUITS IN THE FRONT OF THE TRANSFORMER SHOULD NOT OBSTRUCT MORE THAN 50% OF THE FRONT AIR INTAKE AREA DEFINED BETWEEN THE BOTTOM PLATE AND THE SUPPORTING LEGS.
 SEE MANUAL FOR ADDITIONAL INFORMATION

Confidential – Property of
 Siemens Industry, Inc.

REVISION	DATE	BY		DATE	BY	
1	DESIGN UPDATE	16/10/06	PP	DRAWN	15/12/21	RM
2	ADDED ENCL BOTTOM DRAWING	17/04/03	JW	CHEK'D		
3	DESIGN UPDATE	17/04/04	PP	VERIF'D		

CUSTOMER		
ORDER NO.	DWG. NO.	3
	3F3Y300FCD16	SH 3 OF 3