

Heavy Duty Double Throw Safety Switches, 800 & 1200 Amp

Type VBII, 30 Amp, Type 1 (Indoor) and Type 3R (Outdoor Enclosures)

Standards and Ratings

- UL Listed under file #E4776
- Meets UL98 for switches and UL 50 for enclosures
- Meets NEMA Standard KS-1 for enclosed switches
- Meets NEC wire bending space requirements
- Rated 10,000 AIC as standard or 200,000 when protected by Class L or T fuses
- Suitable for use as Transfer Equipment on optional standby systems as defined by Article 702 of the NEC

- Suitable for use as service entrance equipment

Features

- Quick-make and break switching action
- Visible blade design
- Highly visible ON/OFF indication
- Modular design allows quick and easy replacement of parts
- Defeatable dual cover interlock
- Handle is padlockable in the OFF position

General Information

Catalog Number	Amps	Max AC Volts	Description	Shipping Weight (lbs.)
Type 1, Indoor Enclosure				
DTNF327	800	240		460
DTNF367	800	600	Non-Fusible, 3 Pole, 3 Wire	460
DTNF368	1200	600		470
Type 3R, Outdoor Enclosure				
DTNF367R	800			465
DTNF368R	1200	600	Non-Fusible, 3 Pole, 3 Wire	475

Note: All switches are also rated 250V DC max.

Horsepower Ratings ¹

Catalog Number	240V 3 Ø	480V 3 Ø	600V 3 Ø	250V DC
DTNF327	250	—	—	50
DTNF367	250	500	500	50
DTNF367R	250	500	500	50
DTNF368	250	500	500	50
DTNF368R	250	500	500	50

Accessories

Catalog Number	Description
HA165678	Auxiliary Switch (1-NO & 1 NC)
HA265678	Auxiliary Switch (2-NO & 2 NC)
HG678	Equipment Ground Lug Kit
HND678	Neutral Kit

¹ Dual horsepower ratings: Std - applies when non-time delay fuses are installed.
Max - applies when time-delay fuses are installed.

Product Specification Sheet HD800.9

Answers for industry.

SIEMENS

Product Specification Sheet #HD800.9 (page 2 of 2)

Replacement Parts

Catalog Number	Description
HNB678 ¹	Non-Fusible Replacement Base (2 required per pole)
HHD656	Replacement Handle/Handle Guard
HL65678	Replacement Lugs (1 lug/kit)

Dimensions and Wire Bending Space

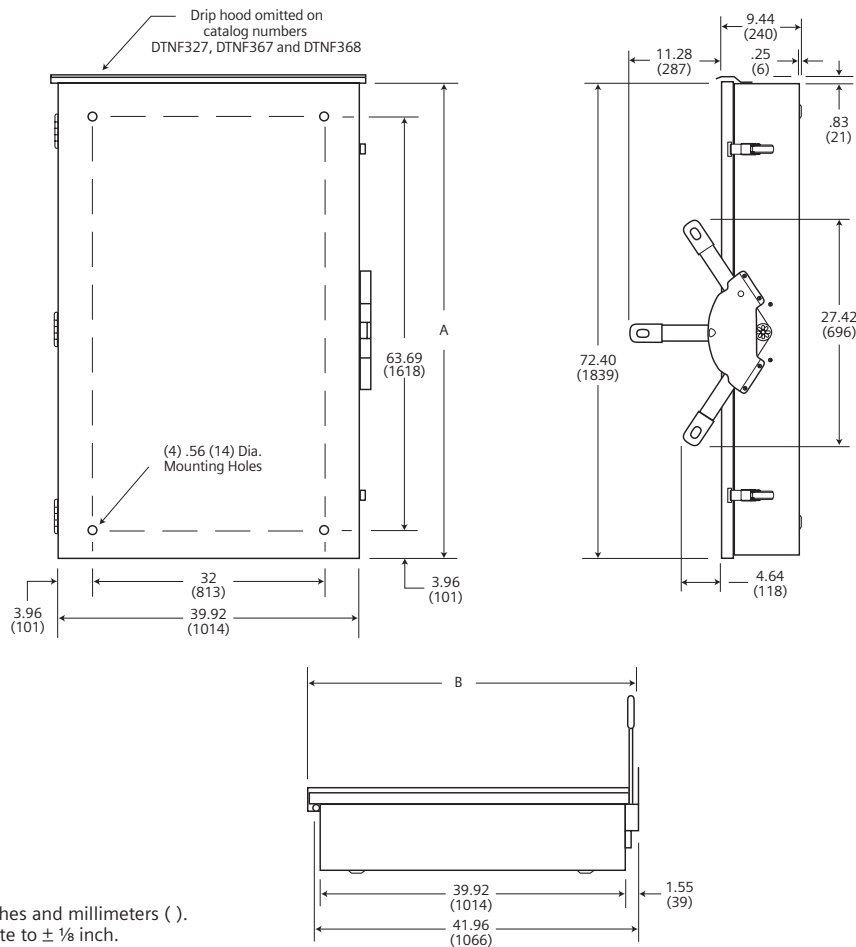
Catalog Number	Dimensions		Wire Bending Space	
	A	B	Top	Bottom
DTNF327	71.65	—	19.75 (502)	19.71 (501)
DTNF367	(1820)			
DTNF368				
DTNF367R	71.75	42.34		
DTNF368R	(1822)	(1075)		

¹ Lugs are provided on the Replacement Base Assembly.

Mechanical Lug Wire Range (75°C, Cu/Al)

Description	Wire Range
Line, Load (800A)	(2) 1/0 AWG - 750 Kcmil or (3) 1/0 - 500 Kcmil
Line, Load (1200A)	(3) 1/0 AWG - 600 Kcmil or (4) 1/0 - 500 Kcmil
Neutral	(4) 1/0 AWG - 750 Kcmil
Ground	(4) #6 AWG - 250 Kcmil

Dimension Drawing



Dimensions shown in inches and millimeters ().
Dimension shown accurate to $\pm \frac{1}{8}$ inch.

Type 1
Enclosure: Cold Rolled Steel
Box .093 (12 Gauge)
Finish – ANSI Grey #61 Paint
Type 3R
Enclosure: Galvanized Steel
Box .097 Thick (12 Gauge)
Finish – ANSI Grey #61 Paint