

**Danger****Peligro****Danger**

Hazardous Voltage.
Will cause death or serious injury.

Tensión peligrosa.
Puede causar la muerte o lesiones graves.
Desenergice totalmente antes de instalar o darle servicio.
Reemplace todas las barreras y cubiertas antes de energizar el interruptor.

Tension dangereuse.
Danger de mort ou risque de blessures graves.
Couper l'alimentation de l'appareil et barrer avant de travailler.
Remplacez tous les couverts avant que l'alimentation de pouvoir soit alimenté.



Turn off and lock out all power supplying this device before working on this device.
Replace all covers before power supplying this device is turned on.

Panel Mount Assembly

Catalog Numbers	Component	Index	QTY
VBFS365 VBNFS365 VBFS366 VBNFS366	Linebase (factory installed)	A1	1
	Loadbase (factory installed - Fused Only)	A2	1
	Mechanism (factory installed)	A3	1
	Mounting Pan (line base)	A4	1
	Mounting Pan (load base – Fused Only)	A5	1
	Support Bracket (600 amp Only, factory installed)	A6	1
	Screw, 1/4-20 x 1/2 (not shown)	A7	4 (8) ¹
	Threaded Rod	A8	1
	Lock Washer, 1/4 (not shown)	A9	4 (8) ¹
	Flat Washer, 1/4 (not shown)	A10	4 (8) ¹

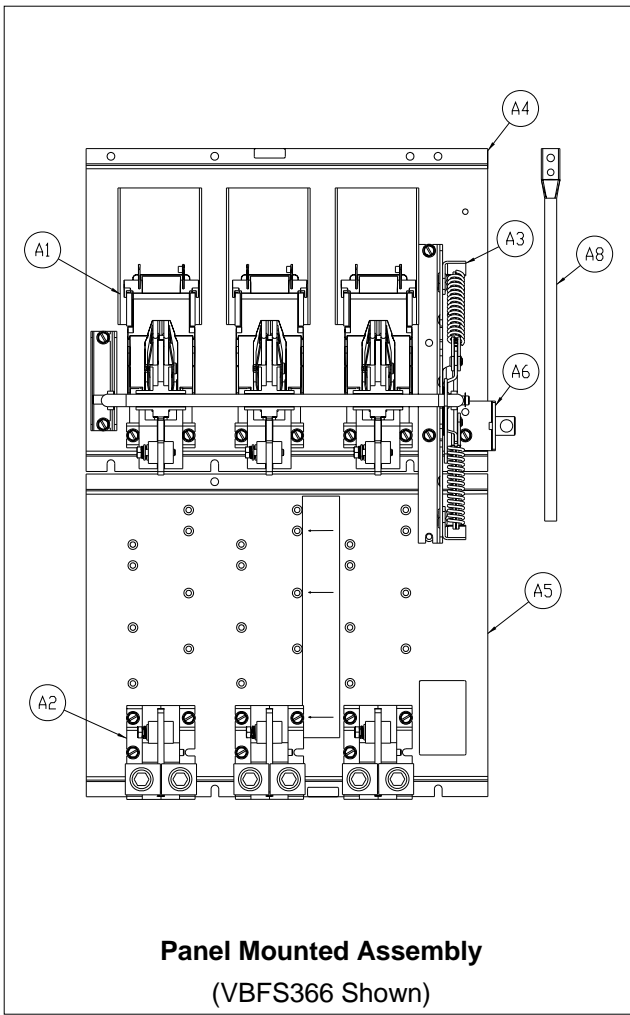
Linkage Kit

Catalog Numbers	Component	Index	QTY
VBK4	Driver Plate (required for 400 amp only)	B1	1
	Threaded Rod	B2	1
	E-Ring, 1/4" (required for 400 amp, VBH2 kit only)	B3	2
	Flat Washer, 1/4" (required for 400 amp only)	B4	1
	Retaining ring, type PO (required for 400 amp only)	B5	1

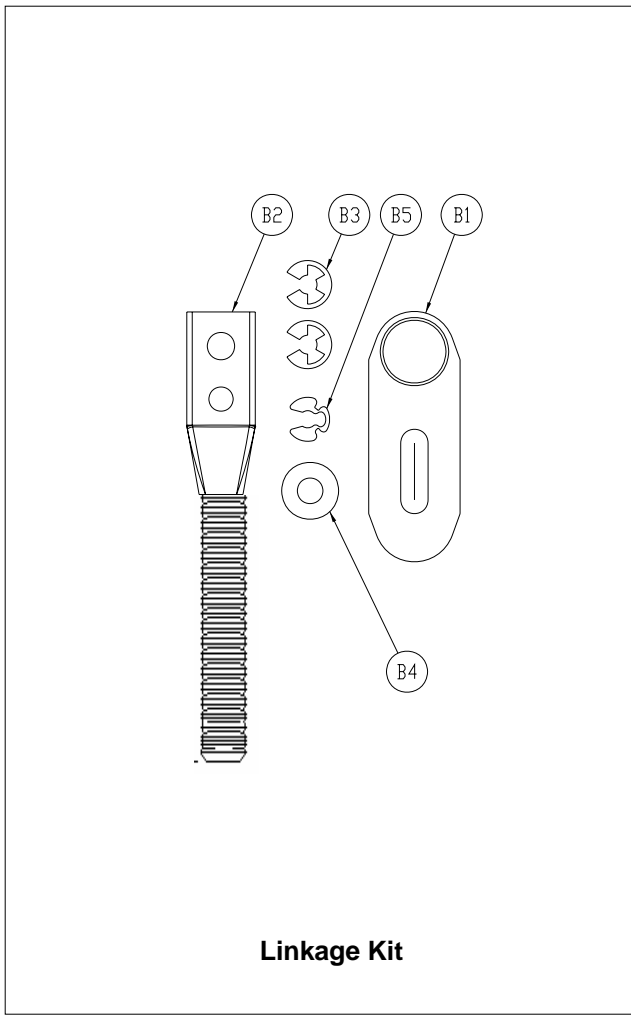
Handle Kit

Catalog Numbers	Component	Index	QTY
VBH2R VBH24X	Handle	C1	1
	Handle Support Bracket	C2	1
	Door Catch	C3	1
	Door Catch Bracket	C4	1
	Interlock Lever Extension	C5	1
	Screw, 1/4-20 x 1/2, thread forming	C6	6
	Screw, 1/4-20 x 3/4, machine	C7	2
	Flat Washer, 1/4	C8	2
	Lock Washer, 1/4	C9	4
	Nut, 1/4-20	C10	2
	Lock Washer, 5/16	C11	2
	Gasket (required for Type 3R/12/4X)	C12	1
	Screw, #8-32 x 5/16	C13	4
	Lock Washer, #8	C14	4
	Screw, 5/16-18 x 3/4	C15	2
	Gasket (required for Type 3R/12/4X)	C16	1
	Sealing Washer, 1/4 (required for Type 3R/12/4X)	C17	4

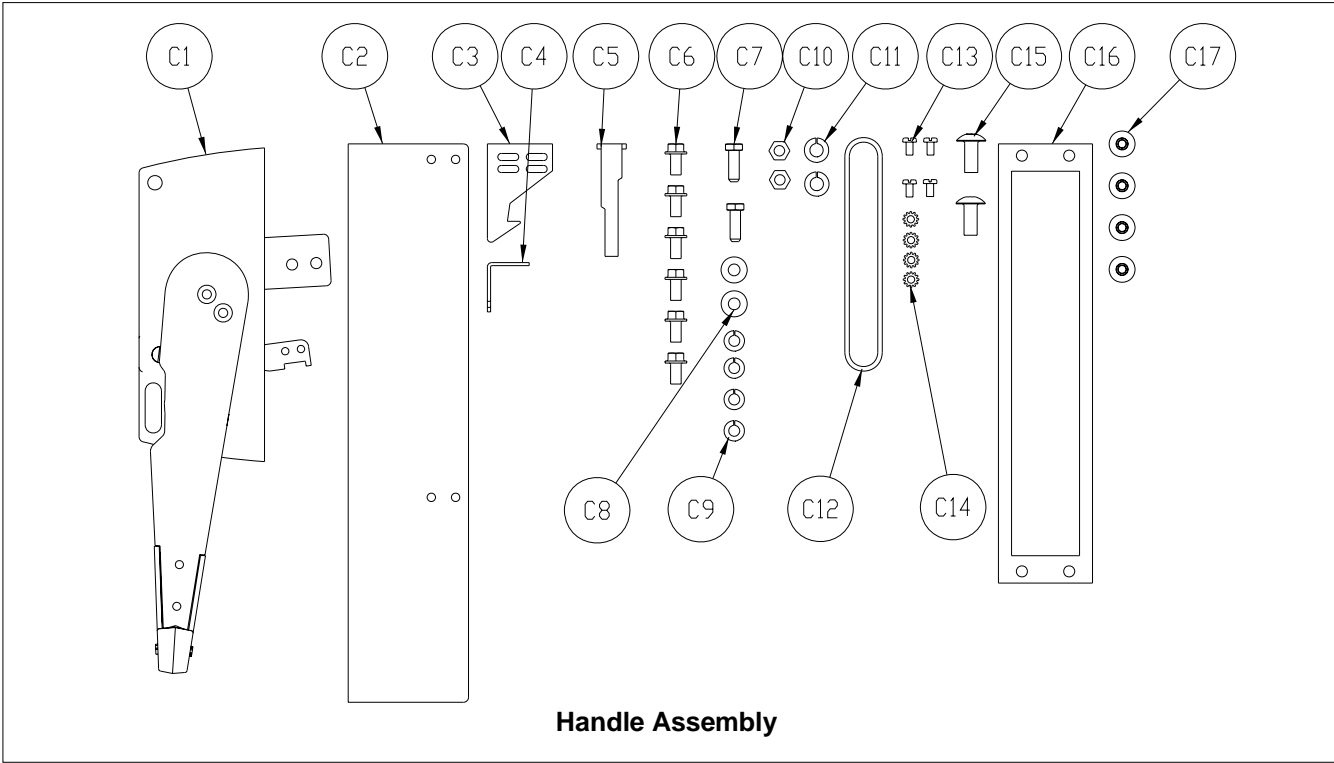
¹ Quantity of mounting screws, (), for fused switches only.



Panel Mounted Assembly
(VBFS366 Shown)



Linkage Kit



Handle Assembly