

IF IN DOUBT ASK  
DO NOT SCALE

A

B

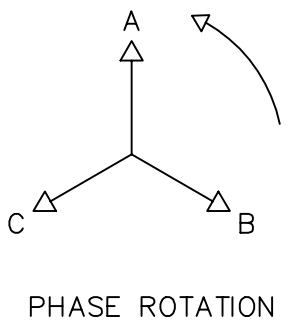
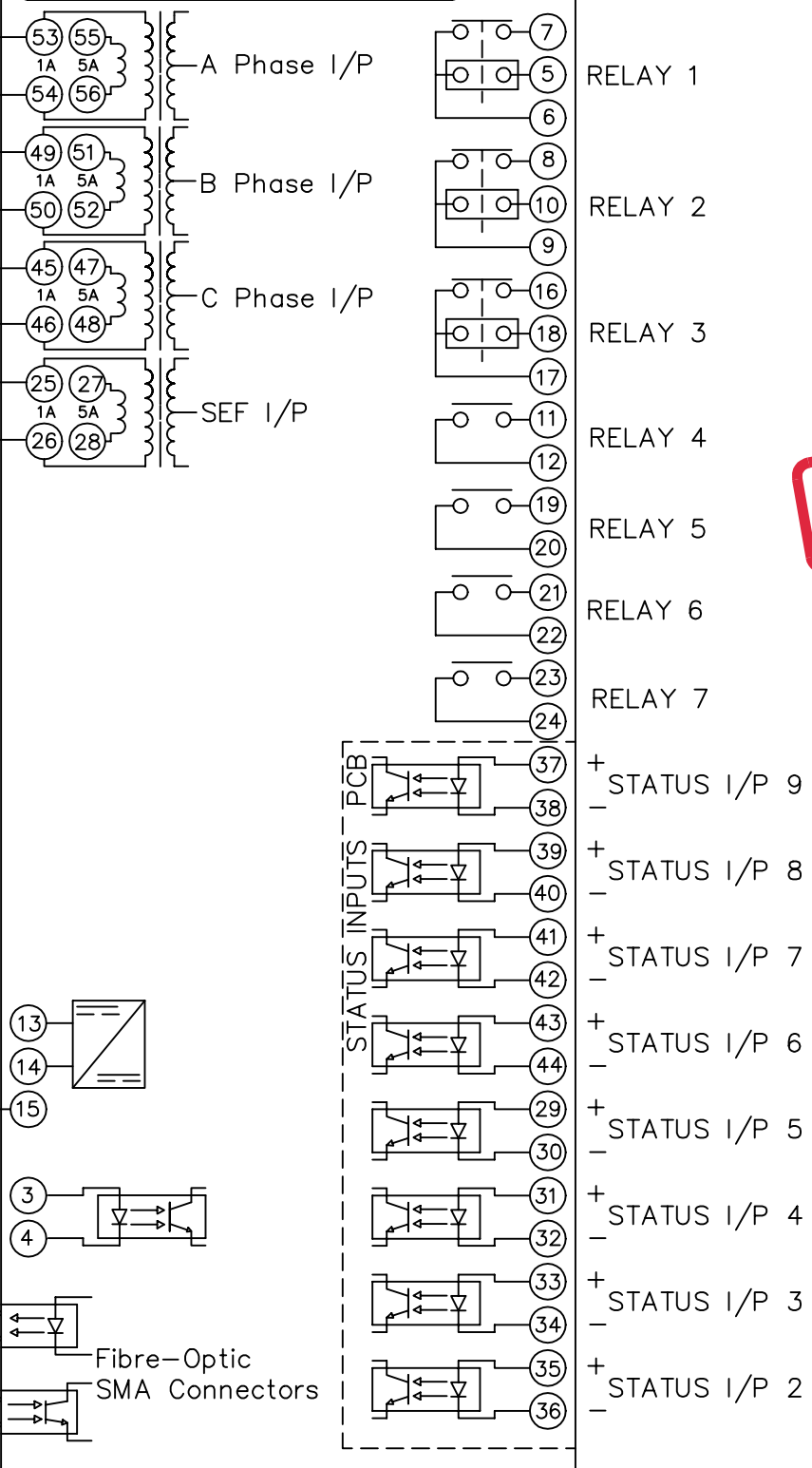
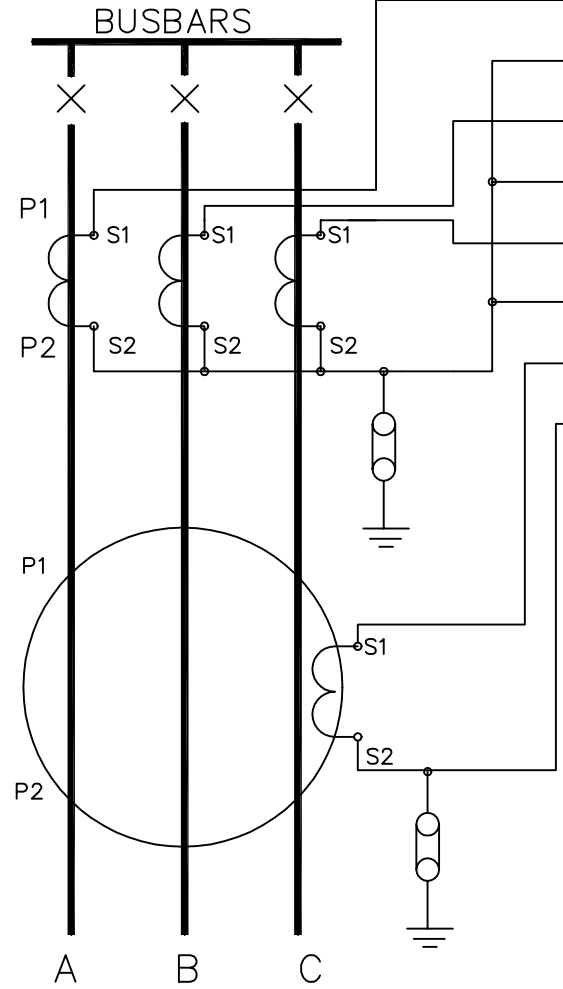
C

D

E

F

DCD42x C R6 Case Size



D.C. Auxiliary Input Volts  
+ (13)  
- (14)

Earth (15)  
STATUS I/P 1 + (3)  
- (4)

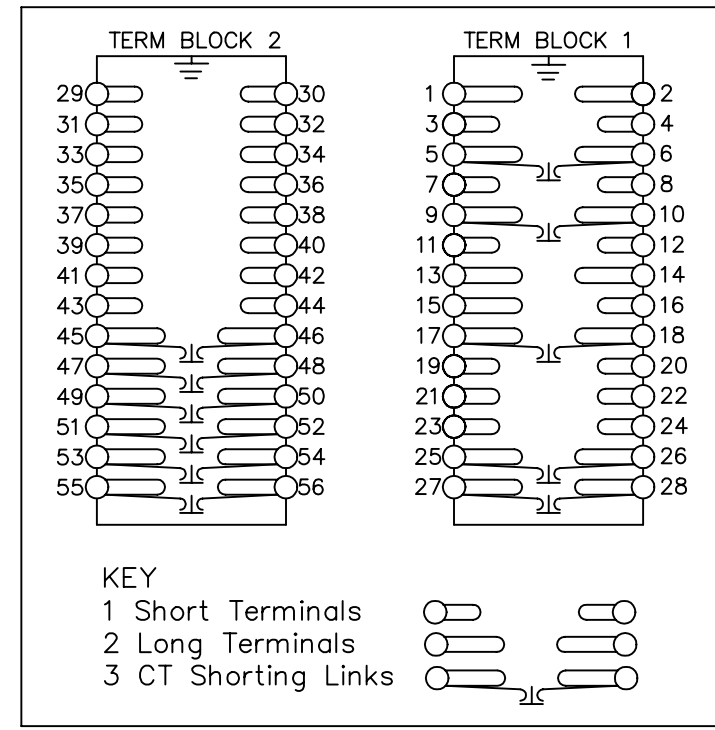
TX  
RX  
Fibre-Optic SMA Connectors

NOTES

- 1 CT CIRCUITS ARE SHOWN CONNECTED TO RELAY 1 AMP TAP. USE ALTERNATIVE TAP FOR 5AMP RATED CTs.
- 2 CT & EARTH CONNECTIONS ARE TYPICAL ONLY.
- 3 METROSIL & SETTING RESISTORS ARE REQUIRED FOR HIGH IMPEDANCE & RESTRICTED E/F APPLICATIONS.
- 4 FOR TERMINAL DIAGRAM SEE 2434W20001 (A2)
- 5 DRG SHOWS OPTION C (7 O/P. 9 I/P).

**NOT SUBJECT TO UPDATE  
ONCE COPIED / PRINTED  
OR DOWNLOADED**

TERMINAL BLOCKS VIEWED FROM REAR



KEY  
1 Short Terminals  
2 Long Terminals  
3 CT Shorting Links

MATERIAL:

Dimensions in millimetres : Surface texture in micrometres.  
Machine where marked ✓  
For explanation of dimensions, tolerances, notes etc. see B.S.308.  
Limit on untoleranced unmachined dimensions ± \_\_\_\_\_  
Limits on untoleranced machined dimensions to B.S.4500;  
i.e. up to 6±0.1; over 30 to 120±0.3; over 315±0.8;  
over 6 to 30±0.2; over 120 to 315±0.5;  
General unmachined angular tolerance ± \_\_\_\_\_

Finish:  
Treatment:

Title:  
TYPICAL SCHEMATIC DIAGRAM FOR 3 PHASE + SEF  
DCD OVERCURRENT RELAY  
**Reyrolle Protection  
Hebburn.**

Original Scale:  
NTS

First used on:  
Similar Articles: 2434W10015  
Supersedes:  
Drg. No. **2434W10033**