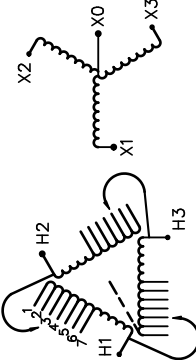




FOR APPROVAL ONLY

- MADE IN USA

SIEMENS

CATALOG NO. 3F3Y015K4CD16BA SERIAL NO. SERIES H 15 kVA 60 Hz 3 PHASE 3.5 % IMP AT 170 °C			
150 °C RISE 220 °C TEMP CLASS PRIMARY (H1 H2 H3) SECONDARY(X0 X1 X2 X3)	30 °C AVG. AMBIENT 40 °C MAX. AMBIENT 480 V 10 kV BIL 208Y/120 V 10 kV BIL	VOLTS 504 492 480 468 456 444 432	CONNECT 1 2 3 4 5 6 7
WINDING MATERIAL CU ENCLOSURE TYPE 3R WEIGHT 210 LBS ENERGY EFFICIENCY EXCEEDS CSA 802.2-2012 DOE 10 CFR PART 431:2016		TYPE K  	
SPACINGS BETWEEN ANY VENTILATED ENCLOSURE PANEL AND ANY ADJACENT WALL SHALL BE A MINIMUM OF 3 INCHES ELECTROSTATIC SHIELD		SEISMIC QUALIFICATIONS, FLOOR MOUNT ONLY OSP-0136-10 IBC 2012/ASCE 7-10 SDS<=2.0g z/h=1 lp=1.5	
NEMA Class ANN Dry Type Transformer		Siemens Industry, Inc. Norcross, GA 30092	

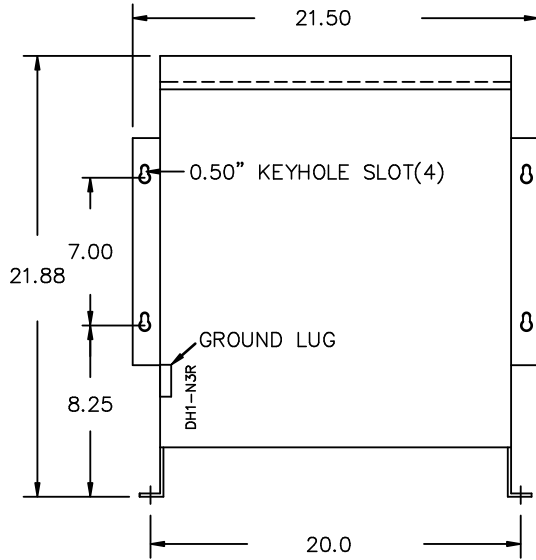


REVISION	DATE	BY	DATE	BY
		DRAWN	17/02/22	GP
		CHEK'D		
		VERIF'D		

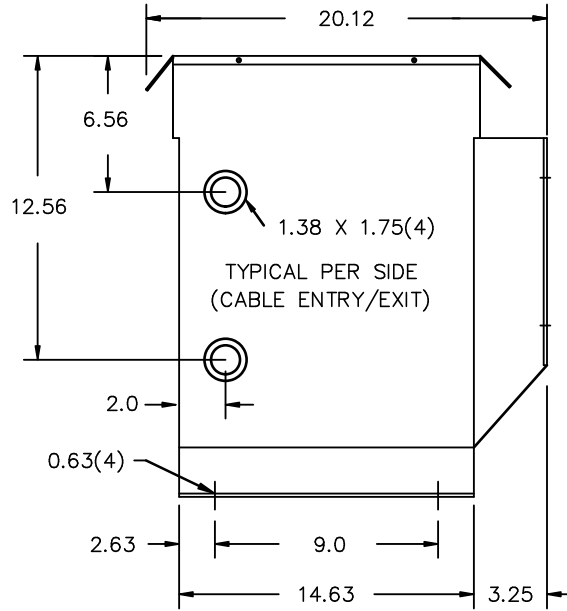
Confidential - Property of Siemens Industry, Inc.	
CUSTOMER	
ORDER NO.	DWG. NO.
	3F3Y015K4CD16BA SH 1 OF 3

FOR APPROVAL ONLY

FRONT VIEW



SIDE VIEW



All Dimensions in inches

ENCLOSURE COLOR : ANSI-61 GREY PAINT OUTDOOR

HV TERMINAL DETAIL

LV TERMINAL DETAIL

X0 TERMINAL DETAIL

MECHANICAL TYPE LUGS INCLUDED
SUITABLE FOR #14-2 CU/AL
CONDUCTORS
1 CONDUCTOR PER PHASE

MECHANICAL TYPE LUGS INCLUDED
SUITABLE FOR #14-2 CU/AL
CONDUCTORS
1 CONDUCTOR PER PHASE

MECHANICAL TYPE LUGS INCLUDED
SUITABLE FOR #2/0-14 CU/AL
CONDUCTORS
1 CONDUCTOR PER PHASE

CUSTOMER NOTES:

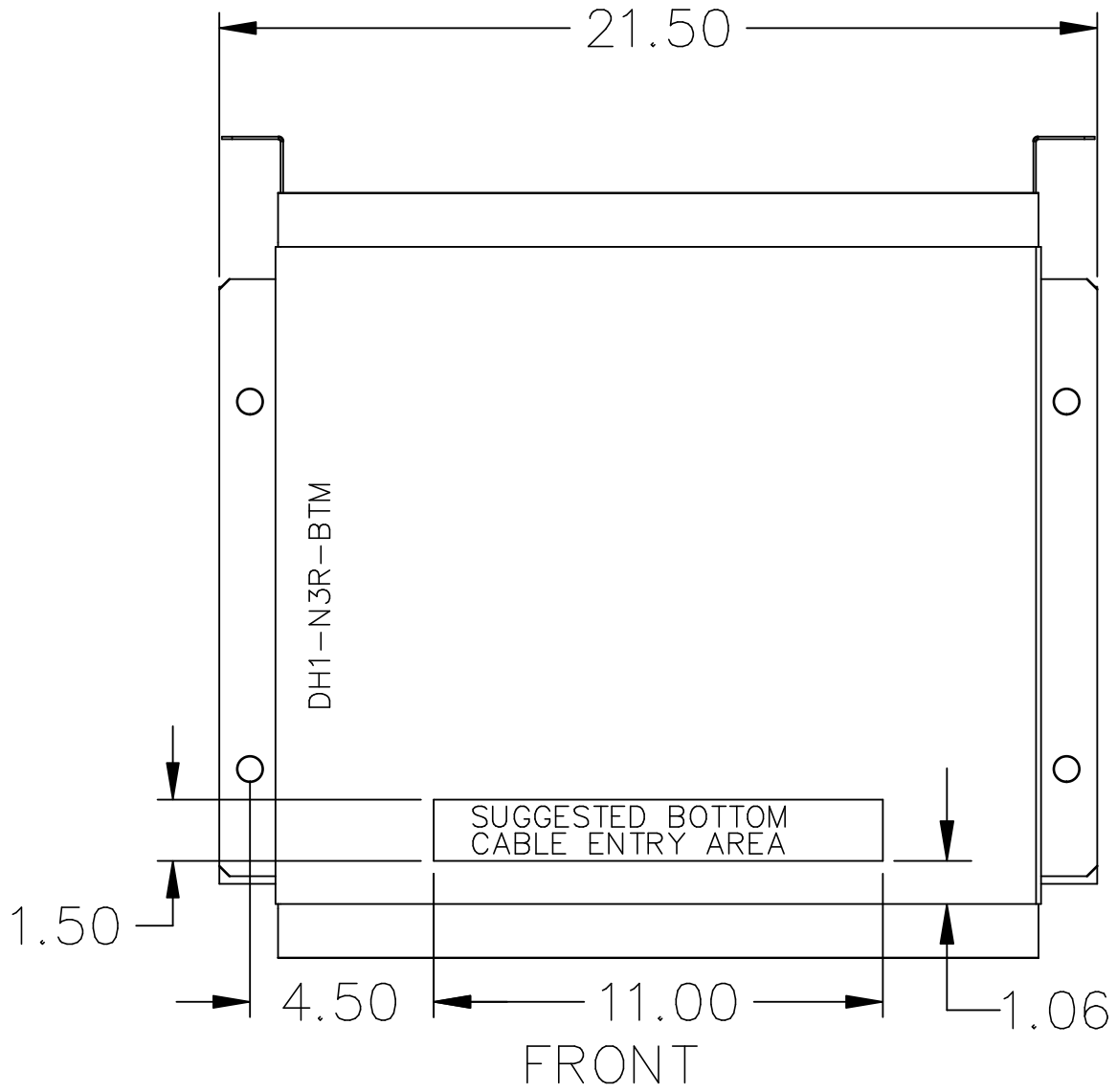
- HV TERMINATED AT TOP FRONT
- LV TERMINATED AT BOTTOM FRONT
- X0 TERMINATED AT BOTTOM FRONT
- 200% RATED NEUTRAL PROVIDED

Confidential - Property of
Siemens Industry, Inc.

REVISION	DATE	BY	DATE	BY
		DRAWN	17/02/22	GP
		CHEK'D		
		VERIF'D		

CUSTOMER	
ORDER NO.	DWG. NO. 3F3Y015K4CD16BA SH 2 OF 3

FOR APPROVAL ONLY



NOTE:
 WHEN BOTTOM CABLE ENTRY IS OPTED, THE SPACE USED FOR CONDUITS IN THE FRONT OF THE TRANSFORMER SHOULD NOT OBSTRUCT MORE THAN 50% OF THE FRONT AIR INTAKE AREA DEFINED BETWEEN THE BOTTOM PLATE AND THE SUPPORTING LEGS.
 SEE MANUAL FOR ADDITIONAL INFORMATION

Confidential - Property of
 Siemens Industry, Inc.

REVISION	DATE	BY	DATE	BY
			17/02/22	GP

CUSTOMER	
ORDER NO.	DWG. NO.
	3F3Y015K4CD16BA SH 3 OF 3

0.0 gpatel 2017/02/22 17:48