



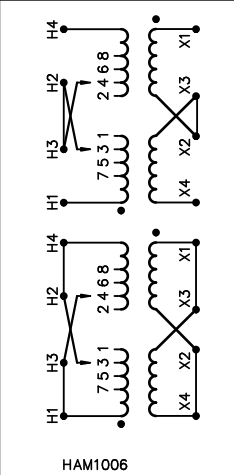
REVISION	DATE	BY	DATE	BY
		DRAWN	07/04/25	CY
		CHEK'D		
		VERIF'D		

Confidential - Property of <b>Siemens Industry, Inc.</b> Building Technologies Division		
CUSTOMER		
ORDER NO.	DWG. NO.	
	1D1Y037FCTP1	SH 1 OF 2

# SIEMENS

CATALOG NO. 1D1Y037FCTP1  
 SERIAL NO. SERIES H  
**37.5** kVA **60** Hz **1** PHASE  
**5** % IMP AT **135** °C  
**115** °C RISE °C AVG. AMBIENT  
**220** °C TEMP CLASS °C MAX. AMBIENT  
 PRIMARY ( H1 H3 H2 H4 ) **240X480** V  
 SECONDARY(X4 X2 X3 X1 ) **120/240** V  
 WINDING MATERIAL **CU**  
 ENCLOSURE TYPE NEMA-3R WEIGHT **330** LBS  
 ENERGY EFFICIENCY NEMA TP 1-2002

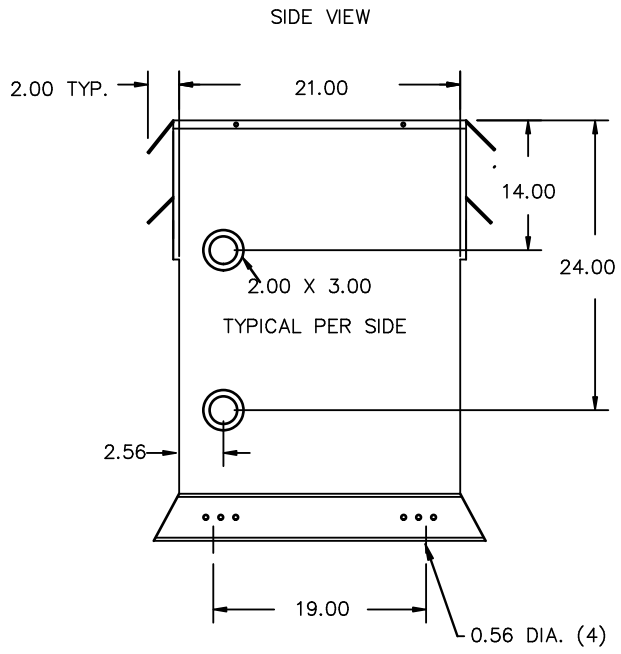
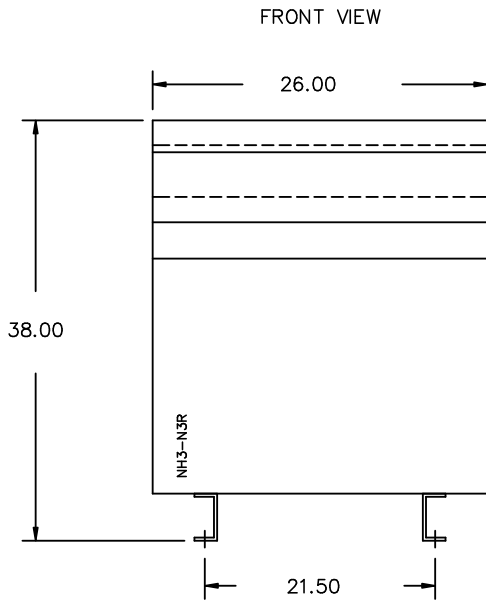
SPACINGS BETWEEN ENCLOSURE AND ANY ADJACENT WALL SHALL BE A MINIMUM OF 6 INCHES  
 LISTED DISTRIBUTION TRANSFORMER 77US  
 TYPE  LR 3902  
  
 E112313  
 SUITABLE FOR INDOOR OR OUTDOOR LOCATIONS  
 DO NOT INSTALL IN AREAS ACCESSIBLE TO PUBLIC  
 FOR INSTALLATION SEE INSTRUCTION MANUAL  
 NEMA Class **ANN** Dry Type Transformer Siemens Industry, Inc. Norcross, GA



VOLTS	INPUT LINE ON H1 & H4
504	CONNECT
492	H2-1, H3-2
480	H3-2, H2-3
468	H2-3, H3-4
456	H3-4, H2-5
444	H2-5, H3-6
432	H3-6, H2-7
252	H2-7, H3-8
240	H2-1, H3-2
228	H2-3, H3-4
216	H2-5, H3-6
	H2-7, H3-8

VOLTS	CONNECT	OUTPUT LINE
120	X1-X3, X2-X4	X1-X4
240	X2-X3	X1-X4
240/120	X2-X3	X1-X2-X4





All Dimensions in inches

ENCLOSURE COLOR :ANSI 61 GREY – OUTDOOR

H.V.1. TERMINAL DETAIL

L.V.1. TERMINAL DETAIL

MECHANICAL TYPE LUGS INCLUDED  
SUITABLE FOR #2/0-6 CU/AL  
CONDUCTORS  
1 CONDUCTOR PER PHASE

MECHANICAL TYPE LUGS INCLUDED  
SUITABLE FOR 250MCM-6 CU/AL  
CONDUCTORS  
1 CONDUCTOR PER PHASE

CUSTOMER NOTES:  
- HV1 TERMINATED AT TOP FRONT  
- LV1 TERMINATED AT BOTTOM FRONT

Confidential – Property of  
**Siemens Industry, Inc.**  
Building Technologies Division

REVISION	DATE	BY	DATE	BY
			07/04/25	CY

CUSTOMER	
ORDER NO.	DWG. NO. 1D1Y037FCTP1
SH 2 OF 2	

0.2 rbhatta 2010/06/19 11:02