

REVISION	DATE	BY	DATE	BY
1	06/07/10	RB	03/06/20	VG
2	17/10/03	RM		

CUSTOMER	
ORDER NO.	DWG. NO.
	1D1Y100TP1
	SH 1 OF 2

# SIEMENS

CATALOG NO. 1D1Y100TP1  
SERIAL NO. SERIES H  
100 kVA 60 Hz 1 PHASE  
4.9 % IMP AT 170 °C

150 °C RISE 30 °C AVG. AMBIENT  
220 °C TEMP CLASS 40 °C MAX. AMBIENT

PRIMARY ( H1 H2 ) 240X480V V  
SECONDARY(X4 X2 X3 X1 ) 120/240V V

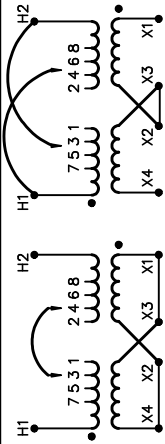
WINDING MATERIAL AL

ENCLOSURE TYPE 3R WEIGHT 755LBS  
ENERGY EFFICIENCY CSA CSA C802.2-12 NEMA TP 1-2002

SPACINGS BETWEEN ENCLOSURE AND ANY ADJACENT WALL SHALL BE A MINIMUM OF 6 INCHES

SUITABLE FOR INDOOR OR OUTDOOR LOCATIONS  
DO NOT INSTALL IN AREAS ACCESSIBLE TO PUBLIC  
NE PAS INSTALLER DANS DES ENDROITS ACCESSIBLES AU PUBLIC  
FOR INSTALLATION SEE INSTRUCTION MANUAL

NEMA Class ANN Dry Type Transformer Siemens Industry, Inc. Norcross, GA



VOLTS	CONNECT
504	1-2
492	2-3
480	3-4
468	4-5
456	5-6
444	6-7
432	7-8
252	H2-1, H1-2
240	H2-3, H1-4
228	H2-5, H1-6
216	H2-7, H1-8

VOLTS	CONNECT	OUTPUT LINE
120	X1-X3, X2-X4	X1-X4
240	X2-X3	X1-X4
240/120	X2-X3	X1-X2-X4

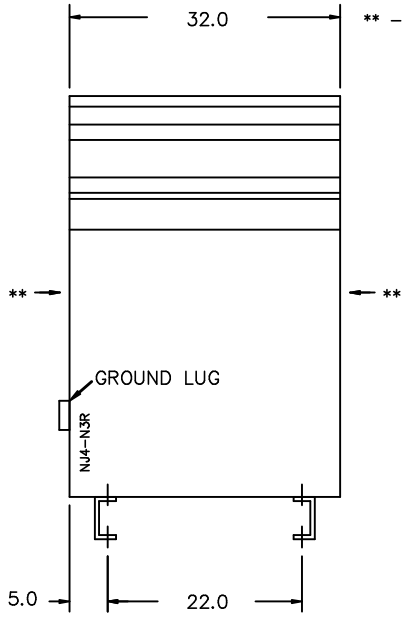
LISTED DISTRIBUTION TRANSFORMER 77US TYPE F

UL LR 3902 E112313

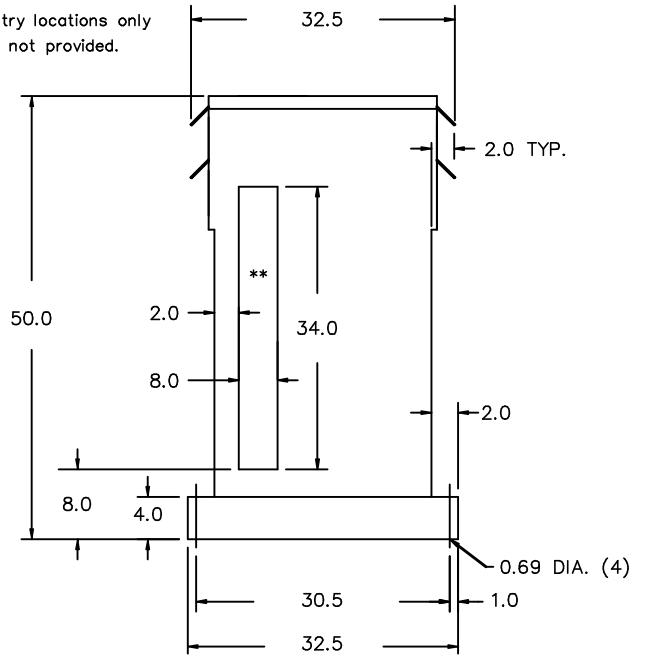
dsu0082e1



FRONT VIEW



SIDE VIEW



All Dimensions in inches

ENCLOSURE COLOR : ANSI 61 GREY - OUTDOOR

CUSTOMER NOTES:

- HV1 TERMINATED AT TOP REAR
- LV1 TERMINATED AT BOTTOM FRONT

Siemens Industry, Inc.

REVISION	DATE	BY	DATE	BY
			03/06/20	VG
1	06/07/10	RB	CHEK'D	
2	17/10/03	RM	VERIF'D	

CUSTOMER		
ORDER NO.	DWG. NO.	2
	1D1Y100TP1	SH 2 OF 2