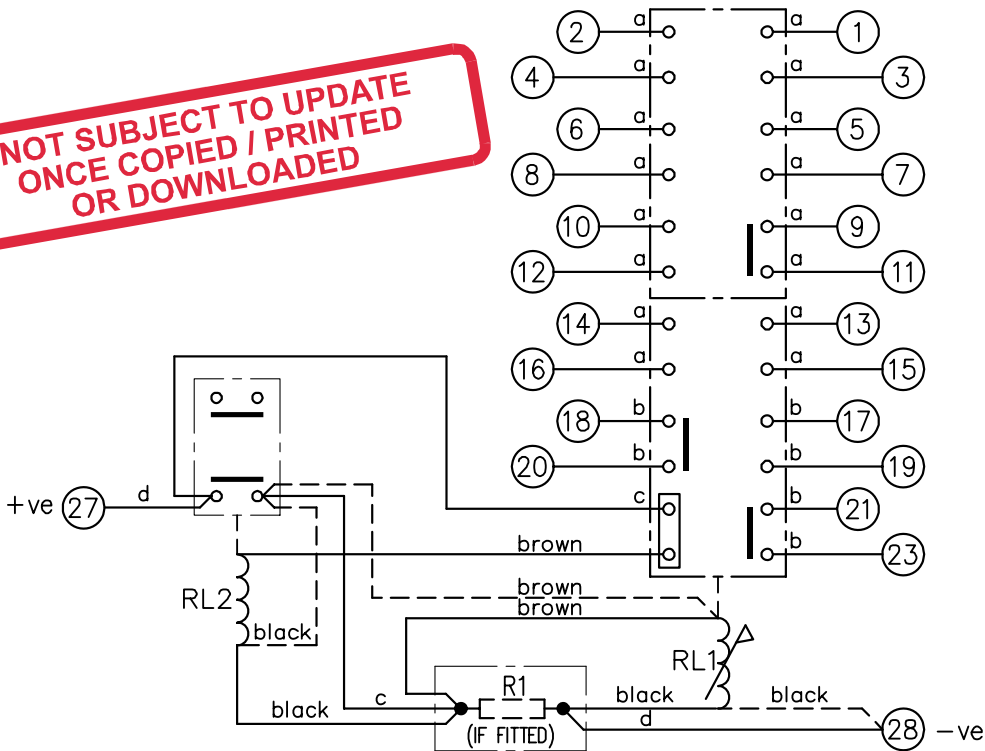


LOOKING ON FRONT OF RELAY

PRINTED ON 12/04/2012
ENSURE CORRECT REVISION
DESTROY AFTER USE

2112W50040

NOT SUBJECT TO UPDATE
ONCE COPIED / PRINTED
OR DOWNLOADED



ASSEMBLY WIRES USED	
a	2107B10001 16 OFF
b	2107B10002 6 OFF
c	2107D10169 2 OFF
d	2107D10165 2 OFF

RL2 COIL	2112G20031	2112G20031	2112G20031	2112G20031	2112G20031						
RL1 COIL	2112G20014	2112G20016		2112G20020							
R1	390R	2102C35391		2X100R IN SERIES 2102C41101							
Vdc	24	30	48	60	125						
CONTACT CONFIG.	1-3	2-4	5-7	6-8	9-11	10-12	13-15	14-16	17-19	18-20	21-23
11M	M	M	M	M	M	M	M	M	M	M	M
10M 1B	M	B	M	M	M	M	M	M	M	M	M
9M 2B	B	B	M	M	M	M	M	M	M	M	M
8M 3B	B	B	M	B	M	M	M	M	M	M	M
7M 4B	B	B	B	B	M	M	M	M	M	M	M
6M 5B	B	B	B	B	M	B	M	M	M	M	M
5M 6B	B	B	M	B	M	M	B	B	B	M	M
4M 7B	B	B	B	B	M	M	B	B	B	M	M
3M 8B	B	B	B	B	M	B	B	B	B	M	M

- KEY**
- make contact
 - break contact
 - c/o contact
 - ext. conn
 - plug bridge - shorting
 - metering point
 - 5Kv barrier
 - test socket - shorting
 - plug & socket

- NOTE:**
1. CONTACT CONFIGURATION ABOVE IS REQUIRED FOR RELAY OPERATION. FOR DETAILS OF VARIABLE CONTACT OPTIONS SEE TABLE OPPOSITE.
 2. RESISTOR R1 IS FITTED ONLY WHEN REQUIRED. SEE TABLE ABOVE.
 3. DASHED LINE --- SHOWS CONNECTIONS WHEN RESISTORS ARE NOT FITTED.

FRAME REFERENCE: E4FS05.
FRAME TERMINAL BLOCK ASSY: -

ASSEMBLY INSTRUCTIONS: -
TYPICAL ASSEMBLY DRAWING 2995G10032.
AT INDICATED POSITIONS FIT AS FOLLOWS:
T - FIT TRIP ISOLATION CONTACT 2995B10053
S - FIT STANDARD CONTACT 2995B10054
SECURE CONTACTS USING FIXING SCREW 2109F99009.
POSITIONS SHOWN BLANK ARE UNUSED

2	T	T	1
4	T	T	3
6	T	T	5
8	T	T	7
10	T	T	9
12	T	T	11
14	T	T	13
16	T	T	15
18	T	T	17
20	T	T	19
22	T	T	21
24	T	T	23
26			25
28	S	S	27

VIEW FROM NUMBERED
SIDE OF BLOCK

OUTER TERMINAL BLOCK ASSY: -

ASSEMBLY INSTRUCTIONS: -
TYPICAL ASSEMBLY DRAWING 2995G10029.
AT INDICATED POSITIONS FIT AS FOLLOWS:
S - FIT STANDARD CONTACT 2995B10051
HC - FIT 'HEAVY CURRENT' KIT 2995G10030
WHERE IS SHOWN FIT CT SHORTING KIT 2995G10031
POSITIONS SHOWN BLANK ARE UNUSED.
ALL POSITIONS FIT SCREW 2106F12506.

2	S	S	1
4	S	S	3
6	S	S	5
8	S	S	7
10	S	S	9
12	S	S	11
14	S	S	13
16	S	S	15
18	S	S	17
20	S	S	19
22	S	S	21
24	S	S	23
26			25
28	S	S	27

VIEW FROM INSIDE
FACE

4 RDW 12/04/12 MN112/3514 JB			Title: T.B. AND WIRING DIAG. FOR 7PG15223 (TR223-11) RELAYS IN E4 CASE.		First used on:	
3 RDW 14/11/05 MN112/2744			Reyrolle Protection Hebburn.		Similar Articles:	
2 27/04/00 MN995/09					Supersedes:	
ISSUE DATE MOD.No.			Original Scale.		Drg.No. 2112W50040	
DRAWN: A.LAW.		CHECKED:	APPROVED: R.D.WATSON	DATE: 16/07/02	Copyright © 1998 Reyrolle Ltd.	