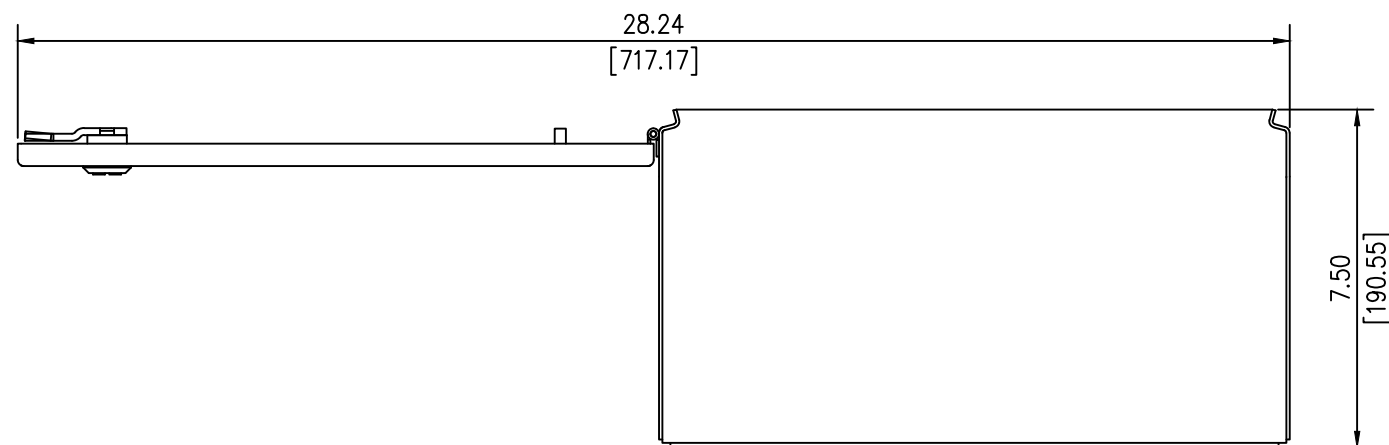
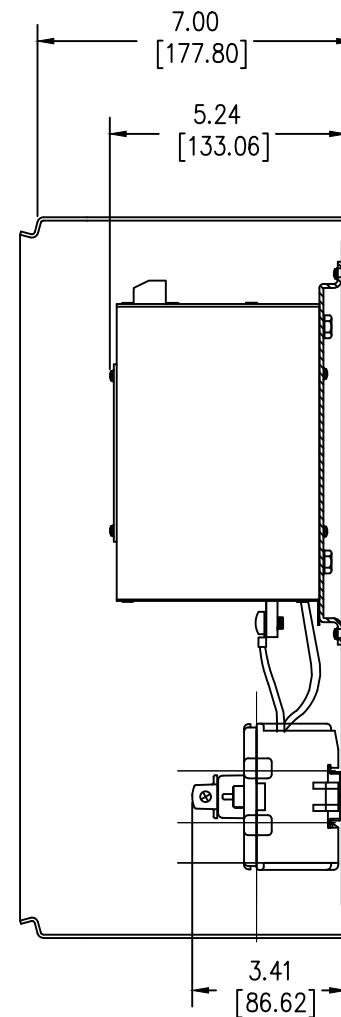
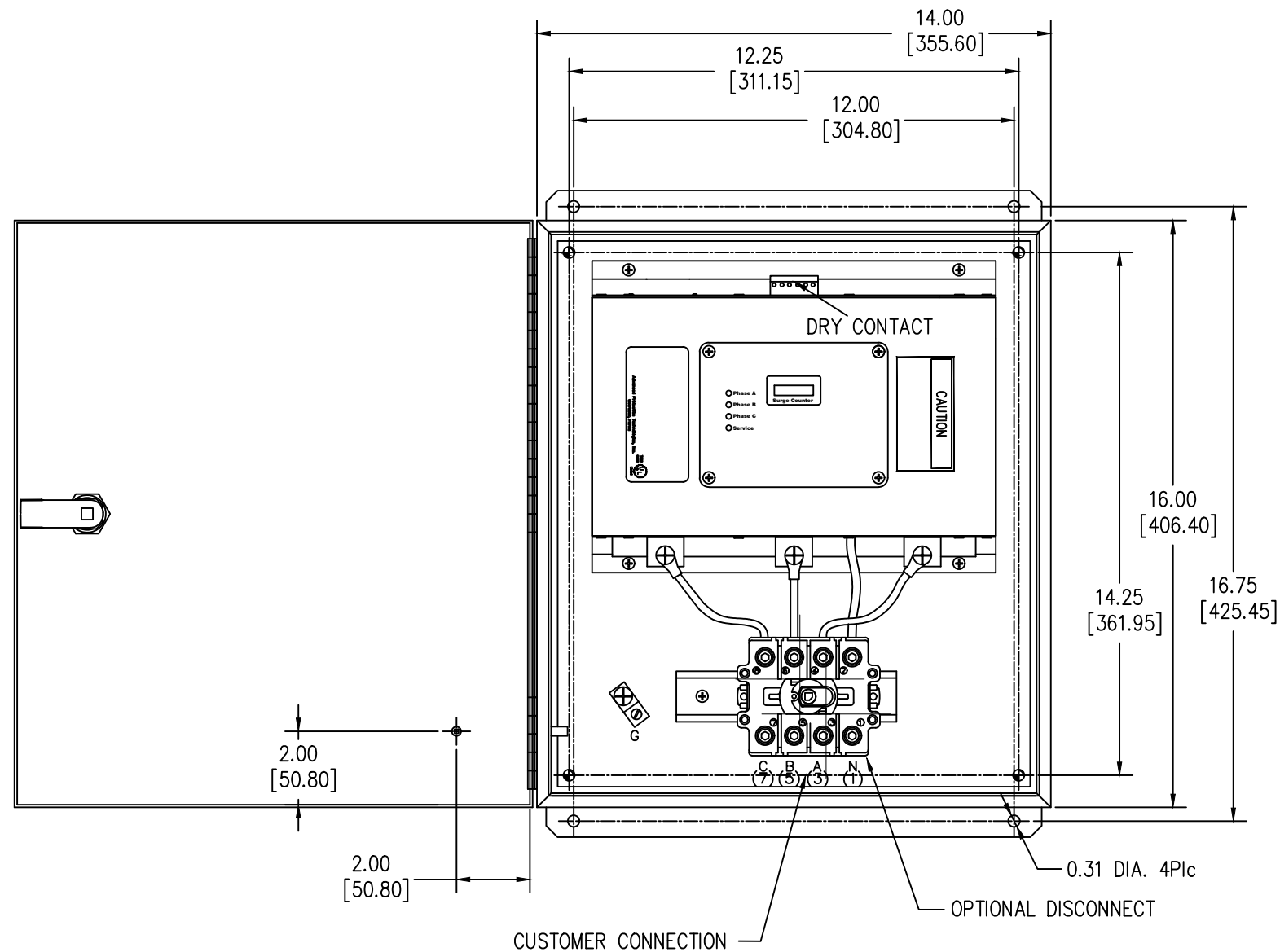


SURGE PROTECTIVE DEVICE (SPD)  
WEIGHTS & DIMENSIONS  
NEMA RATING: 4S STAINLESS STEEL



ENCLOSURE SPECS.  
DESC: ENCLOSURE, HINGED  
DIM: 16"H x 14"W x 7"D  
MAT: STAINLESS STEEL, 14 GAUGE  
FINISH: STAINLESS STEEL  
NEMA RATING: 4S  
DEVICE WEIGHT: 32.50LBS. (14.74KG.)

3-26-10	Date	Unless otherwise specified dimensions are in inches. Tolerances are non-cumulative and are as follows unless specified otherwise. .XX ± .020 .XXX ± .005 Angular ± 2° Do not scale drawing		Confidential - Property of <b>Siemens Industry, Inc.</b> Building Technologies Division
	C.N.	DRAWN H. DRIGGERS 8/17/09	ENGINEER M.JG 8/17/09	
-	Rev	APPROVAL		DWG NO. SIE_DW_TPS31250DS-4S
		△ - Denotes latest changes. □ - Critical dimension.		SCALE NONE SHEET 1 of 1