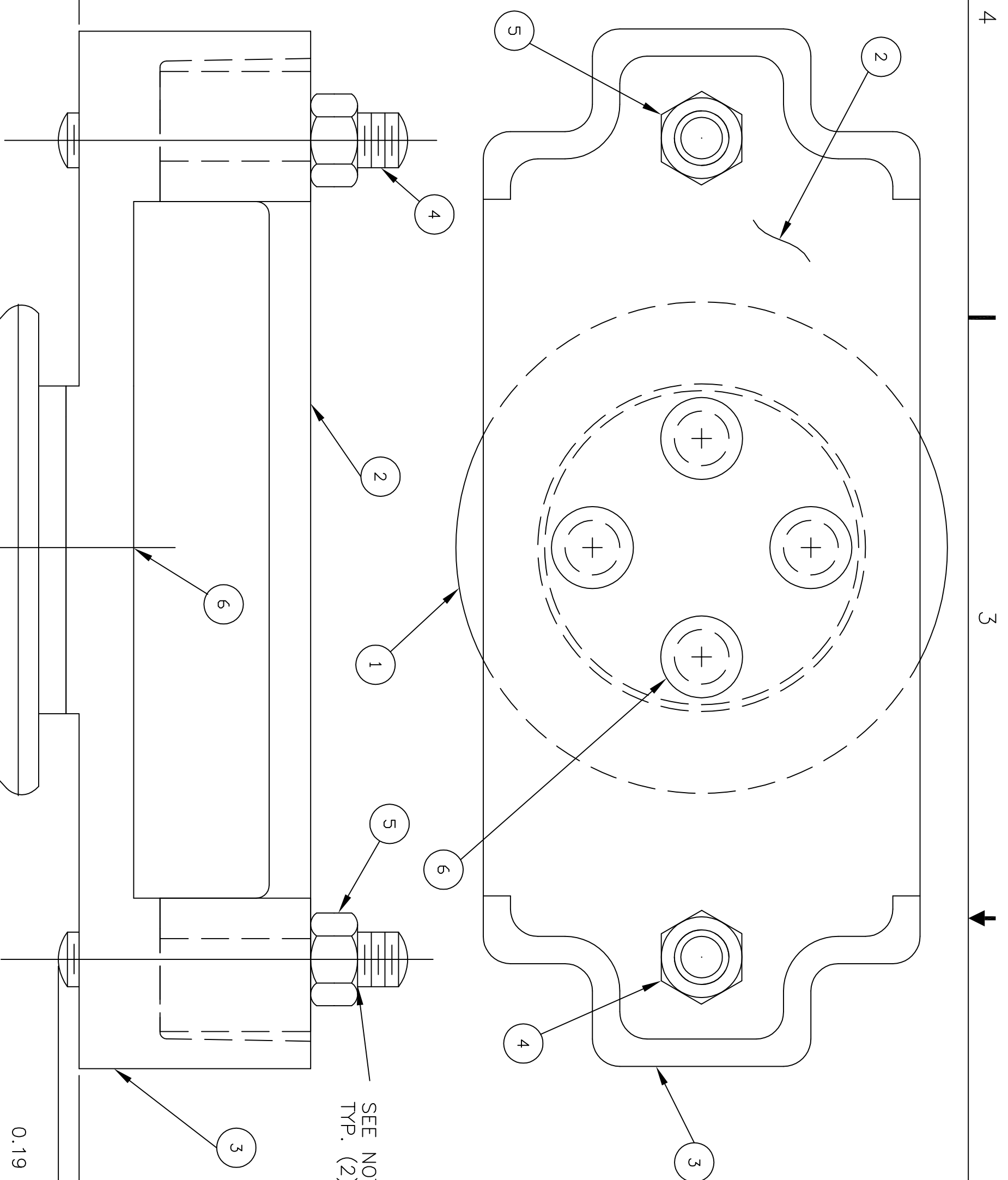
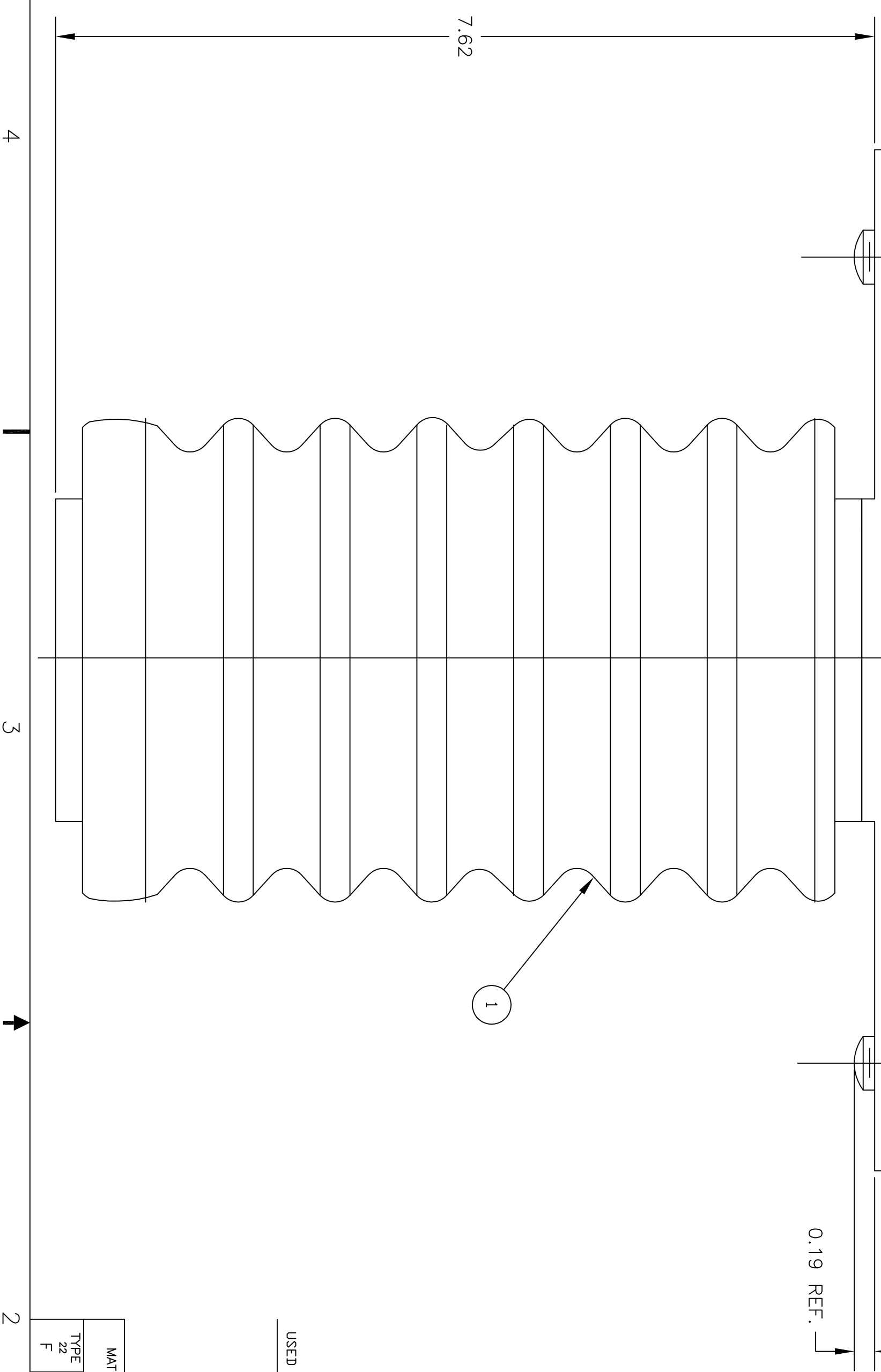


QTY	U/M	ITEM	DESCRIPTION	PART NO.	REMARKS
1	EA	001	PORCELAIN INSULATOR	00-871-283-012	
1	EA	002	INSUL. SUPP. CAP	18-804-222-003	
1	EA	003	INSUL. SUPP. BASE	18-804-222-002	
2	EA	004	0.5-13 UNC THREADED STUD	15-171-814-011	
2	EA	005	0.5-13 UNC NUT	15-171-815-003	
4	EA	006	SCREW .38-16 X 1.0	00-615-095-466	



- NOTES:
1. APPLY LOCTITE PRIMER GRADE T(15-333-281-005) & LOCTITE STUD LOCK RESIN(15-333-281-002) AS DETAILED IN LOCTITE PROCESS SPEC. (18-657-775-432).
 2. AFTER ASSEMBLY WITH BUS IN SWITCHGEAR UNIT APPLY LOCTITE PRIMER(15-333-281-005) AND LOCTITE SCREW LOCK RESIN(15-333-281-003) AS SPECIFIED PER 18-657-775-432.
 3. PART 002 MUST BE ASSEMBLED TO MOUNT FLUSH AGAINST THE BUS.



STANDARD DRAWING
DO NOT DESTROY, CHANGE OR
ADD MARK NOS W/O APPROVAL
OF DESIGN ENGINEERING.

USED DN: 18-490-223-803T

* CAD GENERATED, DO NOT CHANGE MANUALLY.

Confidential-Property of
Siemens Energy & Automation, Inc.
Electrical Apparatus Division

1-PLACE DECIMAL ± .06
2-PLACE DECIMAL ± .03
3-PLACE DECIMAL ± .01

DRAWING NUMBER 88\22107801

MACHINED SURFACE CH AP
TEXTURE 06 / 93

SIMILAR TO 18-804-222-815
DR MLP BULLETIN
06 / 93

MATERIAL

N-C CURRENT DATE PART NUMBER 9-19
2 06-24-93 18-822-107-801 01

ISS 20-21

TYPE 22 F
REP 23 M
PART NAME 24-43
INSUL SUPPT ASS'Y 38KV

N.M. 44-48 225
49-53 900

SCALE 1X

CHARACTERISTICS SHEET NO. 1 OF 1