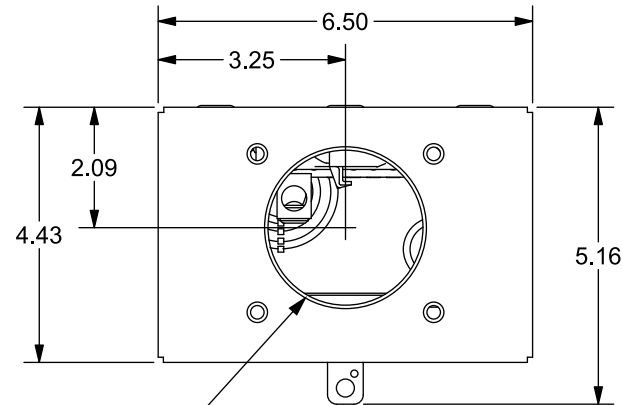


# Features and Ratings

- 125A Max, 1 Phase, 3 Wire, 120/240V ~
- Outdoor Enclosure NEMA Type 3R
- Uses Type HS Hubs
- HS Cover Plate Included
- (4) 1" Spaces, (8) Circuits Max.



## W0408ML1125



PROVISION FOR HS TYPE HUB

### ACCESSORIES

**Accessories:**  
 Filler Plate - Cat. Number ECQF3  
 2/0 Branch Neutral Terminal - Cat. No. ECLK1-2  
 Main Breaker Retainer - Cat. No. ECMBR1  
 Ground Bar, 5 Taps - Cat. No. ECGB5  
 Ground Bar, 10 Taps - Cat. No. ECGB10

CONDUIT HUBS	
TRADE SIZE	CAT. NO.
3/4 INCH	ECHS075
1 INCH	ECHS100
1-1/4 INCH	ECHS125
1-1/2 INCH	ECHS150
2 INCH	ECHS200
2-1/2 INCH	ECHS250

### TERMINAL WIRE SIZES AND TORQUES

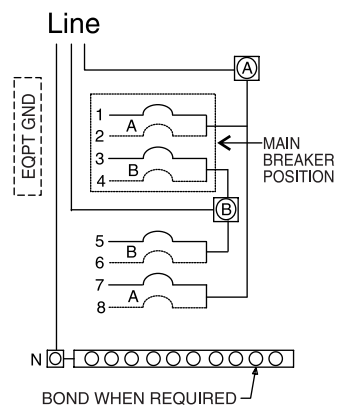
**Line Terminals A, B & N**  
 Suitable for 60°/75°C Conductors.  
 Wire Size: Copper #14-2/0 AWG.  
 Aluminum #12-2/0 AWG.  
 Torque Terminals to 45 Lb.-Ins.

**Load Terminals**  
 See markings on breaker for torque requirements and conductor rating.

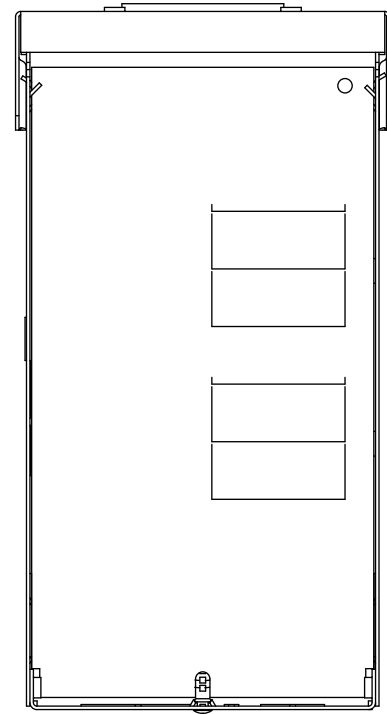
**Ground Bar Wire Size**  
 Copper: One #14-#4 AWG or Two or Three #14-#10 AWG.  
 Aluminum: One #12-#4 AWG or Two or Three #12-#10 AWG.

Neutral Bar Wire Size	Torque
14-10 AWG CU	20 Lb.-Ins.
12-10 AWG AL	20 Lb.-Ins.
8 AWG CU/AL	25 Lb.-Ins.
6 AWG CU/AL	35 Lb.-Ins.
4 AWG CU/AL	45 Lb.-Ins.

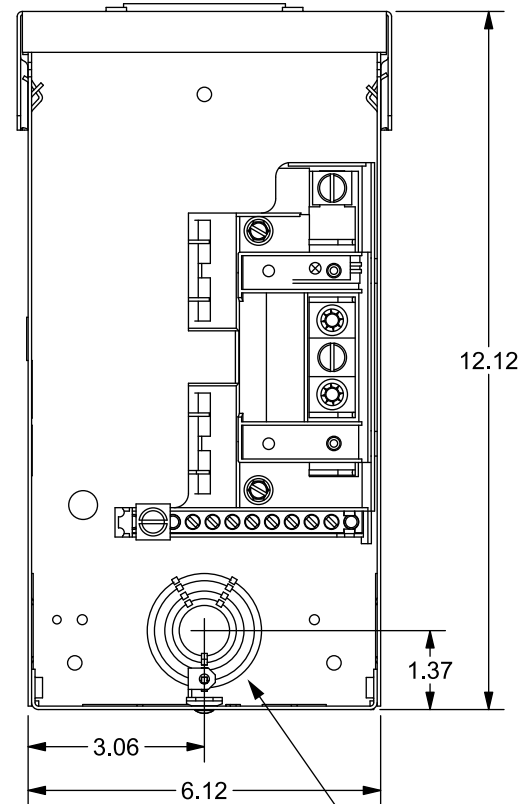
### SCHEMATIC



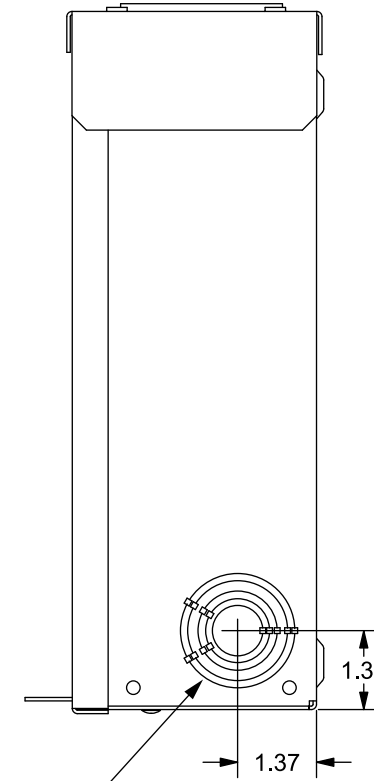
View Shown with Door Removed



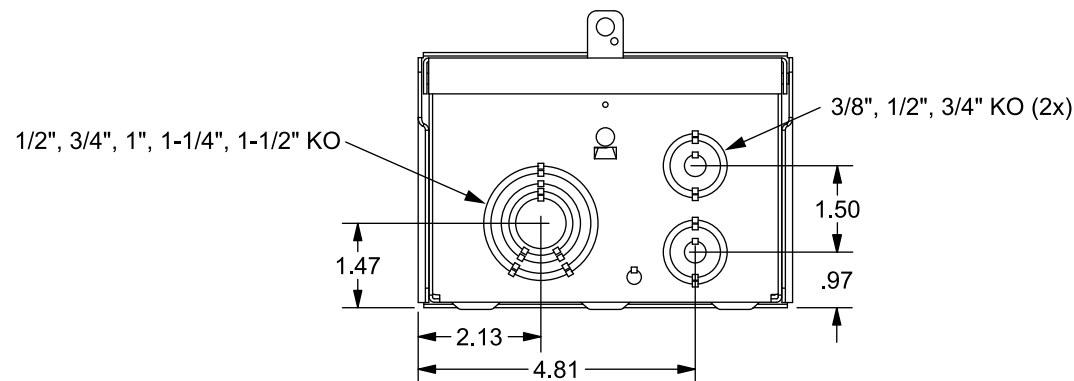
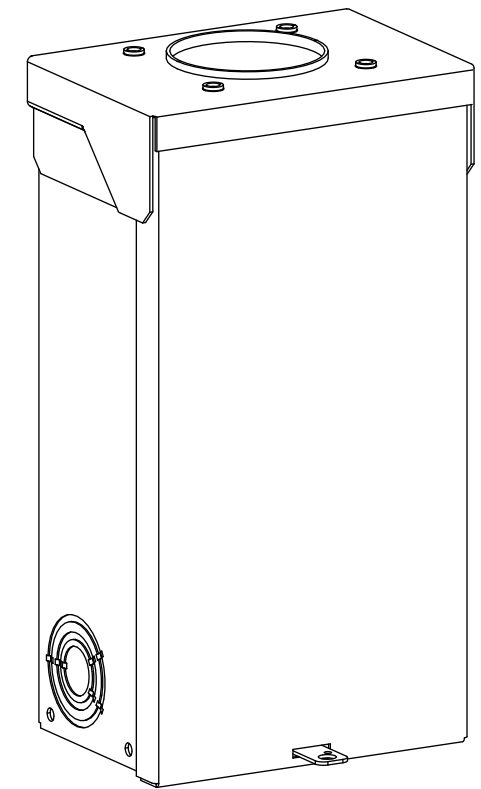
View Shown with Door and Deadfront Removed



1/2", 3/4", 1", 1-1/4", 1-1/2" KO



1/2", 3/4", 1", 1-1/4", 1-1/2" KO (BOTH SIDES)



1/2", 3/4", 1", 1-1/4", 1-1/2" KO

3/8", 1/2", 3/4" KO (2x)

© 2018 Copyright Siemens Industry, Inc.

**SIEMENS**  
 Siemens Industry, Inc.

### Outdoor Load Center

Description: **1 Ph, 125A, Main Lug, 4 Space, 8 Circuits Max, Outdoor**

KAM 4/13/18 DO NOT SCALE DRAWING Dwg No: **W0408ML1125**