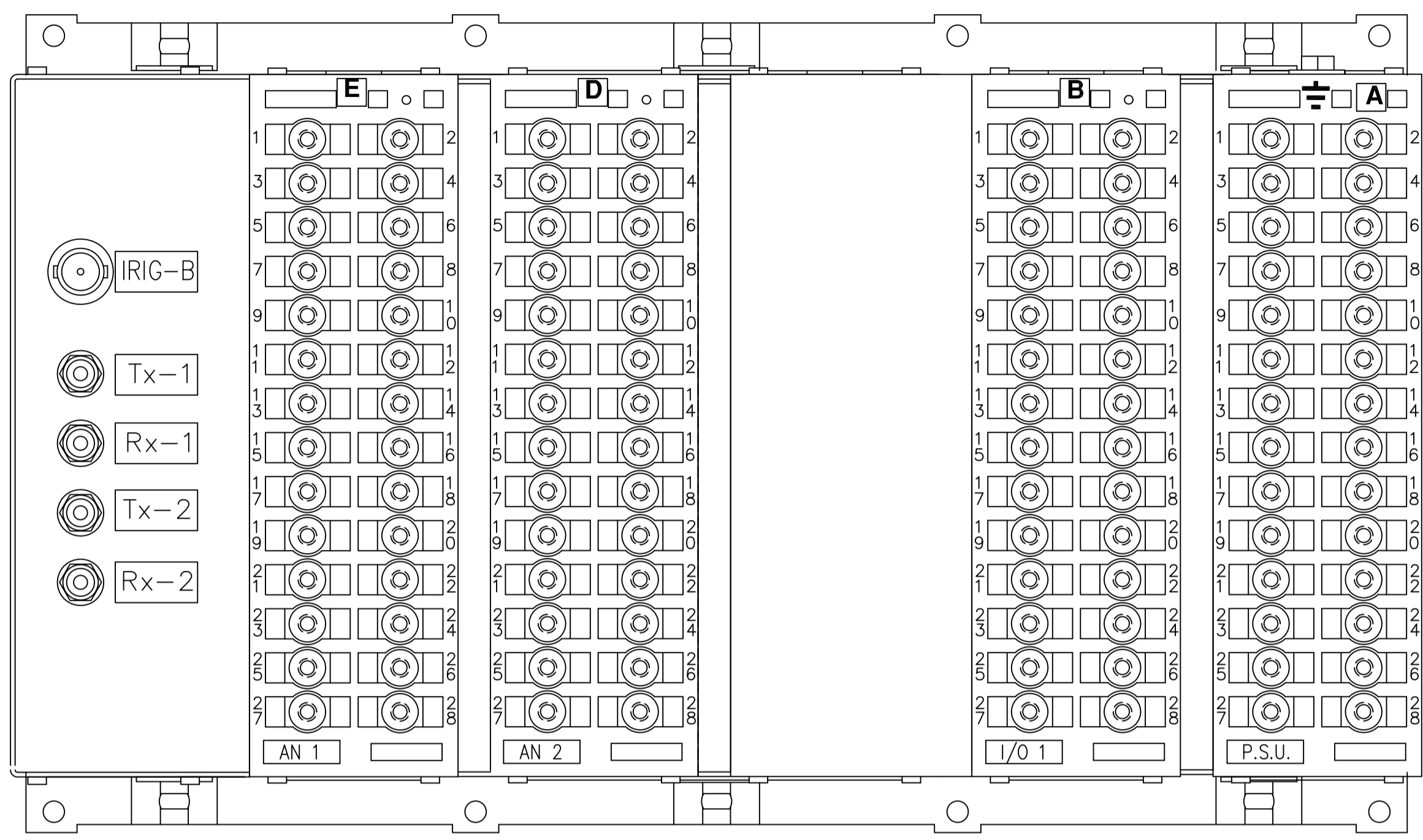
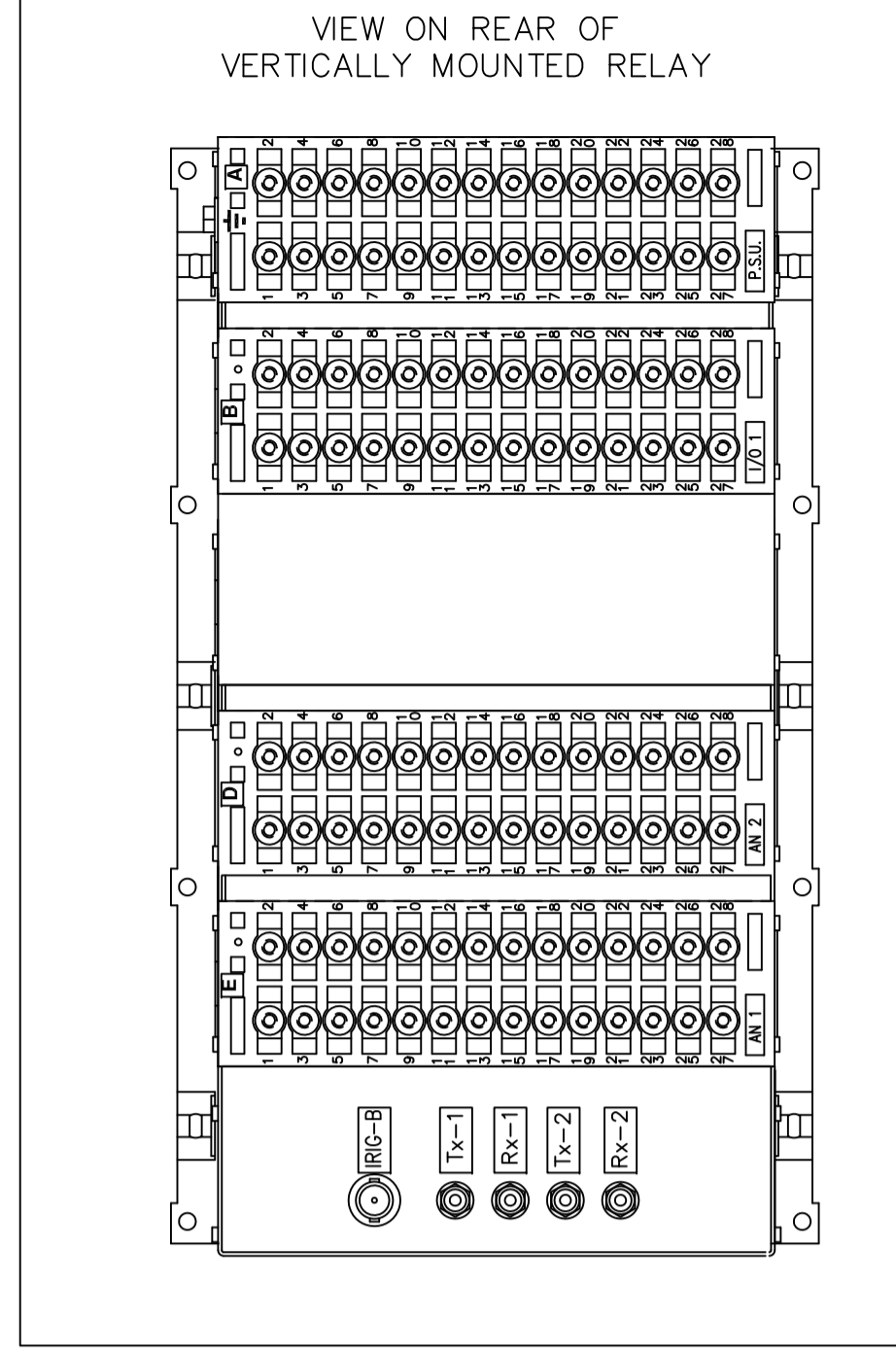


IF IN DOUBT ASK
DO NOT SCALE



RELAY VIEWED FROM REAR



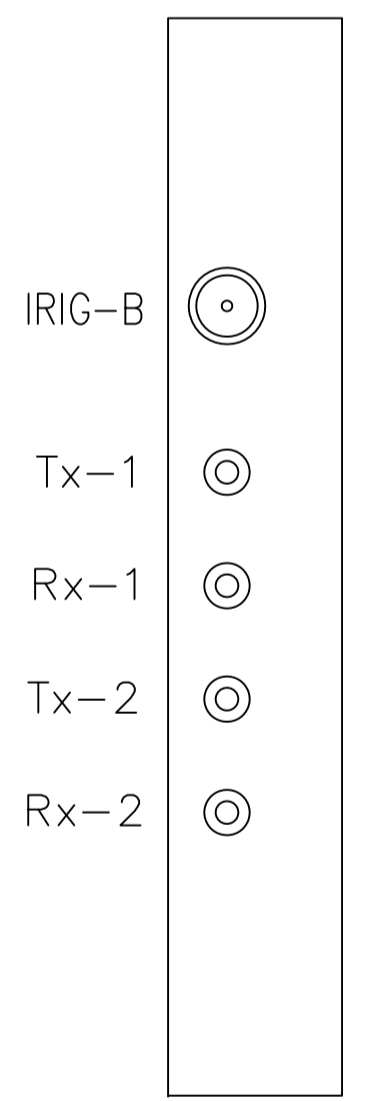
NOTES

1 TERMINALS RECOMMENDED ARE PRE INSULATED & MUST BE CRIMPED USING APPROVED TOOLING. AMP PIDG OR PLASTI GRIP FUNNEL ENTRY (RING TONGUE) FOR M4 FIXING STUD.

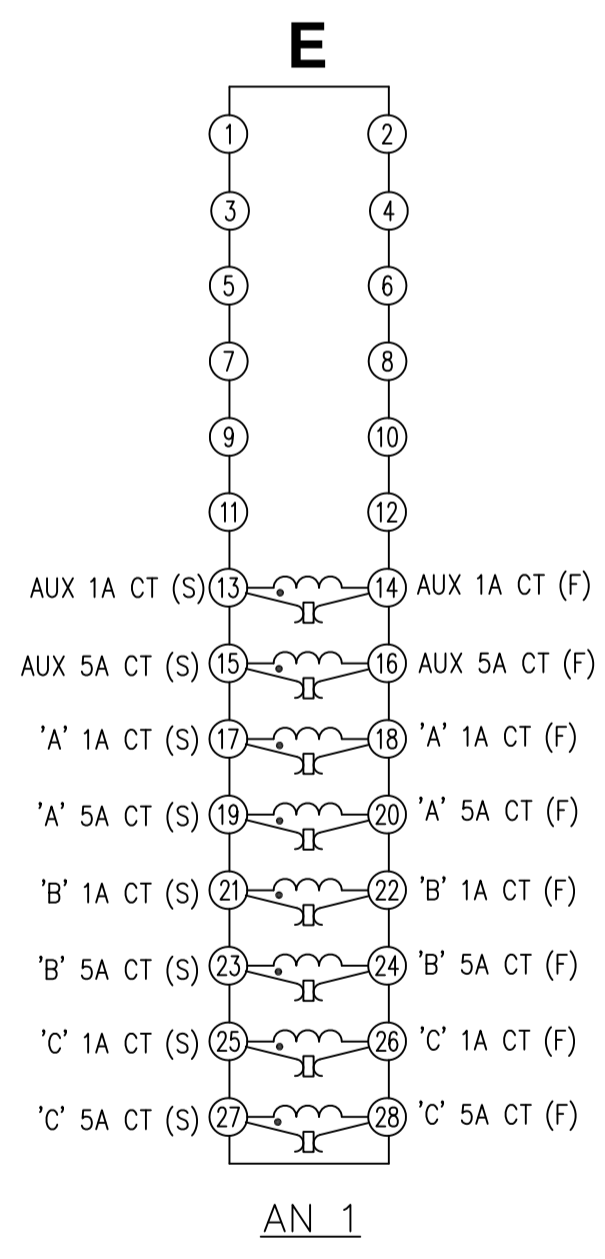
SUPPLIER	AMP	CABLE SIZE
AMP	342103	0.25-1.6 SQ MM
AMP	342143	1.0-2.6 SQ MM.

OR ANY OTHER MANUFACTURERS EQUIVALENT TERMINAL.

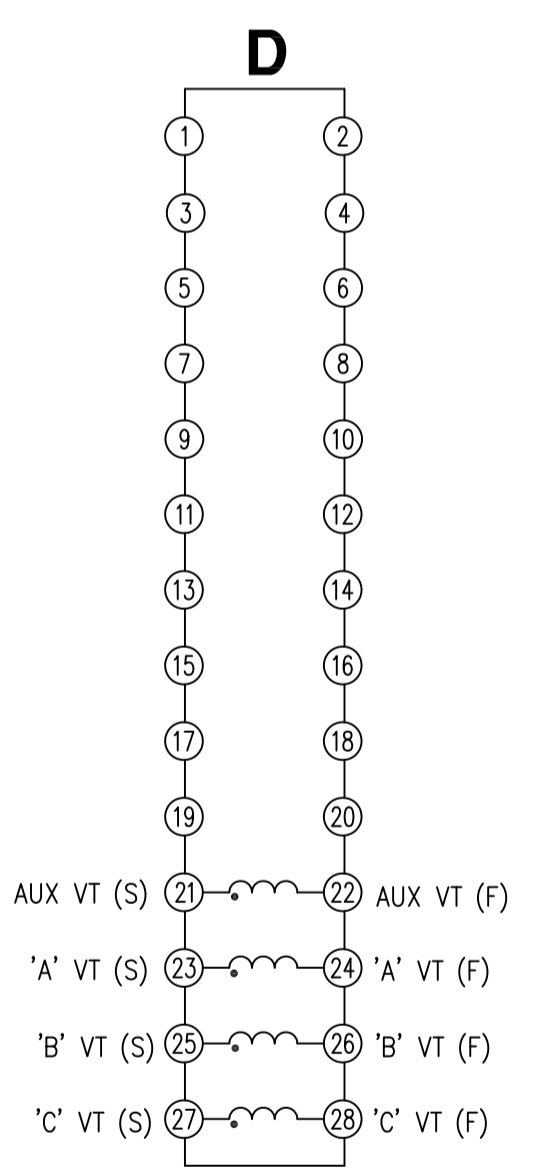
2 FOR OUTLINE & DRILLING DRG SEE 2995X10012 (A4).
3 IRIG-B & FIBRE OPTIC CONNECTORS MUST BE DISCONNECTED & FIXING NUTS REMOVED BEFORE WITHDRAWING CONTROLLER MODULE.



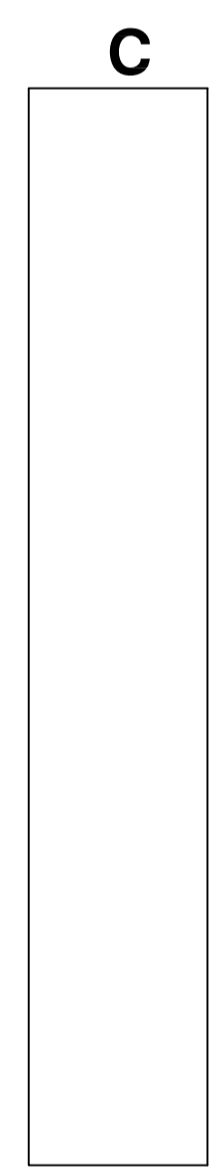
Controller Module
(SEE NOTE 3)



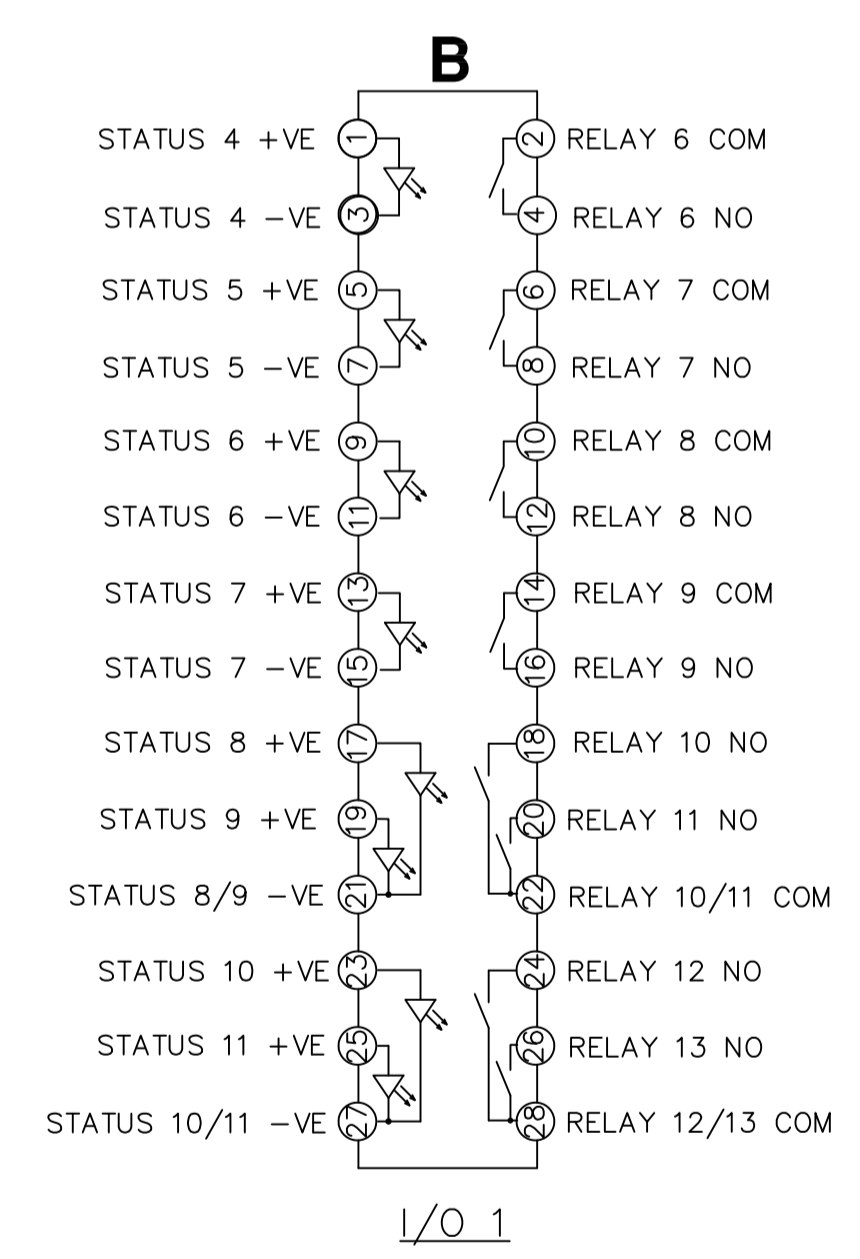
AN 1



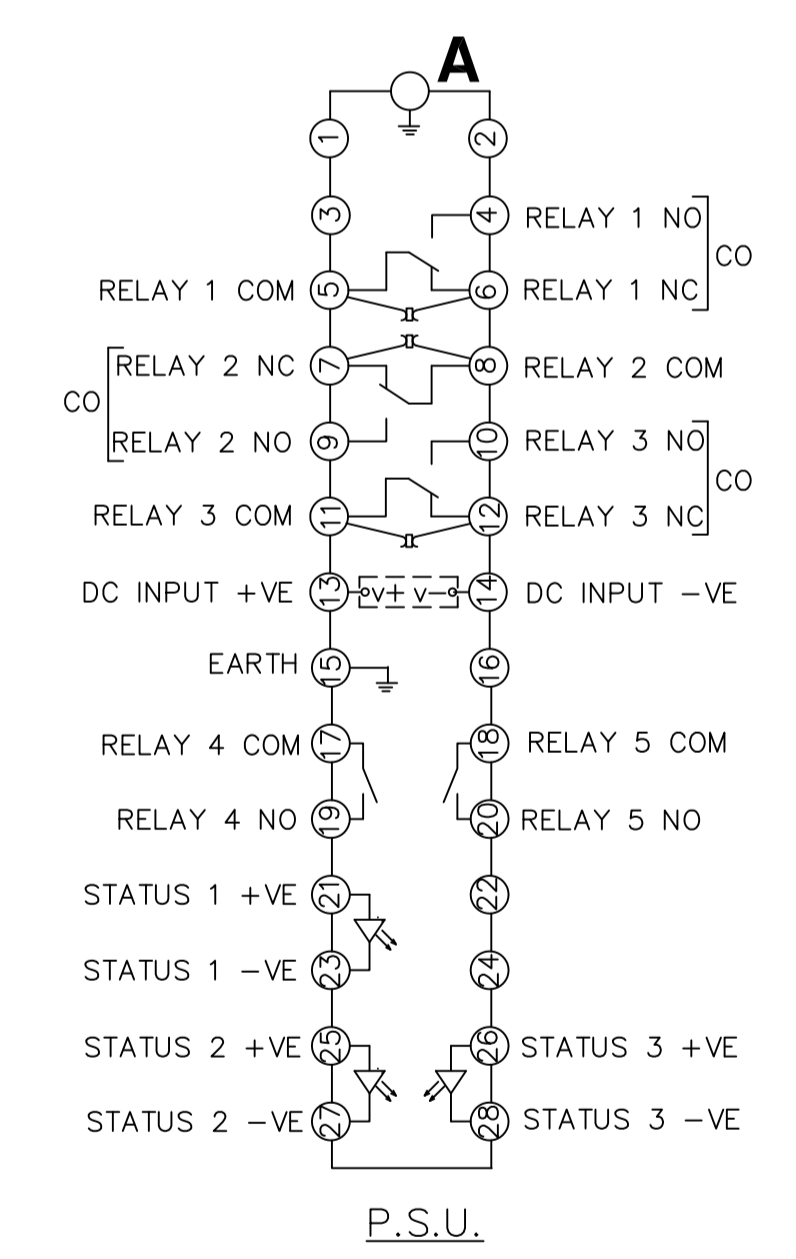
AN 2



BLANK



I/O 1



P.S.U.

MODULE LABEL KEY

ANALOGUE MODULE	AN 1 etc
INPUT/OUTPUT MODULE	I/O 1 etc
P.S.U. & BASIC I/O MODULE	P.S.U.

ABBREVIATIONS

CT-CURRENT INPUTS
VT-VOLTAGE INPUTS
SI-STATUS INPUTS
CO-CHANGE OVER OUTPUT CONTACTS
NO-NORMALLY OPEN OUTPUT CONTACTS
NC-NORMALLY CLOSED OUTPUT CONTACTS

MATERIAL:

Dimensions in millimetres ; Surface texture in micrometres.
Machine where marked ✓
For explanation of dimensions, tolerances, notes etc. see B.S.308.
Limit on untoleranced unmachined dimensions ±
Limits on untoleranced machined dimensions to B.S.4500;
i.e. up to 6±0.1; over 30 to 120±0.3; over 315±0.8;
over 6 to 30±0.2; over 120 to 315±0.5;
General unmachined angular tolerance ±

Finish:	Title:	First used on:
Treatment:	TERMINAL ID & WIRING FOR IOTA 203 SERIES RELAY E12 CASE WITH 4CTS, 4VTs, 11BI, 3CO+10NO CONTACTS	Similar Articles:
	SIEMENS PROTECTION DEVICES LTD.	Supersedes:
	Original Scale:	Original Scale:
	NTS	2761W11039

NOT SUBJECT TO UPDATE
ONCE COPIED / PRINTED
OR DOWNLOADED

Copyright © 2007 Siemens Protection Devices Ltd. Hebburn