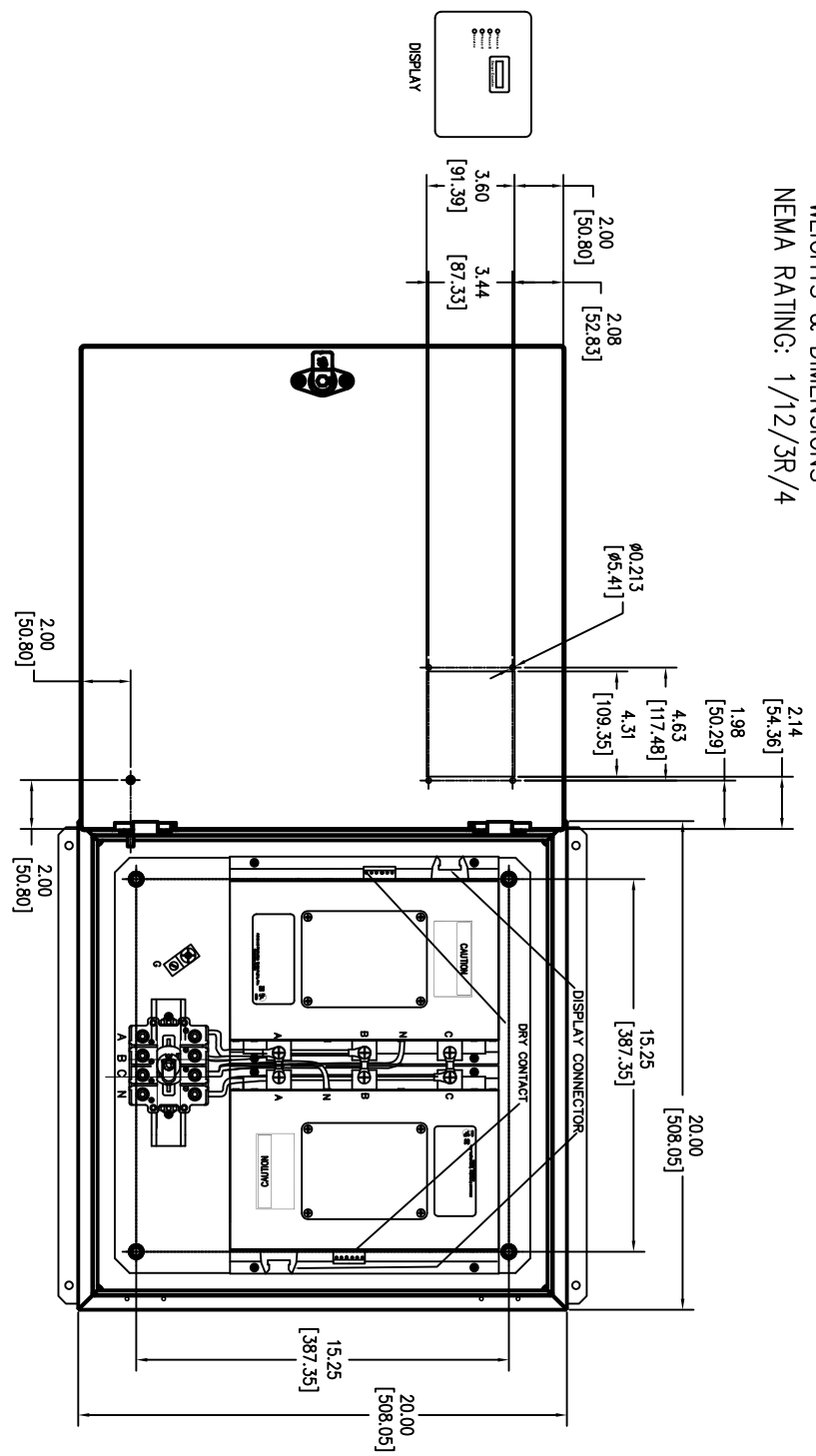


**SURGE PROTECTIVE DEVICE (SPD)  
WEIGHTS & DIMENSIONS  
NEMA RATING: 1/12/3R/4**



| Rev | C.N. | Date |
|-----|------|------|
| 1   |      |      |

- Denotes latest changes.  
 Critical dimension.

| DATE     | BY          | CHKD | APP'D | DESCRIPTION   |
|----------|-------------|------|-------|---------------|
| 04/27/20 | H. DRIGGERS |      |       | DESIGN        |
| 04/27/20 | M.G.        |      |       | MANUFACTURING |

Confidential - Property of  
 Siemens Industry, Inc.  
 Building Technologies Division

**TPS3-15 SERIES**  
 400K-1k w/ DS  
 NEMA RATING: 1/12/3R/4  
 43D-TPS3-15IKDS-123RM  
 NONE

SHEET 1 OF 1

**ENCLOSURE SPECS:**  
 DESC: ENCLOSURE, HINGED  
 DIM: 20"H x 20"W x 8"D  
 FINISH: POWDERCOAT ANSI 61 GRAY  
 MAT: CARBON STEEL, 14 GAUGE  
 NEMA RATING: 1/12/3R/4  
 DEVICE WEIGHT: 51.95LBS. (23.56KG.)