

7SG11 Argus 8

Voltage and Frequency Relays

Document Release History

This document is issue 2010/02. The list of revisions up to and including this issue is:

Pre release

2010/02	Document reformat due to rebrand

Software Revision History

--	--	--

The copyright and other intellectual property rights in this document, and in any model or article produced from it (and including any registered or unregistered design rights) are the property of Siemens Protection Devices Limited. No part of this document shall be reproduced or modified or stored in another form, in any data retrieval system, without the permission of Siemens Protection Devices Limited, nor shall any model or article be reproduced from this document unless Siemens Protection Devices Limited consent.

While the information and guidance given in this document is believed to be correct, no liability shall be accepted for any loss or damage caused by any error or omission, whether such error or omission is the result of negligence or any other cause. Any and all such liability is disclaimed.

Contents

1	Unpacking, storage and handling.....	3
2	Recommended mounting position.....	3
3	Relay dimensions.....	3
4	Fixings.....	3
4.1	Crimps.....	3
4.2	Panel Fixing Screws.....	3
4.3	Communications.....	4
5	Ancillary equipment.....	4

Table of Figures

Figure 1 - Overall dimensions of E4 case.....	5
Figure 2 - Overall dimensions of E6 case.....	6

1 Unpacking, storage and handling

On receipt, remove the relay from the container in which it was received and inspect it for obvious damage. Check that the relay is the correct model number and the rating information is correct. It is recommended that the relay is not removed from the case. To prevent the possible ingress of dirt, the sealed polythene bag should not be opened until the relay is to be used. If damage has been sustained a claim should immediately be made against the carrier and Reyrolle Protection and the nearest Reyrolle agent should be informed.

When not required for immediate use the relay should be returned to its original carton and stored in a clean, dry place. The relay contains static sensitive devices, which are susceptible to damage due to static discharge and for this reason it is essential that the correct handling procedure is followed. The relays' electronic circuits are protected from damage by static discharge when it is housed in its case. When it has been withdrawn from the case, static handling procedures should be observed.

- Before removing the relay from its case the operator must first ensure that he is at the same potential as the relay by touching the case.
- The relay must not be handled by any of the relay terminals on the rear of the chassis.
- Relays must be packed for transport in an anti-static container.
- Ensure that anyone else handling the relays is at the same potential as the relay.

As there are no user serviceable parts in the relay, then there should be no requirement to remove any modules from the chassis. If any modules have been removed or tampered with, then the guarantee will be invalidated. Reyrolle Protection reserves the right to charge for any subsequent repairs.

2 Recommended mounting position

The relay uses a liquid crystal display (LCD) which displays setting and metering information. It has a viewing angle of $\pm 70^\circ$ and an internal back light. The recommended viewing position is at eye level.

The relay should be mounted onto the circuit breaker or panel at a level which allows the user easiest access to the relay functions.

3 Relay dimensions

The relay is supplied in either the Epsilon size E4 case or E6 case. Mechanical diagrams of the case dimensions and panel cut-out requirements are shown in Figures 1 and 2 respectively.

4 Fixings

4.1 Crimps

Amp Pidg or Plasti Grip Funnel entry ring tongue

Size	AMP Ref	Reyrolle Ref
0.25-1.6mm ²	342103	2109E11602
1.0-2.6mm ²	151758	2109E11264

4.2 Panel Fixing Screws

Kit – 2995G10046 comprising :

- Screw M4 X10TT 2106F14010 – 4 off
- Lock Washers 2104F70040 – 4 off
- Nut M4 2103F11040 – 4 off

4.3 Communications

9mm SMA fibre optic connections – 2 per relay.

(Refer to Section 4 of this manual – Communications Interface).

5 Ancillary equipment

The relay can be interrogated locally or remotely by making connection to the fibre optic terminals on the rear of the relay. For local interrogation a portable PC with a fibre to RS232 modem (Sigma 4) is required. The PC must be capable of running Microsoft Windows Ver 3.1 or greater, and it must have a standard RS232 port in order to drive the modem. For remote communications more specialised equipment is required. Refer to Section 4 of this manual – Communications Interface.

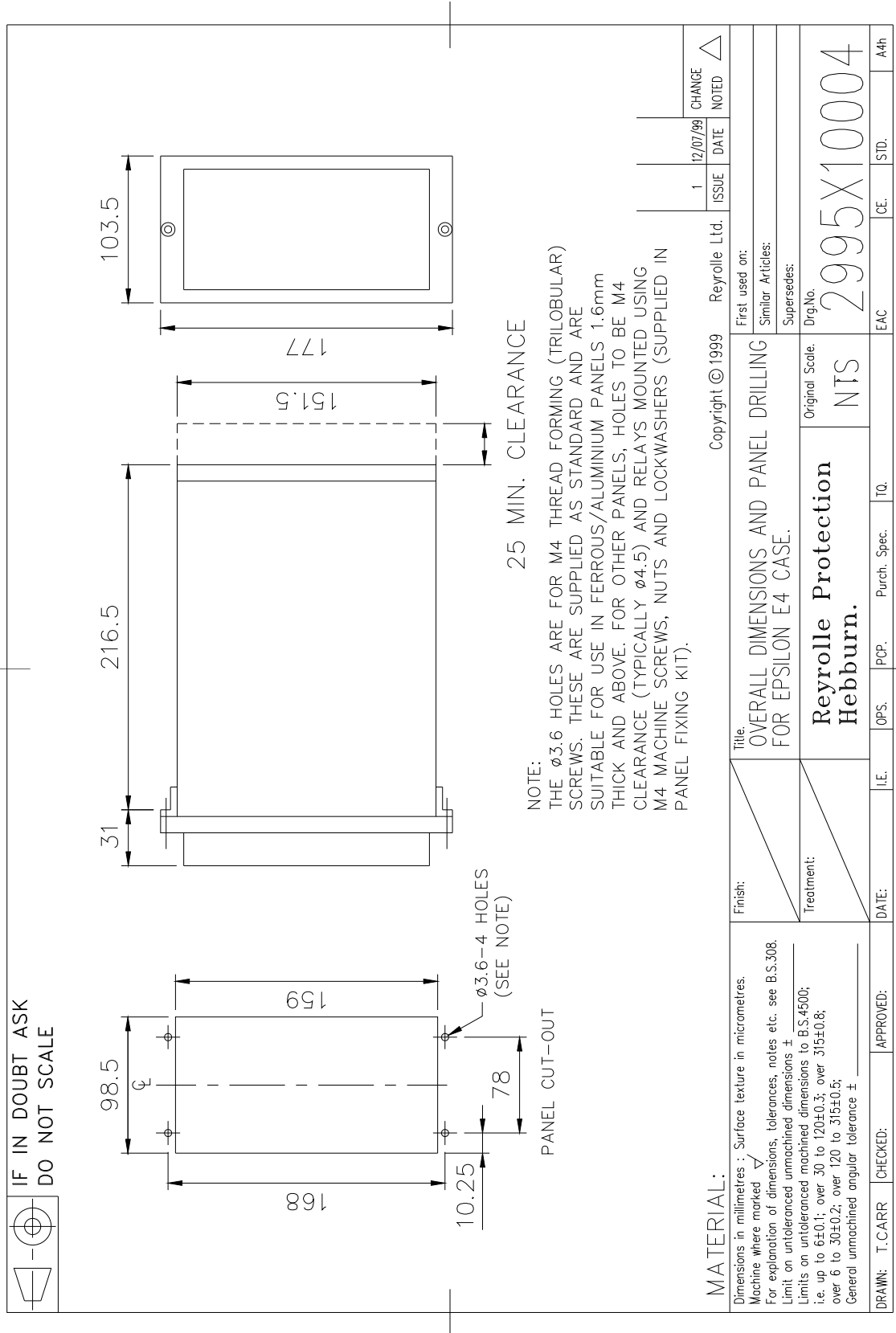


Figure 1 - Overall dimensions of E4 case

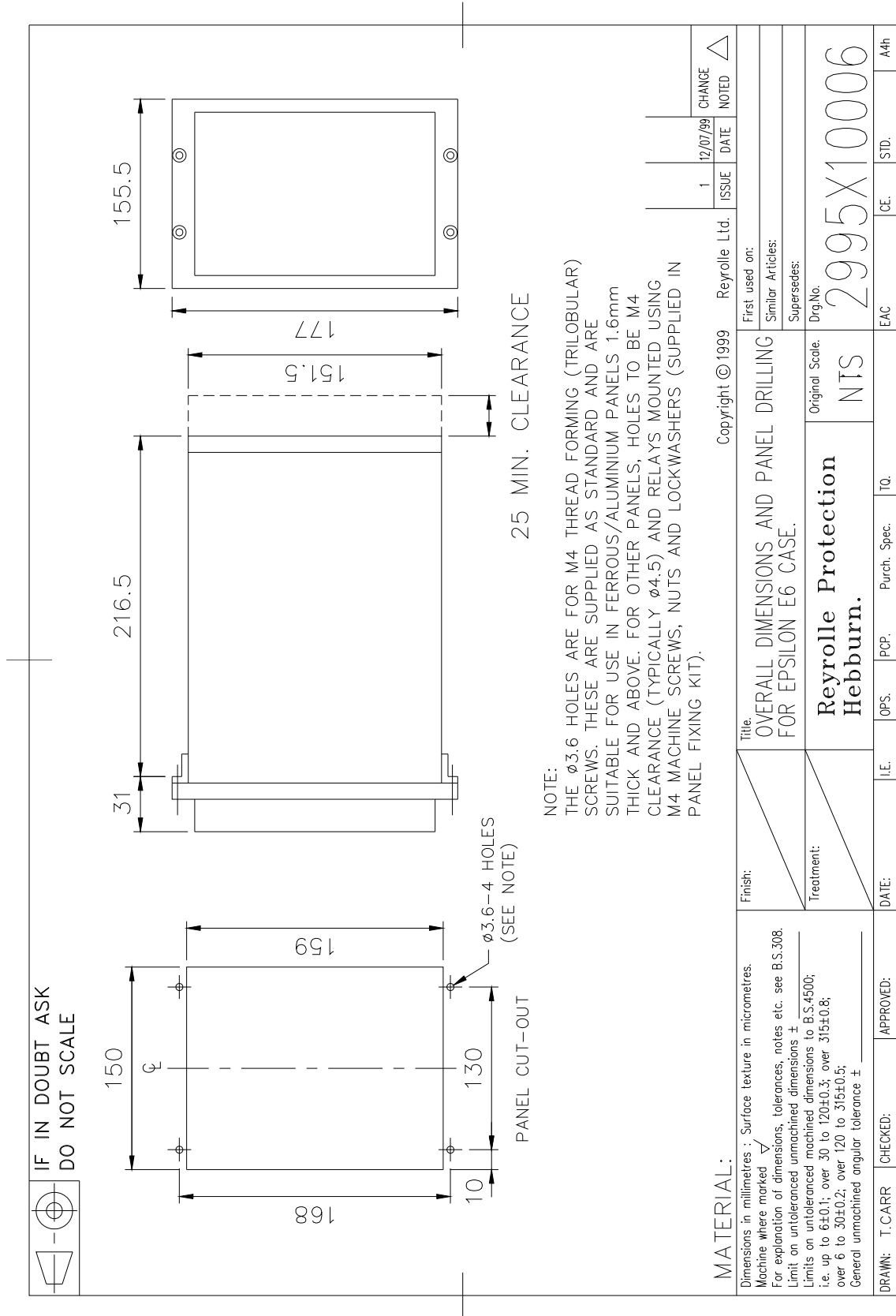


Figure 2 - Overall dimensions of E6 case