

TALON

Rainproof Combination Metering

Catalog Number
MC2442F3200CEY

Enclosure
Type 3R

WARNING: CIRCUIT MAY BE LIVE WITH METER REMOVED.

DEVICE RATING: 200 AMPS MAXIMUM
240/120 V~, 3 PHASE, 4 WIRE, DELTA
208Y/120 V~, 3 PHASE, 4 WIRE

METER SOCKET RATING: 200 AMPS CONTINUOUS.

WHEN USED ON A 240/120 VAC, 3 PHASE, 4 WIRE DELTA SYSTEM, CONNECT THE HIGH LEG TO THE RIGHT HAND TEST BLOCK. THE RIGHT SIDE PANEL BUS WILL THEN HAVE THE HIGHEST VOLTAGE TO GROUND.* ALL BREAKERS CONNECTED TO THIS BUS MUST BE RATED 240 VAC. 120 VAC AND 120/240 VAC RATED BREAKERS MAY ONLY BE CONNECTED TO LEFT SIDE AND CENTER BUSES.

FOR INSTALLATION BY A QUALIFIED PERSON IN ACCORDANCE WITH ALL LOCAL ELECTRICAL CODES AND/OR THE NATIONAL ELECTRICAL CODE.®

SUITABLE ONLY FOR USE AS SERVICE EQUIPMENT.

FOR OVERHEAD AND UNDERGROUND SERVICE.

THIS DEVICE HAS A MAXIMUM SHORT CIRCUIT CURRENT RATING OF 100,000 RMS SYMMETRICAL AMPERES AT 240 VAC MAXIMUM. (WATT/ HOUR METER NOT INCLUDED IN THE SHORT CIRCUIT CURRENT RATING). ANY CIRCUIT BREAKER INSTALLED, REPLACED OR ADDED IN THIS PANELBOARD MUST BE MANUFACTURED BY SIEMENS AND MUST BE OF THE CORRECT TYPE AS INDICATED IN THE TABULATION BELOW.

MAX SHORT CIRCUIT CURRENT RATING IN RMS SYMMETRICAL AMPERES	WHEN THE INSTALLED SERVICE DISCONNECT IS:	AND THE FIELD INSTALLED BRANCH CIRCUIT BREAKER TYPES ARE:
100,000	200A MAX 300 V~ CLASS T FUSE	Murray MP-T, MP-HT, MP-MT, MH-T, MP-GT, MP-HGT, MP-ET, MP-HET, MP-AT, MP-HAT, MD-TR, MD-HTR, MD-MTR Siemens QP, QPH, HQP, QT, QPF, QPHF, QE, QEH, QAF, QAFH, QNR, QNRH or HQNR

THE SUM OF BREAKER RATINGS CONNECTED TO ANY ONE STAB IS LIMITED 170 AMPS MAXIMUM.

TERMINALS SUITABLE FOR USE WITH 60/75°C, **AL/CU** INSULATED WIRE.

SIZE WIRE ONLY TO 60°C OR 75°C AMPACITY LIMITS AND IN ACCORDANCE WITH BREAKER MARKINGS AND WIRE BENDING SPACE REQUIREMENTS.

FOR BREAKERS WITH TRIPPED POSITION IN CENTER, RESET BREAKER BY MOVING HANDLE TO "OFF" AND THEN TO "ON".

WARNING: THIS EQUIPMENT HAS BEEN DESIGNED FOR USE ONLY WITH CIRCUIT BREAKERS LISTED ABOVE. USE OF OTHER CIRCUIT BREAKERS IN THIS EQUIPMENT COULD RESULT IN PERSONAL INJURY OR PROPERTY DAMAGE AND WILL VOID THE WARRANTY.

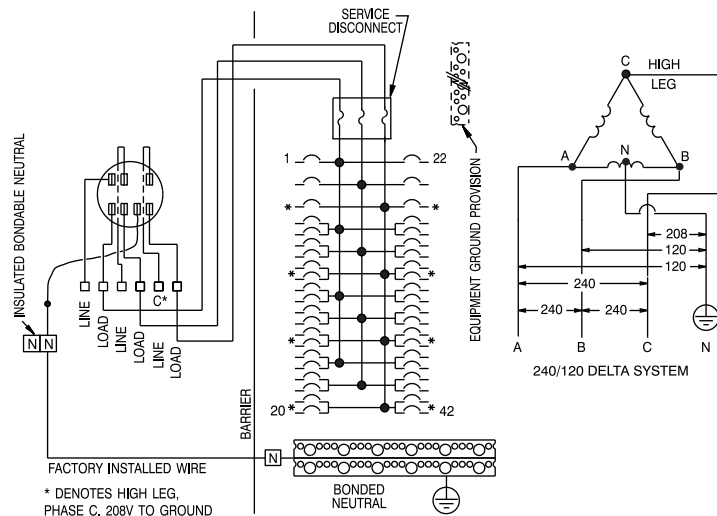
IMPORTANT: DO NOT ALLOW PETROLEUM BASED (HYDROCARBON) SPRAYS, CHEMICALS, SOLVENTS OR ANY PAINT TO CONTACT INTERIOR COMPONENTS. PETROLEUM BASED CHEMICALS CAN CAUSE DEGRADATION OF ELECTRICAL INSULATING MATERIALS.

Siemens Industry, Inc. Norcross, Georgia U.S.A. **D** 40900578 0101 Rev.A

® The National Electrical Code is a registered trademark of the National Fire Protection Association.
© 2012 Copyright Siemens Industry, Inc.

TALON

Rainproof Combination Metering



TERMINAL	WIRE SIZE	TORQUE
LINE / LOAD	250 kcmil-#2/0 AWG	250 lb-in
N	300 kcmil-#2/0 AWG	250 lb-in
NEUTRAL AND EQPT GROUND BARS		
SMALL TERMINALS	#6 AWG	35 lb-in
	#8 AWG	25 lb-in
	#10-#14 AWG *(2) #12-14 CU *(2) #12 AL	20 lb-in
LARGE TERMINALS	1/0-#6 AWG	45 lb-in
	#8 AWG	40 lb-in
	#10-#14 AWG *(2 or 3) #10-14 CU *(2 or 3) #10-12 AL	35 lb-in
Test Block Contact Nut (5/8" across flats)		50 lb-in
See breaker markings for wire size and torque requirements		

ACCESSORIES

1" FILLER PLATE: ECQF3
MD/QN FILLER PLATE: LX400FP
EQUIP GND BARS: ECLX SERIES

HC TYPE HUBS

TRADE SIZE	CAT. NO.
2 INCH	ECHC200
2-1/2 INCH	ECHC250
3 INCH	ECHC300

RX TYPE HUBS USE WITH HCRXA ADAPTER

TRADE SIZE	CAT. NO.
1-1/2 INCH	EC38598
2 INCH	EC38599
2-1/2 INCH	EC38600

UNUSED NEUTRAL BAR TERMINALS MAY BE USED AS EQUIPMENT GROUNDING WIRE TERMINALS.

**APPLIES TO EQUIPMENT GROUND CONDUCTORS ONLY.

Siemens Industry, Inc. Norcross, Georgia U.S.A. **D** 40900578 0201 Rev.A

© 2012 Copyright Siemens Industry, Inc.