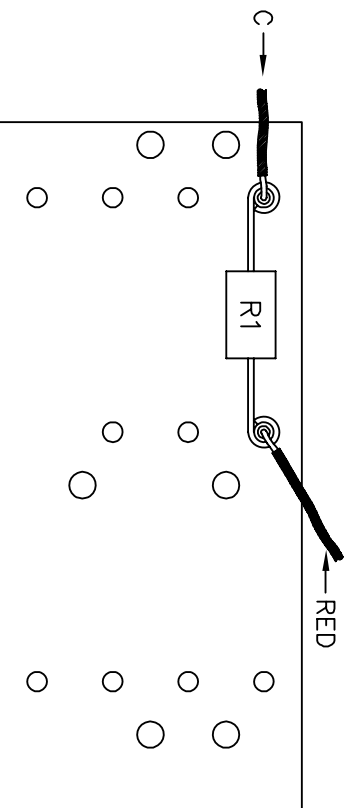


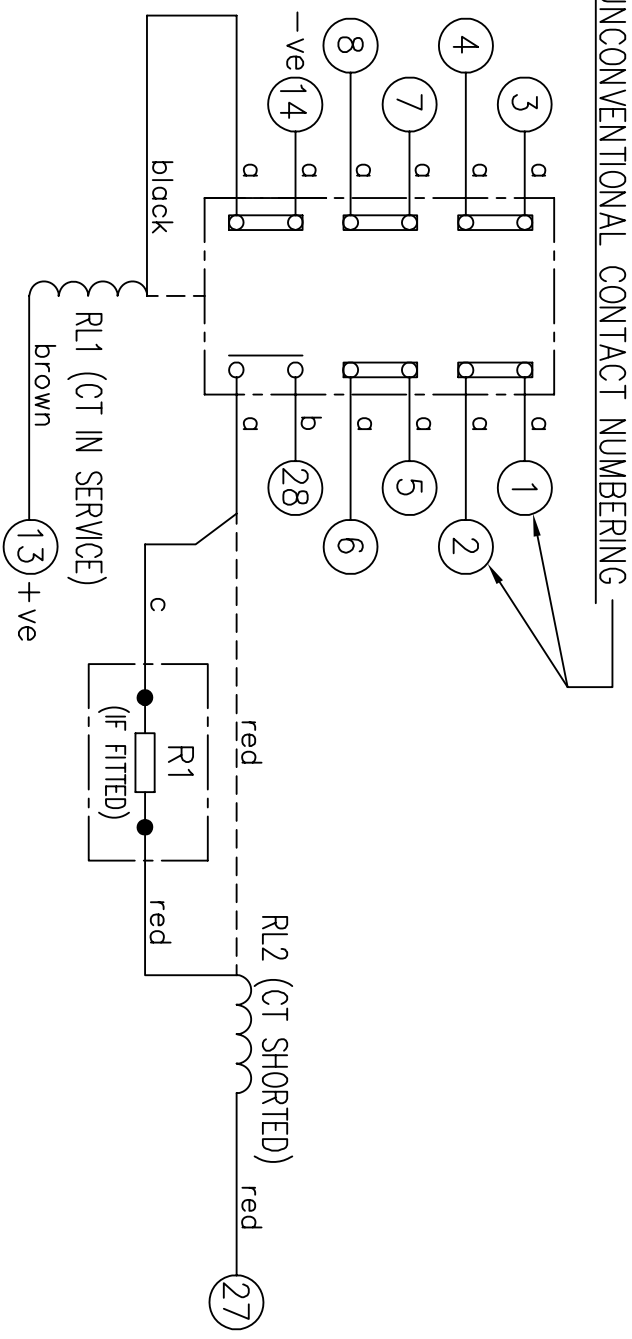
IF IN DOUBT ASK
DO NOT SCALE

RESISTOR ASSEMBLY AND WIRE INDICATION.



30V RESISTOR BOARD, ARTICLE NO. 2112G11502
50V RESISTOR BOARD, ARTICLE NO. 2112G11545
125V RESISTOR BOARD, NOT REQUIRED
240V RESISTOR BOARD, ARTICLE NO. 2112G11505

LOOKING ON FRONT OF RELAY
CONTACTS SHOWN IN UNOPERATED CT SHORTED CONDITION



NOTE:
1. CONTACT CONFIGURATION ABOVE IS REQUIRED FOR RELAY OPERATION.
2. DASHED LINE - - - - SHOWS CONNECTIONS WHEN RESISTORS ARE NOT FITTED.

ASSEMBLY WIRES USED	240	2102C15471 - 470R	2112G20029	SOLKIT: 36V
a 2107B10002 10 OFF	125	NOT REQUIRED	2112G20026	SOLKIT: 36V
b 2107B10003 1 OFF	50	2102C25180 - 18R	2112G20022	SOLKIT: 6V
c 2107D10159 1 OFF (NOT ON 125V)	30	2102C15687 - 6R8	2112G20020	SOLKIT: 6V
			R1	SOLENOID - RL2

KEY	FRAME REFERENCE: E2FAQM.	OUTER TERMINAL BLOCK ASSY: -
o o make contact	FRAME TERMINAL BLOCK ASSY: -	ASSEMBLY INSTRUCTIONS: -
o o break contact	ASSEMBLY INSTRUCTIONS: -	TYPICAL ASSEMBLY DRAWING 2995G10029.
o o c/o contact	AT INDICATED POSITIONS FIT AS FOLLOWS:	AT INDICATED POSITIONS FIT AS FOLLOWS:
② ext. conn	T - FIT TRIP ISOLATION CONTACT 2995B10053	S - FIT STANDARD CONTACT 2995B10051
⌋⌋ plug bridge	S - FIT STANDARD CONTACT 2995B10054	HC - FIT 'HEAVY CURRENT' KIT 2995G10030
⌋⌋ - shorting	SECURE CONTACTS USING FIXING SCREW 2109F99009.	WHERE - o-o - IS SHOWN FIT CT SHORTING KIT 2995G10031
⊖ metering point	POSITIONS SHOWN BLANK ARE UNUSED	POSITIONS SHOWN BLANK ARE UNUSED.
⊖ 5kv barrier		ALL POSITIONS FIT SCREW 2106F12506.
⊖ test socket		
⊖ - shorting		
⊖ plug & socket		

VIEW FROM NUMBERED SIDE OF BLOCK	VIEW FROM INSIDE CASE
2 T T T T 1	2 -O-O- 1
4 T T T 3	4 -O-O- 3
6 T T 5	6 -O-O- 5
8 T T 7	8 -O-O- 7
10 T T 9	10 -O-O- 9
12 T T 11	12 -O-O- 11
14 S S 13	14 S S 13
16 S S 15	16 S S 15
18 S S 17	18 S S 17
20 S S 19	20 S S 19
22 S S 21	22 S S 21
24 S S 23	24 S S 23
26 S S 25	26 S S 25
28 S S 27	28 S S 27

CONTACT CONFIG.	OUTPUT CONTACT PAIR	TERMINAL No.
1M 5B	B B	B B
	B B	B B
	B B	B B

ISSUE	DATE	NOTED	FRAME REFERENCE
1	13/08/12		E2FAQM WAS E2F505
2	23.01.13		MN3589-414 K.B.

**NOT SUBJECT TO UPDATE
ONCE COPIED / PRINTED
OR DOWNLOADED**

**DESTROY AFTER USE
ENSURE CORRECT REVISION
24/01/2013 PRINTED ON**

MATERIAL:

Dimensions in millimetres : Surface texture in micrometres.

Machine where marked V

For explanation of dimensions, tolerances, notes etc. see B.S.308.

Limit on untoleranced unmachined dimensions to ±

ie. up to 6±0.1; over 30 to 120±0.3; over 315±0.8;

over 6 to 30±0.2; over 120 to 315±0.5;

General unmachined angular tolerance ±

Finish:

Treatment:

Title:
T.B. AND WIRING DIAG. FOR AR901 RELAY
IN EPSILON E2 CASE

SIEMENS PROTECTION DEVICES LTD.

Original Scale.

Dwg. No.

2112W50225

Copyright © 2012 Siemens Protection Devices Ltd. Hebburn

First used on:

Similar Articles:

Supersedes:

DRAWN	K.B.	CHECKED	RD.WATSON	APPROVED	RD.WATSON	DATE	01/10/2012	IE	OPS	PCP	Purch.Spec.	TQ	EAC	CE	STD	A3
-------	------	---------	-----------	----------	-----------	------	------------	----	-----	-----	-------------	----	-----	----	-----	----