

# SIEMENS

## Rainproof Combination Metering

Catalog Number

**MC0816B1200RGA**

Series

Enclosure

**Type 3R**

### Panelboard Rating:

200 Amps Max.  
120/240 Volts V.A.C. 1 Phase, 3 Wire  
208Y/120 Volts V.A.C. 1 Phase, 3 Wire  
(Derived from 3 phase - 4 wire system)  
Meter Socket Rating:  
200 Amps Continuous

### OVERHEAD AND UNDERGROUND

### Suitable Only For Use As

### Service Equipment

### Use Copper or Aluminum Wire

Line Terminals A, B, and N  
Suitable for 60°/75° C Conductors.  
Wire Size: #4 AWG-250 kcmil.  
Torque Terminals to 250 Lb.-Ins.

Feed Thru Terminals A,B and N  
Suitable for 60°/75° C Conductors.  
Wire Size: #4 AWG-250 kcmil.  
Torque Terminals to 250 Lb.-Ins.

Neutral Bar is suitable for 60°/75° C  
Conductors.

Wire Size 4-14 AWG CU, 4-12 AWG AL.  
Wire Size Tighten Torque  
14-10CU/12-10AL AWG 20 Lb.-Ins.  
8 AWG 25 Lb.-Ins.  
6-4 AWG 35 Lb.-Ins.

All unused neutral branch terminals can  
be used as equipment grounding wire  
terminals. These terminals can be  
identified by the green or bare grounding  
wire and will accept the wire size 4-14  
AWG CU/AL.

Ground Conductors only are suitable for the  
following combinations:  
(2) or (3) 14 AWG; (2) 12-10 AWG.

For installation by a qualified person in accordance with all local electrical codes and/or the National  
Electrical Code®.

© The National Electrical Code is a registered trademark of the National Fire Protection Association.

© 2010 COPYRIGHT Siemens Industry, Inc.

Refer to Branch Breaker markings for  
wire size, rating and torque. Branch  
Breaker Terminals Suitable for 60°/75° C  
Conductors. Left side suitable for 60A  
breakers with CU wire, 50A breakers  
with AL wire, right side suitable for 150A  
breakers with CU wire and accessory  
kit ECLK2.

### Accessories:

Filler Plate Cat. No. QF3 or ECQF3  
2/0-#4 wire range lug kit: ECLK2  
5th Jaw Assembly: EC5J2  
Mechanical Breaker Interlock: ECSBPK08  
Meter Socket Jumper: ECJS  
Equipment Grounding Bars Cat. No. ECGB10  
Tighten Equipment Ground Bar Terminals to  
the torque shown in neutral bar table for the  
wire installed.

If a RXHub is required on Top End Wall, the  
catalog nos. listed below may be used on this  
enclosure.

1 1/4"	EC38597
1 1/2"	EC38598
2"	EC38599
2 1/2"	EC38600

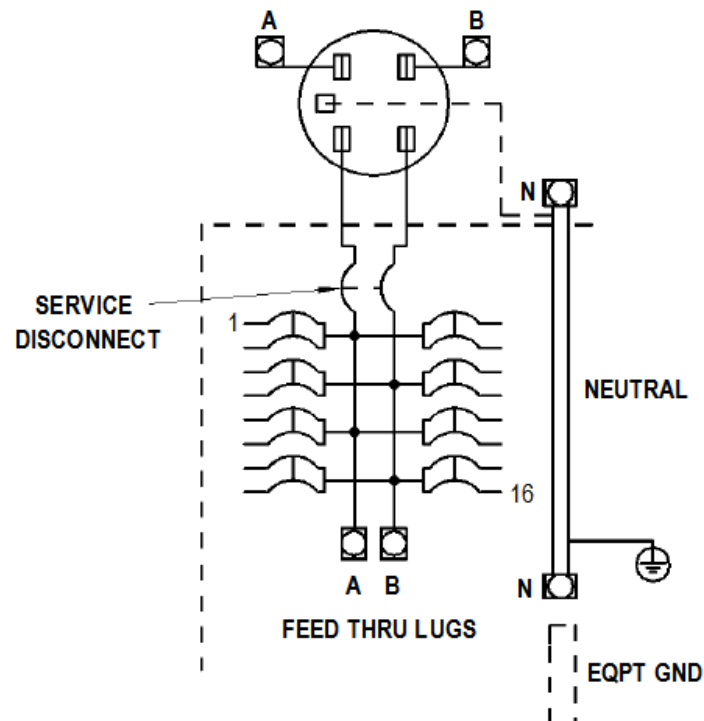
If a HC Hub is required on the bottom end wall,  
the catalog nos. listed below may be used on this  
enclosure.

2"	ECHC200
2-1/2"	ECHC250
3"	ECHC300

### General Information:

Remove twistouts from trim only where breakers  
will be installed. All openings must be filled with  
breakers or filler plates.

Circuit breaker overload trip position is indicated  
by handle position midway between ON and OFF.  
To reset, move handle to OFF position then turn  
ON.



Short Circuit Current Rating (Wattour Meter not included in short circuit current rating) This  
panelboard has a maximum short circuit rating of 22,000 RMS symmetrical amperes, 240 volts  
maximum with Siemens type EQ9685 main breaker installed. Any branch circuit breaker  
installed, replaced or added in this panelboard must be manufactured by Siemens and must be of  
the types listed below.

MAIN BREAKER	BRANCH BREAKER	THEN THE MAXIMUM SHORT CIRCUIT CURRENT RATING IN RMS SYMMETRICAL AMPERES, 120/240~ IS:
WHEN MAIN BREAKER IS:	AND THE BRANCH BREAKERS INSTALLED ARE SIEMENS TYPE:	
QPP	QP, QPH, QPHF, HQP, QT, QAF, QAFH, QPF, QN	10,000
QPPH	QP, QPH, QPHF, HQP, QT, QAF, QAFH, QPF, QN	22,000

### WARNING:

This equipment has been designed for use only with circuit breakers listed above. Use of other  
circuit breakers in this equipment could result in personal injury or property damage and will void the  
warranty.

### IMPORTANT:

Do not allow petroleum based (hydrocarbon) sprays, chemicals, solvents or any paint to contact  
interior components. Petroleum based chemicals can cause degradation of electrical insulating  
materials.

© 2010 COPYRIGHT Siemens Industry, Inc