



SIMIT UNIT

Hardware platform for real time simulation
via PROFINET and PROFIBUS

The continuously increasing pressure to deliver automation projects on time while meeting high profitability targets requires an optimized engineering workflow as well as the shortest setup and commissioning times possible.

With the SIMIT UNIT you can simulate the complete behavior of your plant in real time to improve engineering efficiency and shorten time to production.

The SIMIT UNIT is the hardware interface between SIMIT Simulation Platform and a real controller. In this configuration, called hardware-in-the-loop, the automation program is loaded in the real automation system. SIMIT used in combination with the SIMIT UNIT, simulates I/O signals of the

controllers as well as signals from field devices like actuators and sensors.

Simulation of failsafe and redundant applications as well as parallel operation with real field devices is possible with the SIMIT UNIT.

The SIMIT UNIT is completely integrated into the SIMIT portfolio. This provides the flexibility to switch between simulating your process with a real automation system and a virtual controller with only a few steps.

Your advantages

- Better quality control programs
- Simple and intuitive operation
- Reduced project time and cost through early error detection
- Fewer system failures and less downtime
- Improved safety for personnel and equipment
- Faster plant startup

Simulation of PROFINET IO

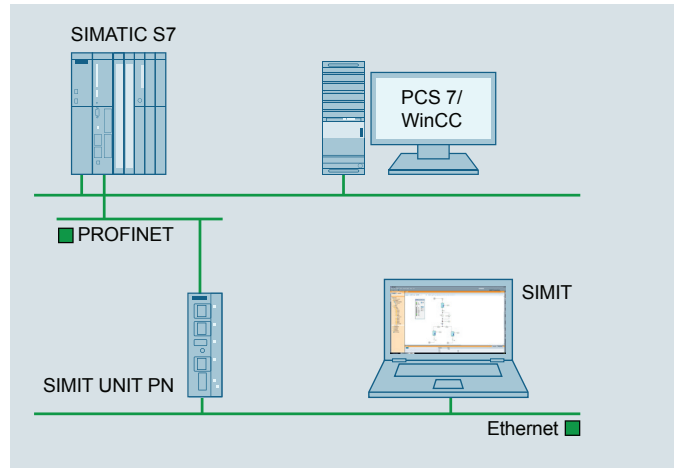
- One SIMIT UNIT PROFINET IO per controller required
- Simulation of up to 256 devices per controller
- Connection boxes available for 128 or 256 devices per controller
- Support of ET 200SP HA
- Support for CFU
- Support of R1 redundancy in the SIMIT UNIT PN 256
- Support process alarm PN
- Extends the HW-in-the-loop performance
- Improves the application possibilities of supported hardware

Simulation of PROFIBUS DP

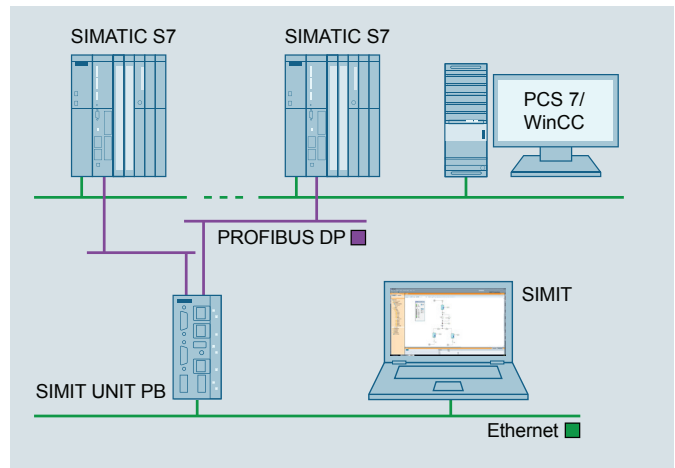
- Connection of up to 2 controllers to SIMIT with a SIMIT UNIT PROFIBUS DP
- 2 channels
- Simulation of max. 125 slaves per channel
- Process alarms, diagnostic alarms
- S7-specific PROFIBUS functions
- Redundant peripheral devices
- Failsafe modules

Ordering data

- SIMIT UNIT PB 2
2-channel with 12 Mbit/s
Article No.: 9AE4122-2AA00
- SIMIT UNIT PN 128
Max. 128 PROFINET I/O Devices
Article No.: 9AE4120-2AA00
- SIMIT UNIT PN 256
Max. 256 PROFINET I/O Devices
Article No.: 9AE4120-2AB00



Simulation of PROFINET IO



Simulation of PROFIBUS DP

Siemens Industry, Inc.
100 Technology Drive
Alpharetta, GA 30005
1-800-365-8766
info.us@siemens.com

Subject to change without prior notice.
Order No.: PAFL-00162-1217
All rights reserved
Printed in the USA
©2018 Siemens Industry, Inc.

The technical data presented in this document is based on an actual case or on as-designed parameters, and therefore should not be relied upon for any specific application and does not constitute a performance guarantee for any projects. Actual results are dependent on variable conditions. Accordingly, Siemens does not make representations, warranties, or assurances as to the accuracy, currency or completeness of the content contained herein. If requested, we will provide specific technical data or specifications with respect to any customer's particular applications. Our company is constantly involved in engineering and development. For that reason, we reserve the right to modify, at any time, the technology and product specifications contained herein.